



STEAM

EXCLUSIVE WELLNESS

CLEOPATRA
world of wellness

www.cleopatra.nl



Copyright © 2023 Cleopatra BV

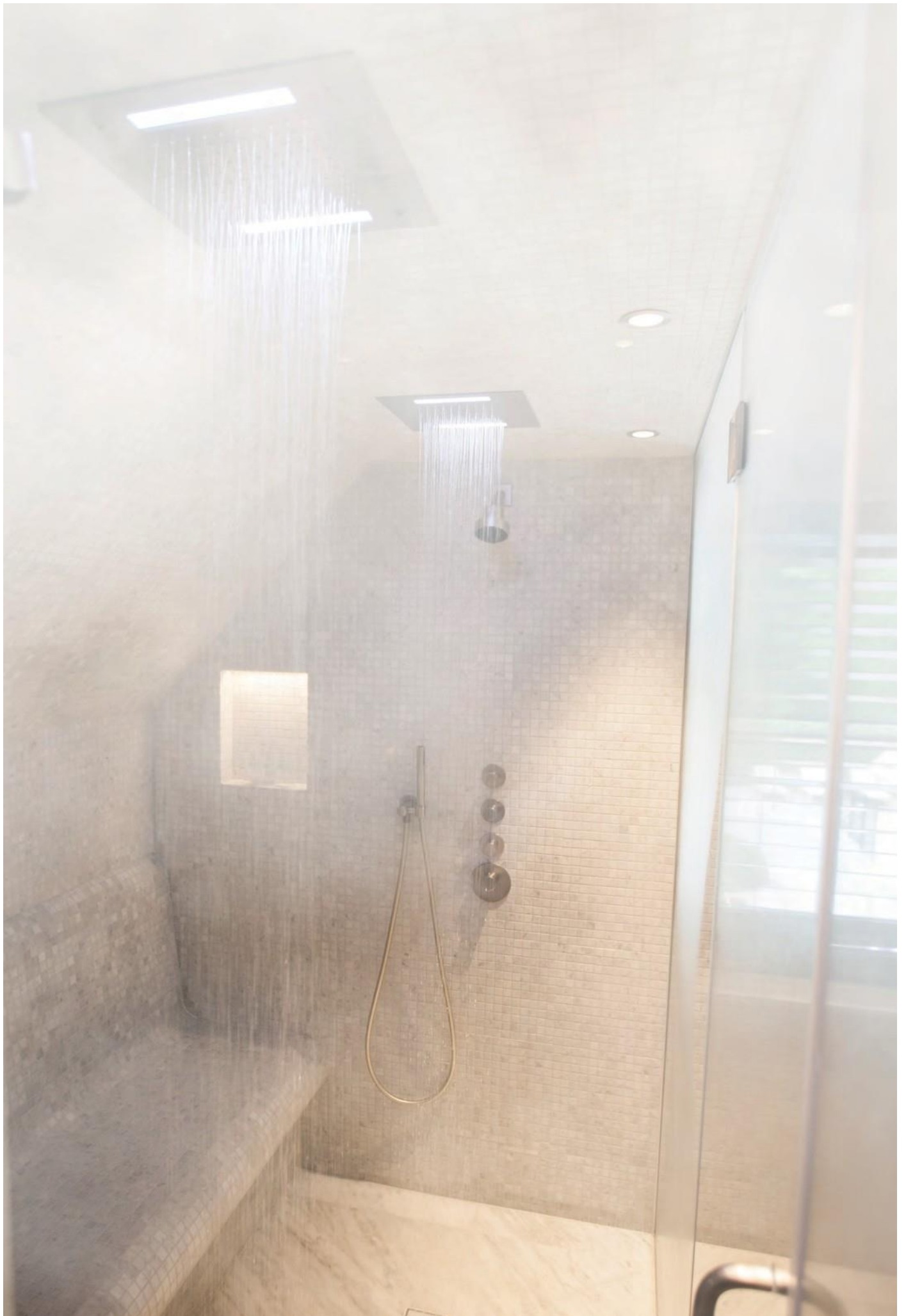
Cleopatra B.V.
Oostzijde 295
1508 EN Zaandam
Netherlands

www.cleopatra.nl
www.cleopatra-wellness.com

STEAM

TABLE OF CONTENTS

Steam a treat for body & mind	5	Spa Comfort	62
		Spa Cushions & Poufs	64
		Spa Seats & Lounge beds	66
External steam technology		Delta line	69
Cleo Steam One	6	Idaho 530	70
Cleo Steam Smart	8	Hawaii Twin 550	72
Cleo Steam Deluxe	10	Oregon Twin 560	74
		Colorado Twin 570	76
Sliding wall steam system	12	Versions	78
		Specifications	80
Ultrasteam	14		
Internal steam technology		Zeta line	83
Backwall Steam	16	Model 1	84
Backwall Steam & Shower	18	Model 2	86
		Model 3	88
Backwall Special	20	Model 4	90
		Versions	92
Overview of controls	22	Colours	94
		Specifications	96
Installation of external steam	24		
Installation checklist	26	Vogue line	99
Installation Backwall steam	28	Online configurator	100
		Models	102
Modular Steam	31	Specifications	104
I-Shape steam shower	32	Square bench	106
L-shape steam shower	36	Square bench XL	108
U-Shape steam shower	40	Double square bench XL	110
		Colours	114
Steambath door M1	44	Dimensions	116
Steambath window M1	46		
Full-glass door & window	48	Hamam	120
Colours	49	Inspiration	122
Steam bath roof flat	50	Checklist placement of cabins	126
Steam bath roof lowered	52		
Steam bath roof dome	54		
		Special finishes	128
Tileable benches	56		
Acrylic benches	58	Fragrances & perfumes	130
Options & specifications	60		



STEAM A BOOST FOR BODY AND SOUL

Ultimate relaxation is achieved by stimulating all your senses. In a Cleopatra steam shower, aromatherapy, chromotherapy, massage, music and steam come together and you experience a moment of 'ultimate relaxation'.

Benefits of a steam bath session:

- It promotes detoxification of the body through sweating. Toxins and waste products are thus effectively expelled.
- It cleanses and rejuvenates the skin. It moisturises the skin and improves elasticity. After a steam bath, the skin looks more radiant and healthy.
- It has a positive effect on the airways due to its high humidity. As a result, it can significantly alleviate ailments such as asthma, bronchitis, coughing and hoarseness.
- During a session in the steam room, you burn an average of 300 calories because the heat increases your heart rate. You also lose a lot of fluids. This is replenished by drinking water after steaming.
- During a session in a steam room, you can enjoy carefree relaxation. The warm in combination with the steam ensures relaxation of body and mind. This helps combat daily stress and tension.

Moreover, because a steam shower is an enclosed space, your bathroom stays dry. Ideal if you want to use the mirror after steaming or showering. Because the bathroom stays dry, you also increase the lifespan of your bathroom. The steam shower is also ideal if you want to turn your bathroom and the master bedroom into one.

After a steam session, you will feel energetic and vital. This is because a steam bath revitalises; it strengthens your immune system, has a beneficial effect on the cardiovascular system and restores the skin's natural moisture balance.

Whether it is a complete steam cabin, a hammam or just the steam technology; at Cleopatra you will find it all. Wellness specialist since 1966.

STEAM ONE

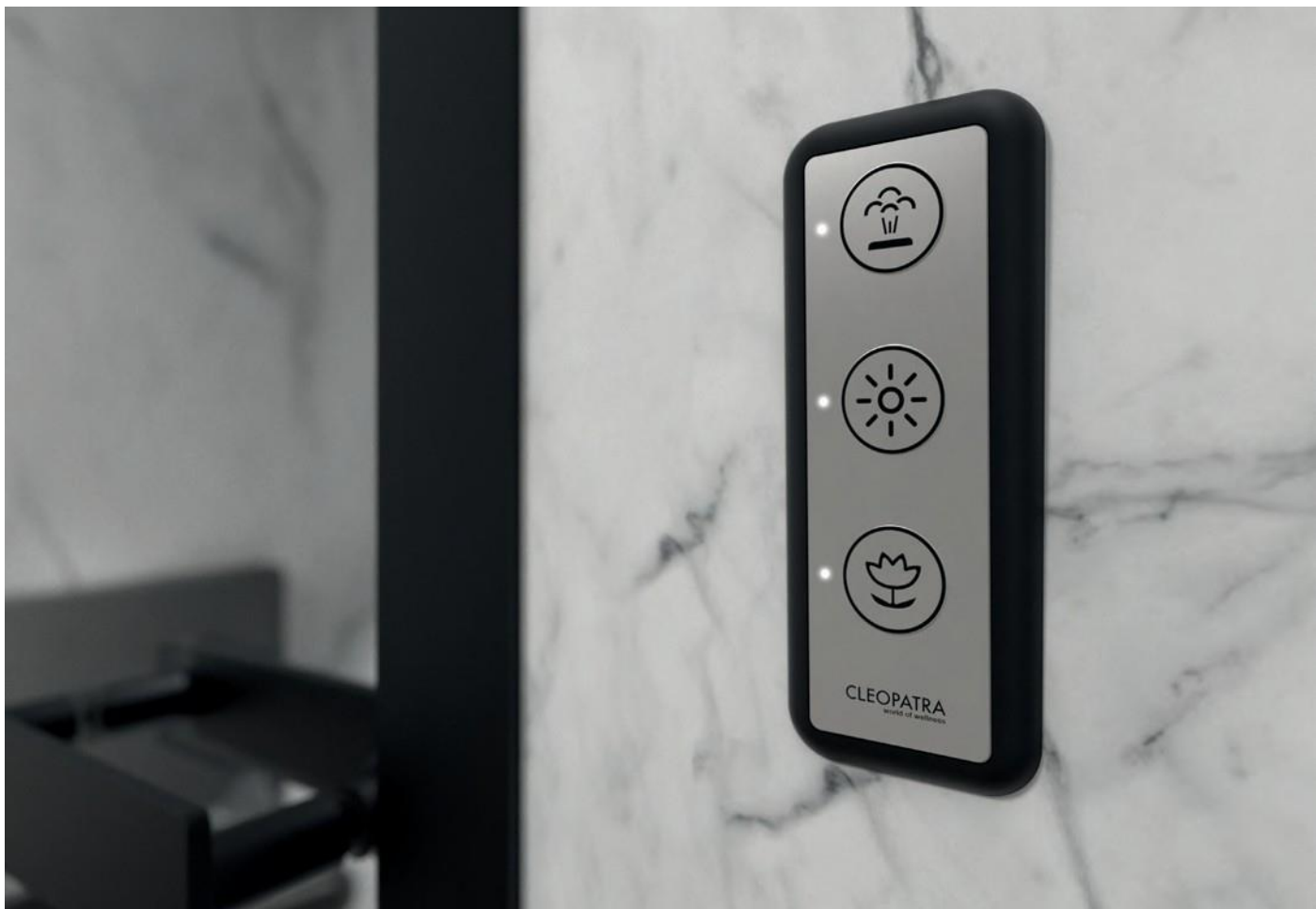
DESCRIPTION

- Available in 5 different capacities.
- Larger powers via master-slave.
- Fully pre-assembled
- Easy installation.
- Steam generator should be placed outside the cabin.
- Steam inlet in white, grey or black.

Article number	Implementation	
8100 10 00	Cleo Steam ONE	3.0 kW - 230 V
8100 10 05	Cleo Steam ONE	3.0 kW - 230 V (incl. fragrance dosing)
8100 10 10	Cleo Steam ONE	4.5 kW - 400 V / 2 x 230 V
8100 10 15	Cleo Steam ONE	4.5 kW - 400 V / 2 x 230 V (incl. fragrance dosing)
8100 10 20	Cleo Steam ONE	6.0 kW - 400 V / 2 x 230 V
8100 10 25	Cleo Steam ONE	6.0 kW - 400 V / 2 x 230 V (incl. fragrance dosing)
8100 10 30	Cleo Steam ONE	7.5 kW - 400 V
8100 10 35	Cleo Steam ONE	7.5 kW - 400 V (incl. fragrance dosing)
8100 10 40	Cleo Steam ONE	9.0 kW - 400 V
8100 10 45	Cleo Steam ONE	9.0 kW - 400 V (incl. fragrance dosing)

IMPORTANT

- Required kW = cabin height x width x length x 1.25 (dimensions in metres).
- Make sure the cabin is insulated according to regulations.
- Internal highest max. 220 cm.
- Check the water quality and presence of a water softener.
- Good steam production requires ventilation.

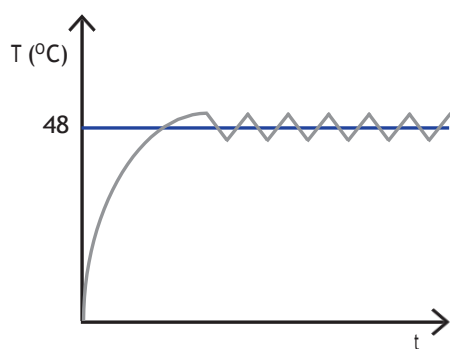


OPTIONAL

on / off

Article number	Version		
8100 50 00	White light LED spotlights (2 pieces)	Steam	✓
8100 50 05	Colour light LED spotlights (2 units)	White light LED spots*	✓
8100 50 10	Colour light LED strip RGB (5 metres)	Colour light LED	✓
8100 50 50	Water softener (incl. spare cartridge)	spots* Colour light LED	✓
		strip RGB*	✓
		Fragrance dosage*	

* optional



Temperature progression Steam ONE

The Cleo Steam One is a traditional steam unit: once 48 degrees Celsius is reached, steam production stops. When the temperature has dropped slightly, steam production is restarted. This causes small temperature fluctuations in the cabin.

Required kW = cabin height x width x length x 1.25 (dimensions in metres). Make sure the cabin is insulated according to regulations and has a maximum internal height of 220 cm. Ventilation is required for good steam production.

STEAM SMART

DESCRIPTION

- Available in 5 different capacities.
- Larger capacities possible by arrangement.
- Fully pre-assembled.
- Easy installation.
- Steam generator should be placed outside the cabin.
- Steam inlet in white, grey or black.

Article number	Implementation	
8100 20 00	Cleo Steam SMART	3.0 kW - 230 V
8100 20 05	Cleo Steam SMART	3.0 kW - 230 V (incl. fragrance dosing)
8100 20 10	Cleo Steam SMART	4.5 kW - 400 V / 2 x 230 V
8100 20 15	Cleo Steam SMART	4.5 kW - 400 V / 2 x 230 V (incl. fragrance dosing)
8100 20 20	Cleo Steam SMART	6.0 kW - 400 V / 2 x 230 V
8100 20 25	Cleo Steam SMART	6.0 kW - 400 V / 2 x 230 V (incl. fragrance dosing)
8100 20 30	Cleo Steam SMART	7.5 kW - 400 V
8100 20 35	Cleo Steam SMART	7.5 kW - 400 V (incl. fragrance dosing)
8100 20 40	Cleo Steam SMART	9.0 kW - 400 V
8100 20 45	Cleo Steam SMART	9.0 kW - 400 V (incl. fragrance dosing)

IMPORTANT

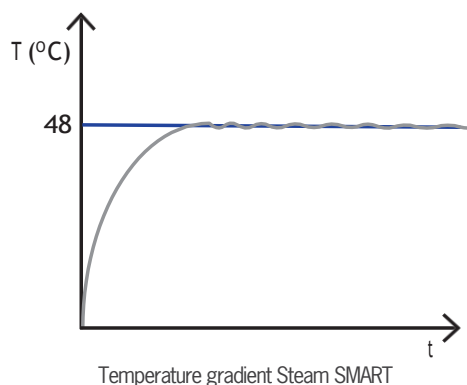
- Required kW = cabin height x width x length x 1.25 (dimensions in metres).
- Make sure the cabin is insulated according to regulations.
- Internal highest max. 220 cm.
- Check the water quality and presence of a water softener.
- Good steam production requires ventilation.



OPTIONAL

Article number	Version		on / off	intensity
8100 50 00	White light LED spotlights (2 pieces)	Steam	<input checked="" type="checkbox"/>	<input checked="" type="checkbox"/>
8100 50 05	Colour light LED spotlights (2 pieces)	White light LED spots*	<input checked="" type="checkbox"/>	<input checked="" type="checkbox"/>
8100 50 10	Colour light LED strip RGB (5 metres)	Colour light LED spots* Colour light LED strip RGB* Fragrance dosing* Ultrasteam*	<input checked="" type="checkbox"/>	<input checked="" type="checkbox"/>
8100 50 50	Water softener (incl. spare cartridge)		<input checked="" type="checkbox"/>	<input checked="" type="checkbox"/>
8100 50 60	Ultrasteam		<input checked="" type="checkbox"/>	<input checked="" type="checkbox"/>

* optional



The Cleo Steam Smart prevents large temperature fluctuations in the steam room. Steam production is constantly adjusted to the desired temperature. Using an easy-to-use touch panel, you can easily switch between the various functions and control the steam temperature, lighting, fragrance dosage and ultrasteam using the + and - buttons.

STEAM DELUXE

DESCRIPTION

- Available in 5 different capacities.
- Larger capacities possible by arrangement.
- Fully pre-assembled.
- Easy installation.
- Steam generator should be placed outside the cabin.
- Steam inlet in white, grey or black.

Article number	Implementation	
8100 45 00	Cleo Steam DELUXE	3.0 kW - 230 V
8100 45 05	Cleo Steam DELUXE	3.0 kW - 230 V (incl. fragrance dosing)
8100 45 10	Cleo Steam DELUXE	4.5 kW - 400 V / 2 x 230 V
8100 45 15	Cleo Steam DELUXE	4.5 kW - 400 V / 2 x 230 V (incl. fragrance dosing)
8100 45 20	Cleo Steam DELUXE	6.0 kW - 400 V / 2 x 230 V
8100 45 25	Cleo Steam DELUXE	6.0 kW - 400 V / 2 x 230 V (incl. fragrance dosing)
8100 45 30	Cleo Steam DELUXE	7.5 kW - 400 V
8100 45 35	Cleo Steam DELUXE	7.5 kW - 400 V (incl. fragrance dosing)
8100 45 40	Cleo Steam DELUXE	9.0 kW - 400 V
8100 45 45	Cleo Steam DELUXE	9.0 kW - 400 V (incl. fragrance dosing)

IMPORTANT

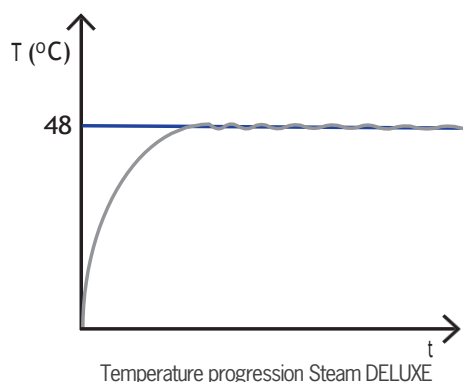
- Required kW = cabin height x width x length x 1.25 (dimensions in metres).
- Make sure the cabin is insulated according to regulations.
- Internal highest max. 220 cm.
- Check the water quality and presence of a water softener.
- Good steam production requires ventilation.



OPTIONAL

Article number	Version		on / off	intensity
		Steam	✓	✓
		White light LED spots*	✓	✓
		Colour light LED spots*	✓	✓
8100 50 00	White light LED spotlights (2 pieces)	Colour light LED spots*	✓	✓
8100 50 05	Colour light LED spotlights (2 pieces)	LED rails* Fragrance dosing*	✓	✓
8100 50 10	Colour light LED strip RGB (5 metres)	Ultrasteam*	✓	✓
8100 50 50	Water softener (incl. spare cartridge)	Multi-smell (3 scents)*	✓	✓
8100 50 60	Ultrasteam	Bluetooth sound module*	✓	✓
8100 50 65	Steam Sensation			
8100 50 70	Multi odour dust (3 fragrances)			
8100 50 80	Halotherapy team (steam in salt).			
8100 50 90	Sound module (bluetooth + 2 speakers)			

* optional



The Cleo Steam Deluxe prevents large temperature fluctuations in the steam room. Steam production is constantly adjusted to the desired temperature. With the Steam Deluxe, you can control every conceivable wellness option. Aromatherapy, colour therapy, halotherapy, music and much more.

SLIDING WALL STEAM SYSTEM

DESCRIPTION

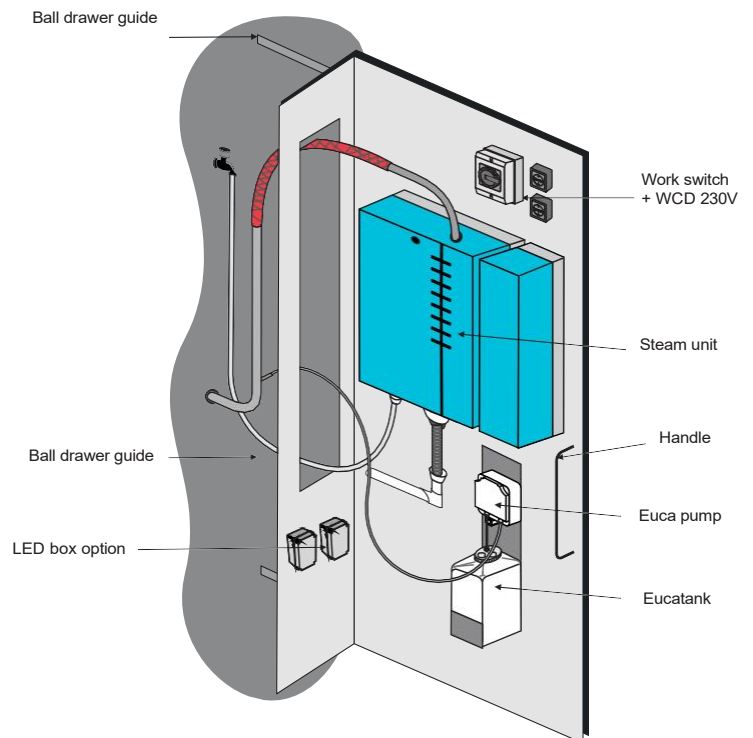
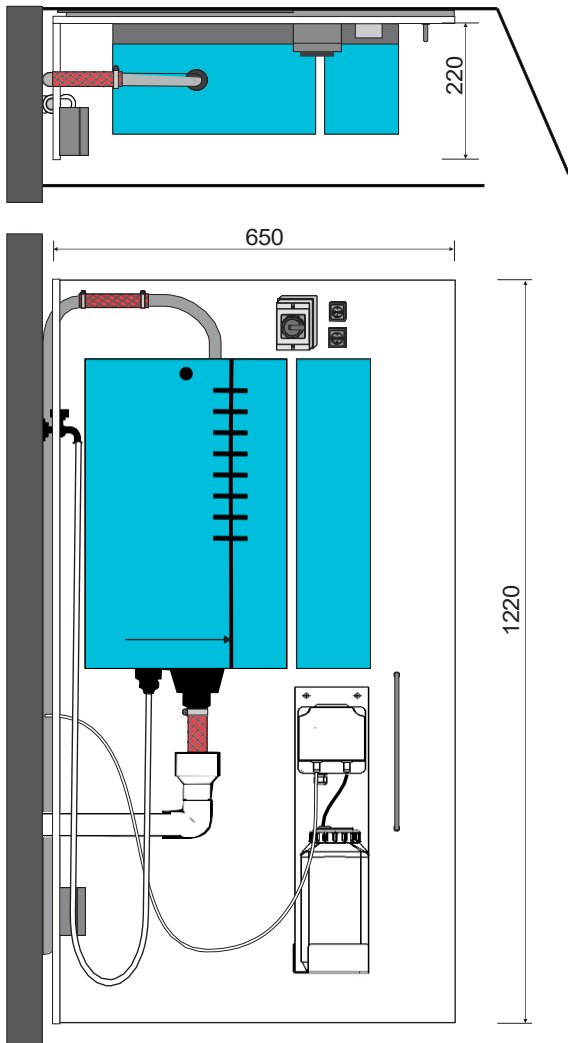
- Sliding wall system for Cleopatra steam generators.
- For mounting in a cabinet or technical room.
- Completely pre-assembled with chosen technology (One, Smart or Deluxe).

ARTICLE INFORMATION

Sliding wall steam technology

8100 51 00





SLIDING WALL STEAM TECHNOLOGY

Any Cleopatra steam generator can be mounted on the sliding panel. Thanks to the guide system on the back of the panel, the technology is easy to extract. This allows it to be suspended in a limited space, making service and maintenance easy.

The following connections should be available for installation of the sliding wall:

- Electricity provision.
- Water connection.
- Heat-resistant drain.
- Steam pipe Ø28 mm.

ULTRASTEAM

DESCRIPTION

The Ultrasteam™ generator was conceived and designed to deliver the ultimate steam experience: thick clouds of steam and a wonderful temperature of around 48 degrees Celsius.

The Ultrasteam generator can cooperate with various Cleopatra steam generators, making it also possible to connect the Ultrasteam to existing installations.

SAVE ENERGY

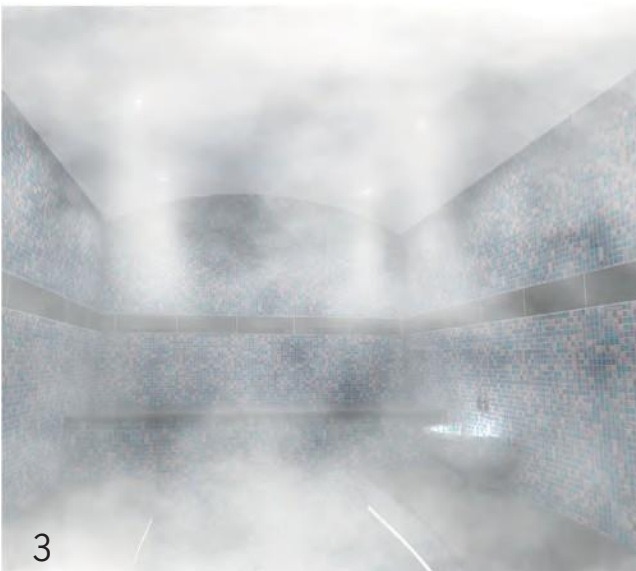
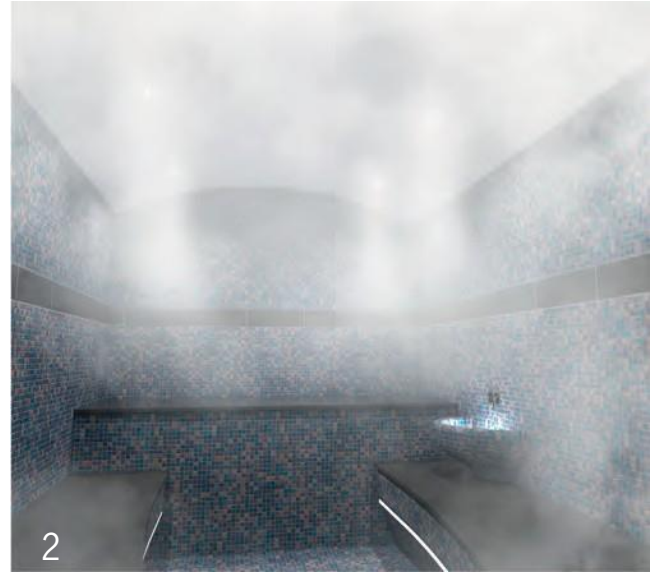
For hotels, public swimming pools and public places, it is possible to save significantly on energy costs using standby control with pressure head.

The Ultrasteam and Cleopatra steam generators can be adjusted to produce a short heat-up time and full clouds of steam. This eliminates the need to run the installation all day. This saves on maintenance and energy costs.

Article number	Description
8100 50 60	Ultrasteam (230V)

ULTRASTEAM IN 4 IMAGES

Depending on the power [kW] of the steam generator, a thick layer of steam can be built up in the cabin faster or less quickly. A unique experience in which, due to the high humidity, fragrances and light effects are maximised.



OPERATION

The Ultrasteam™ generator produces very fine cold water droplets, which are blown into the cabin by a fan. As soon as these water droplets come into contact with hot steam, an accelerated condensation process starts: this creates thick clouds of steam.

Depending on the control and steam generator chosen, it is possible to run the Ultrasteam continuously or partially in the steam process.

The Ultrasteam uses water filters to ensure optimum water hygiene. After use, the Ultrasteam generator empties itself so that no residual water remains.

To connect the ultrasteam generator, you only need a cold water connection, drain and an electricity connection (230 V - 1N).

The Ultrasteam is optional with the Steam Smart and Steam Deluxe. Here you can see an impression of how the Ultrasteam works.

BACKWALL STEAM

DESCRIPTION

Creating a space where the steam or wellness generator is placed is not a must: it is also possible to place the generator inside the cabin. Discover the Cleopatra Backwall: an aesthetic solution that greatly simplifies the installation of the generator, possibly with full shower.

- Available in 5 different capacities.
- Fully pre-assembled on aluminium frame.
- Version with Steam One, Smart or Deluxe.
- Steam inlet and glass cover in white, grey or black.

Article number	Implementation	
8100 61 00	Backwall Steam One	3.0 kW - 230V
8100 61 10	Backwall Steam One	4.5 kW - 400V / 2 x 230V
8100 61 20	Backwall Steam One	6.0 kW - 400V / 2 x 230V
8100 61 30	Backwall Steam One	7.5 kW - 400V
8100 61 40	Backwall Steam One	9.0 kW - 400V

Article number	Implementation	
8100 60 00	Backwall Steam Smart	3.0 kW - 230V
8100 60 10	Backwall Steam Smart	4.5 kW - 400V / 2 x 230V
8100 60 20	Backwall Steam Smart	6.0 kW - 400V / 2 x 230V
8100 60 30	Backwall Steam Smart	7.5 kW - 400V
8100 60 40	Backwall Steam Smart	9.0 kW - 400V



Article number	Implementation	
8100 60 50	Backwall Steam Deluxe	3.0 kW - 230V
8100 60 60	Backwall Steam Deluxe	4.5 kW - 400V / 2 x 230V
8100 60 70	Backwall Steam Deluxe	6.0 kW - 400V / 2 x 230V
8100 60 80	Backwall Steam Deluxe	7.5 kW - 400V
8100 60 90	Backwall Steam Deluxe	9.0 kW - 400V

Colour glass plate and steam inlet (order separately):

8100 40 60	Cover plate and steam inlet colour white
8100 40 70	Cover plate and steam inlet colour anthracite
8100 40 80	Cover plate and steam inlet colour grey

	Standard
Mounting frame	✓
Generator Odour	✓
metering Building	✓
board	✓

Required kW = cabin height x width x length x 1.25 (dimensions in metres). Make sure the cabin is insulated according to regulations and has a maximum internal height of 220 cm. Ventilation is required for good steam production.

BACKWALL STEAM & SHOWER

DESCRIPTION

Creating a space where the steam or wellness generator is placed is not a must: it is also possible to place the generator inside the cabin. Discover the Cleopatra Backwall: an aesthetic solution that greatly simplifies the installation of the generator, possibly with full shower.

- Available in 5 different capacities.
- Fully pre-assembled on aluminium frame.
- Version with Steam Deluxe.
- Steam inlet and glass cover in white, grey or black.
- Fitted with thermostatic tap and hand shower.
- The Plus version also has a roof shower.

Standard

Mounting frame



Generator



Odour metering



Building board



Required kW = cabin height x width x length x 1.25 (dimensions in metres). Make sure that the cabin is insulated according to regulations and has a maximum internal height of 220 cm. Ventilation is required for good steam production.

Article number	Implementation	
8100 80 00	Backwall Steam & Shower Deluxe	3.0 kW - 230V
8100 80 10	Backwall Steam & Shower Deluxe	4.5 kW - 400V / 2 x 230V
8100 80 20	Backwall Steam & Shower Deluxe	6.0 kW - 400V / 2 x 230V
8100 80 30	Backwall Steam & Shower Deluxe	7.5 kW - 400V
8100 80 40	Backwall Steam & Shower Deluxe	9.0 kW - 400V
8100 80 50	Backwall Steam & Shower Deluxe Plus	3.0 kW - 230V
8100 80 60	Backwall Steam & Shower Deluxe Plus	4.5 kW - 400V / 2 x 230V
8100 80 70	Backwall Steam & Shower Deluxe Plus	6.0 kW - 400V / 2 x 230V
8100 80 80	Backwall Steam & Shower Deluxe Plus	7.5 kW - 400V
8100 80 90	Backwall Steam & Shower Deluxe Plus	9.0 kW - 400V



Colour glass plate and steam inlet (order separately):

- 8100 40 60 Cover plate and steam inlet colour white
- 8100 40 70 Cover plate and steam inlet colour anthracite
- 8100 40 80 Cover plate and steam inlet colour grey

OPTIONAL

Article number	Version		on / off	intensity
		Steam	✓	✓
8100 50 00	White light LED spotlights (2 pieces)	White light LED spots*	✓	✓
8100 50 05	Colour light LED spotlights (2 units)	Colour light LED spots*	✓	✓
8100 50 10	Colour light LED strip RGB (5 metres)	Colour light LED spots*	✓	✓
8100 50 50	Water softener (incl. spare cartridge)	LED rails* Fragrance dosage*	✓	✓
8100 50 70	** Multi fragrance (3 scents)	Multi-odour (3 fragrances)*	✓	✓
8100 50 80	** Halotherapy team (steam in salt)	Sound module bluetooth*	✓	✓
8100 50 90	Sound module (bluetooth + 2 speakers)			

** external placement; does not fit behind backwall frame

* optional

BACKWALL STEAM SPECIAL

DESCRIPTION

Creating a space where the steam or wellness generator is placed is not a must: it is also possible to place the generator inside the cabin. Discover the Cleopatra Backwall Special: compared to the Backwall, the steam inlet is not positioned under the glass panel. As with external steam technology, you can leave the steam inlet there to where you want it. The service hatch with glass plate can thus also be placed above a bench.

- Available in 5 different capacities.
- Fully pre-assembled on aluminium frame.
- Version with One, Smart or Deluxe.
- Glass cover in white, grey or black.
- Includes separate steam inlet in white, grey or black.

Article number	Implementation	
8100 62 00	Backwall Steam Special One	3.0 kW - 230V
8100 62 10	Backwall Steam Special One	4.5 kW - 400V / 2 x 230V
8100 62 20	Backwall Steam Special One	6.0 kW - 400V / 2 x 230V
8100 62 30	Backwall Steam Special One	7.5 kW - 400V
8100 62 40	Backwall Steam Special One	9.0 kW - 400V

Article number	Implementation	
8100 62 50	Backwall Steam Special Smart	3.0 kW - 230V
8100 62 60	Backwall Steam Special Smart	4.5 kW - 400V / 2 x 230V
8100 62 70	Backwall Steam Special Smart	6.0 kW - 400V / 2 x 230V
8100 62 80	Backwall Steam Special Smart	7.5 kW - 400V
8100 62 90	Backwall Steam Special Smart	9.0 kW - 400V



Article number	Implementation	
8100 63 00	Backwall Steam Special Deluxe	3.0 kW - 230V
8100 63 10	Backwall Steam Special Deluxe	4.5 kW - 400V / 2 x 230V
8100 63 20	Backwall Steam Special Deluxe	6.0 kW - 400V / 2 x 230V
8100 63 30	Backwall Steam Special Deluxe	7.5 kW - 400V
8100 63 40	Backwall Steam Special Deluxe	9.0 kW - 400V

Colour glass plate and steam inlet (order separately):






8100 40 60	Cover plate and steam inlet colour white
8100 40 70	Cover plate and steam inlet colour anthracite
8100 40 80	Cover plate and steam inlet colour grey

	Standard
Mounting frame	✓
Generator Odour	✓
metering Building	✓
board	✓

Required kW = cabin height x width x length x 1.25 (dimensions in metres). Make sure the cabin is insulated according to regulations and has a maximum internal height of 220 cm. Ventilation is required for good steam production.

OVERVIEW CONTROLS

STEAM

	on / off
Steam	
White light LED spots*	
Colour light LED spots*	
Colour light LED strip RGB*	
Fragrance dosage*	

* optional

ONESTEAM SMART

	on / off	intensity
Steam		
White light LED spots*		
Colour light LED spots*		
Colour light LED strip RGB*		
Fragrance dosing*		
Ultrasteam*		

* optional



115 x 45 x 7 (D) mm



166 x 61 x 7 (D) mm

STEAM DELUXE

	on / off	intensity
Steam	✓	✓
White light LED spots*	✓	✓
Colour light LED spots*	✓	✓
Colour light LED strip RGB*	✓	✓
Fragrance dosing*	✓	✓
Ultrasteam*	✓	✓
Multi fragrance (3 fragrances)*	✓	✓
Halosteam*	✓	✓
Bluetooth sound module*	✓	✓
Steam Sensation*		

* optional



102 x 87 x 4 (D) mm

OPTIONS



White light LED spotlight

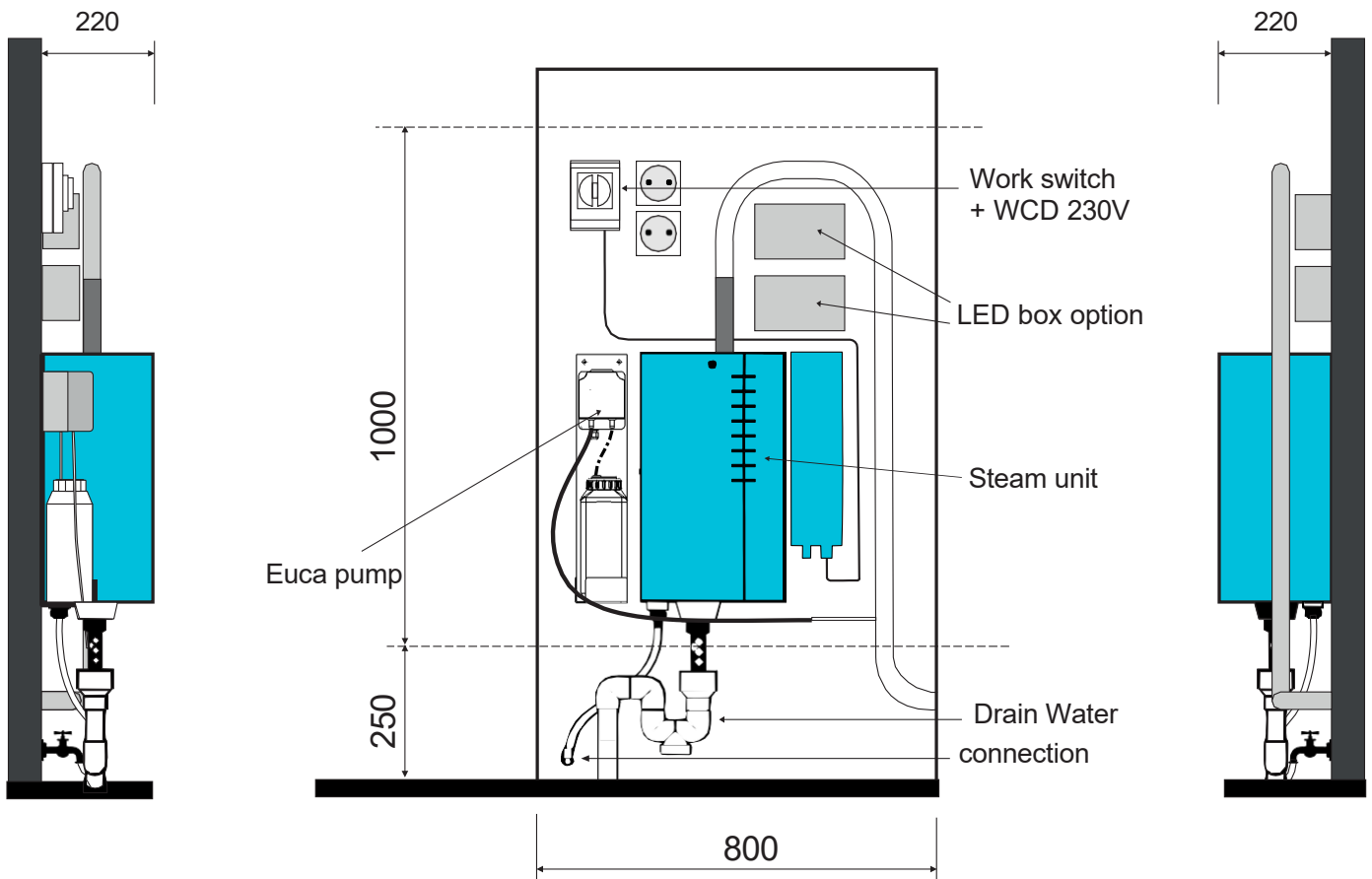


Colour light LED spotlight RGB



Colour light LED strip RGB

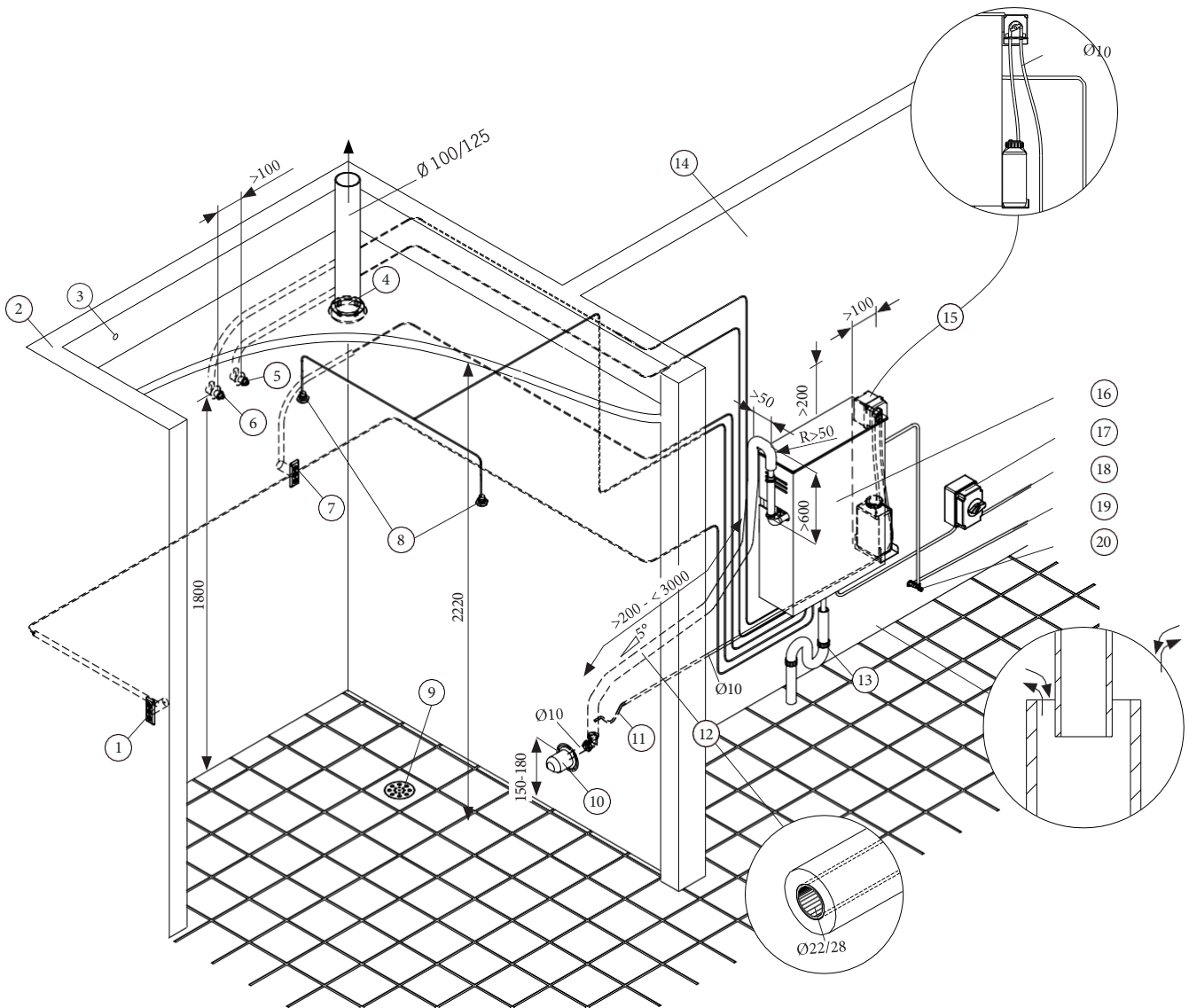
INSTALLATION EXTERNAL STEAM GENERATORS



SET-UP STEAM TECHNOLOGY

Ensure that the steam technology remains accessible at all times; the above arrangement shows possible installation dimensions. Depending on the options chosen, more provision may be required.

Before installing the steam generator, ensure that all built-in parts have been properly incorporated. Consult the relevant manual for this. The manuals can be downloaded online.



Dimensions are in millimetres

- 1 Control panel (outside cabin).
- 2 Insulated walls, 20 mm building board or insulating material.
- 3 Roof/ceiling connection for roof shower.
- 4 Ventilation (natural or mechanical), do not place above steam inlet.
- 5 Temperature sensor (do not place above steam inlet).
- 6 Safety sensor (do not place above steam inlet).
- 7 Control panel (inside cabin - do not place above steam inlet).
- 8 LED spotlights.
- 9 Floor drain cabin.
- 10 Steam inlet.
- 11 Eucastuk (tbv fragrance dosing - must remain accessible).
- 12 Hard copper steam pipe insulated Ø28 mm.
- 13 Heat-resistant siphon.
- 14 Technical room (ventilated).
- 15 Fragrance pump and reservoir.
- 16 Steam generator.
- 17 Work switch for connecting power steam generator.
- 18 Power supply 230V or 400V (depending on power requirements).
- 19 Water supply.
- 20 Corner stop 1/2".

CHECKLIST FOR INSTALLATION

SPACE ABOVE THE CABIN

For connection of ventilation and lighting, add at least 150 mm to the net height dimension.

FLOOR & DRAINING

A small recess is kept under the door of the steam room to allow air to be sucked in. Make sure that the floor drains sufficiently to drain shower water. Recommendation: under the glass door, make a low sill that runs slightly inwards, so that the condensation water from the door runs back into the cabin. To protect the tiling, the drain channel should preferably be placed below the steam inlet.

NATURAL VENTILATION

Provide ventilation in roof or high in cabin wall. Or natural or mechanical ventilation in low position. Do not place the vent above the steam inlet.

ELECTRICITY AND WATER

Steam generator power calculation: cabin length x width x height (max 220 cm) x 1.25 up to a cabin volume of 7.2 m³. Above this volume, it is possible to order a slave generator (3, or 6kW). When choosing power if there is a glass front, be sure not to round down.

For a 3 kW steam generator, a 230 V connection is sufficient, from 4.5 kW onwards 400 V or 2x 230 V is required. Depending on the chosen generator and lights, it must be determined whether the lights are controlled by the generator or whether a second power supply is required for the lights. We will be happy to advise you on this. Dimensions of the generators apply to all outputs; steam pipe and built-in parts are 28 mm.

The following are needed at the generator site: water, heat-resistant siphon, working switch and electric power supply. The water pressure should be normal. In case of hard water, it is recommended to install a water softener in front of the steam generator.

PIPE FROM THE GENERATOR

If an external steam generator is used, the steam pipe from generator to steam inlet should be max. 3.5 m. From the steam generator, the pipe should first rise (45 cm) and then slope down towards the steam inlet. The steam pipe should be insulated, bend bends - do not use kinks and make wide bends.

CONNECTION PIECE FRAGRANCE

If fragrance dosing has been chosen: the connection piece should remain accessible and be mounted in the part of the steam pipe that runs downhill with a slope. This ensures that the fragrance can never enter the steam generator.

GUARANTEE

All Cleopatra generators come with a 2-year manufacturer's warranty as standard.

DIMENSIONS

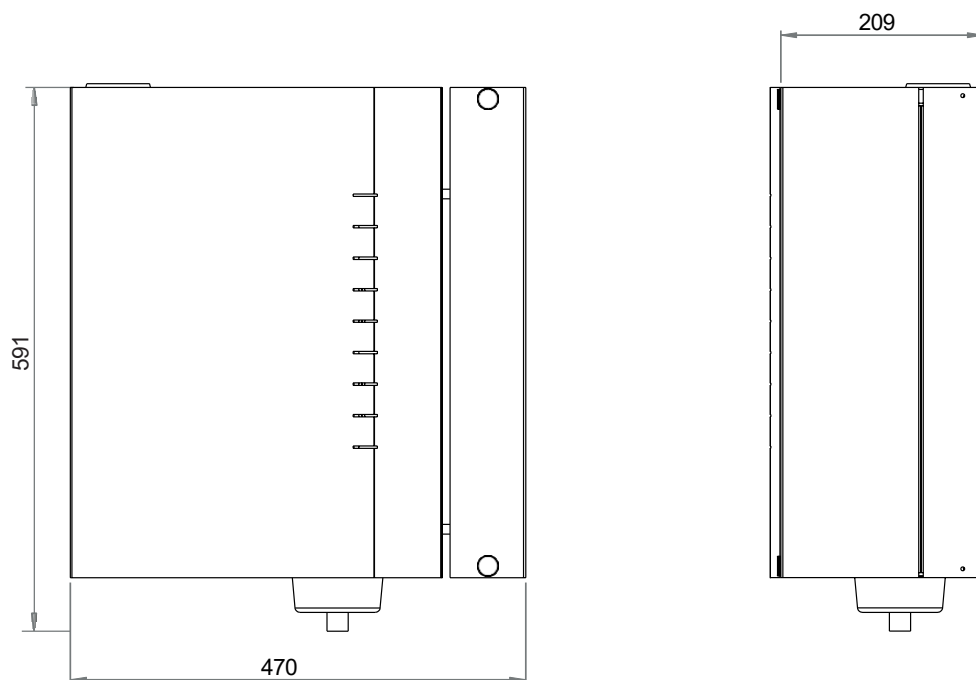
WATER QUALITY GUIDELINES

Water quality is important for the durability of steam generator; this is an important parameter. Besides this parameter, other factors such as oxygen, combination of different types of metals, acids or bases and material types used directly affect the generator.

Water quality guidelines:

- PH: 7.5 - 9.5
- Chloride: max. 50 mg/L
- Conductivity: 150 - 350 uS/cm
- Hydrogen carbonate: 80 - 100 mg/L (HCO₃)
- Hardness: 2 - 4 d^hO C

NET SIZES STEAM ONE, SMART & DELUXE



(dimensions in mm) front view

side view

WORKABLE SPACE EXTERNAL STEAM TECHNOLOGY

As a workable space, we use at least 15 cm around the generator (w x h x d). The steam generator should be accessible from the front.

INSTALLATION BACKWALL

BACKWALL FRAME PLACEMENT

Ensure that the steam technology is accessible at all times for maintenance and/or service via the cover plate. Note that the water softener and the multi-purge fabric must be placed externally; they do not fit behind the backwall frame.

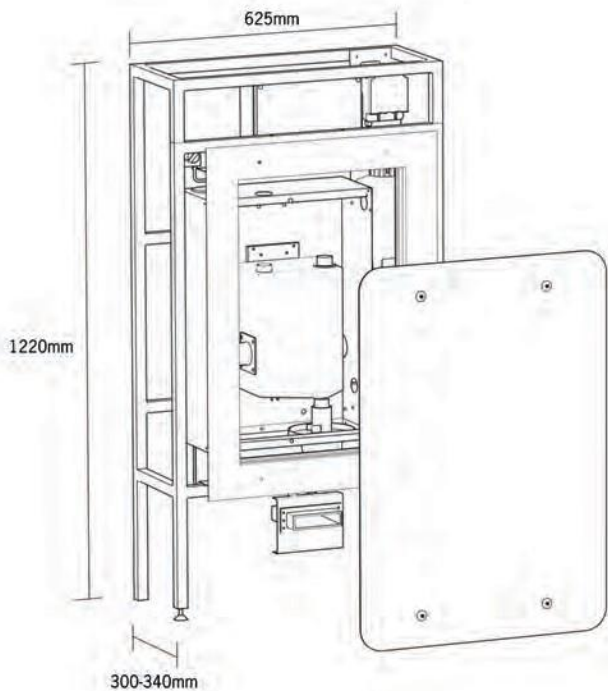
ELECTRICITY AND WATER

Steam generator power calculation: cabin length x width x height (max 220 cm) x 1.25 up to a cabin volume of 7.2 m³. Above this volume, it is possible to order a slave generator (3, or 6kW). When choosing power if there is a glass front, be sure not to round down.

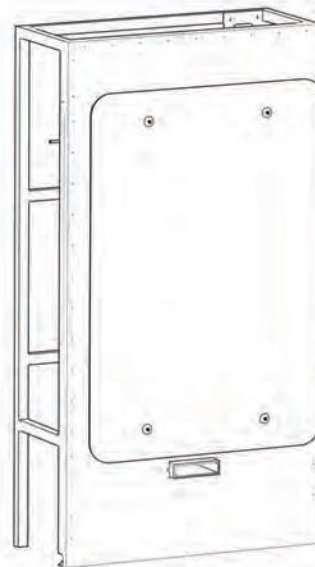
For a 3 kW steam generator, a 230 V connection is sufficient; from 4.5 kW onwards, 400 V or 2x 230 V is required. Depending on the chosen generator and lighting, it must be determined whether the light is controlled by the generator or whether a second power supply is required for the lighting.

The following are needed at the frame site: water, isolating switch and electrical supply. The water pressure should be normal. With hard water, it is recommended to install a water softener in front of the steam generator.

BACKWALL STEAM & STEAM SPECIAL

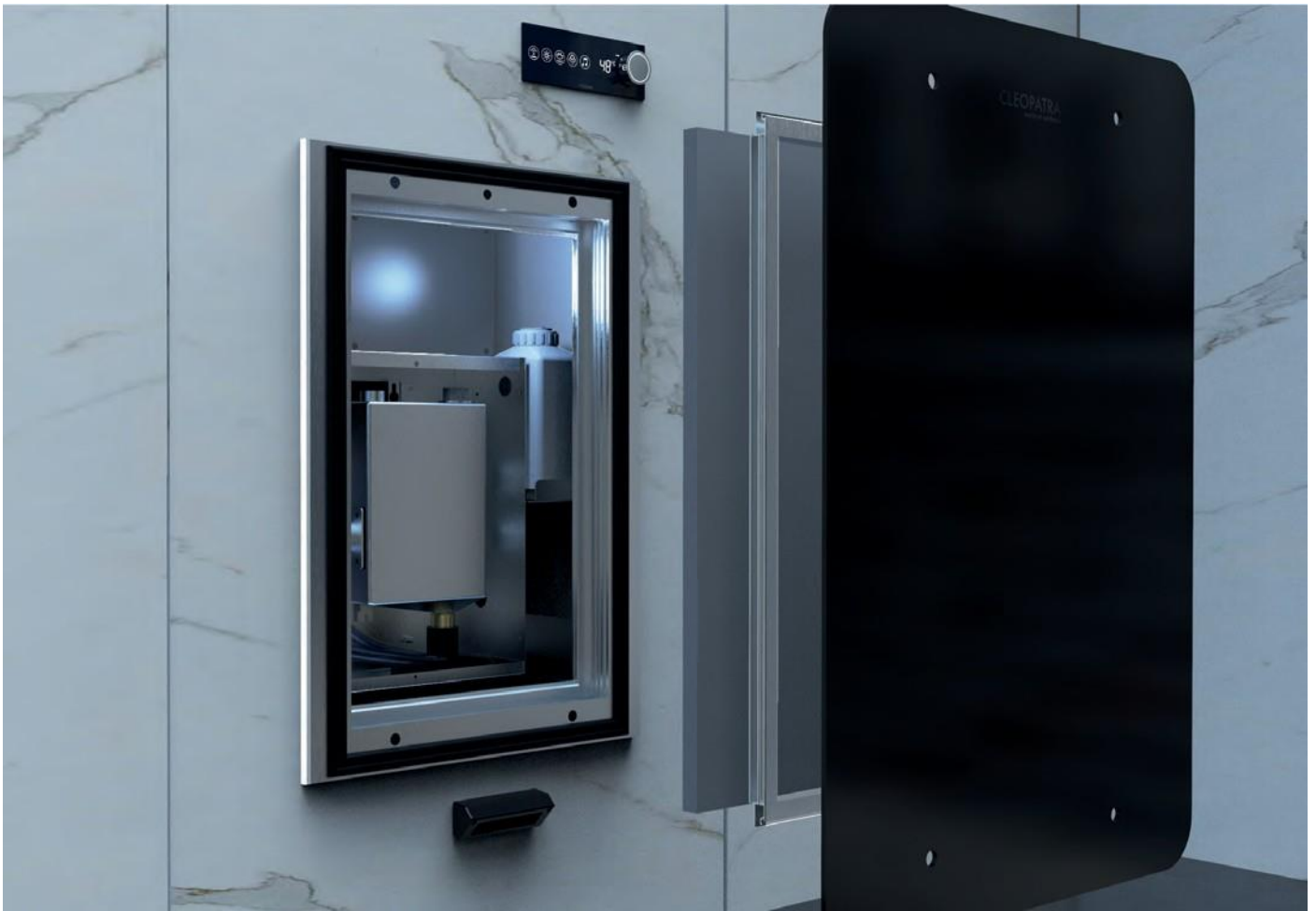


BackWall without building board.
Maximum thickness of finish including tile is 30 mm.

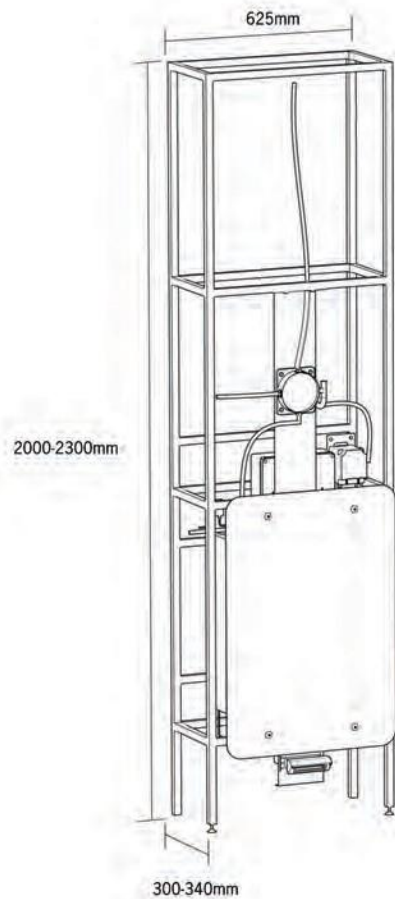


BackWall with building board. Maximum thickness of finish including tile is 10 mm.

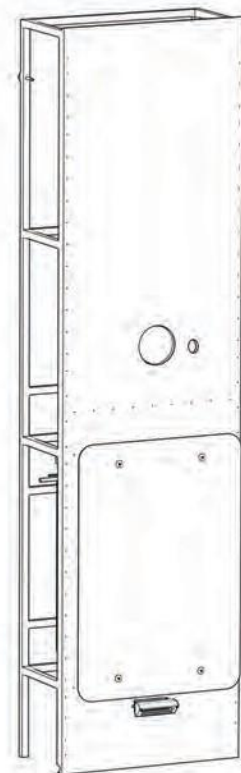
* For the backwall Steam Special, a copper pipe should be made from the engineering to the steam inlet.



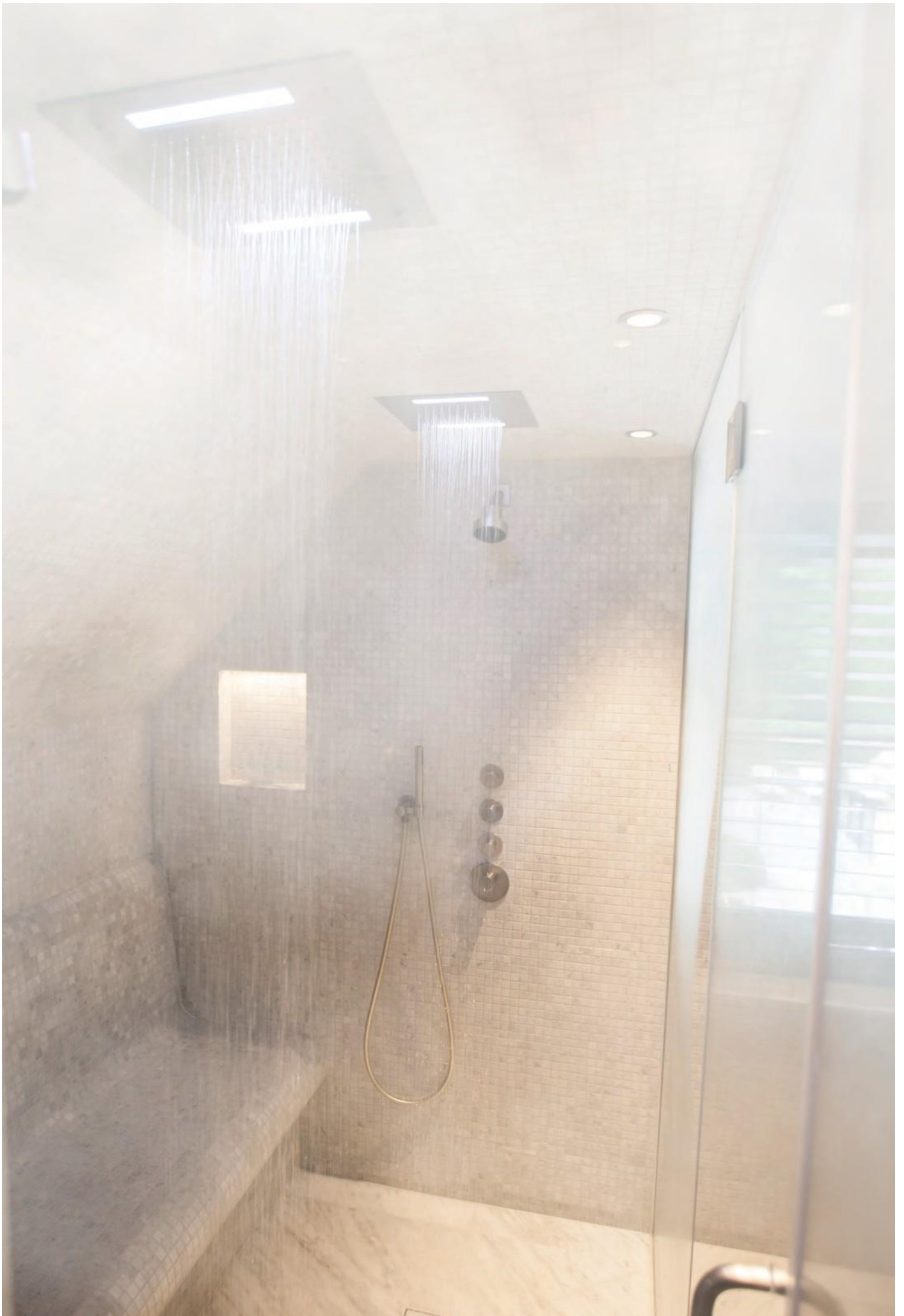
BACKWALL STEAM & SHOWER



BackWall without building board. Maximum thickness of finish including tile is 30 mm.



BackWall with building board. Maximum thickness of finish including tile is 10 mm.



MODULAR STEAM

Ultimate relaxation is achieved by stimulating all your senses. In a Cleopatra steam shower, aromatherapy, chromotherapy, massage, music and steam come together and you experience a moment of 'ultimate relaxation'. Afterwards, you feel energetic and vital. A steam session revitalises namely; it strengthens your immune system, has a beneficial effect on hard and blood vessels and restores the skin's natural moisture balance.

Moreover, because a steam shower is an enclosed space, your bathroom stays dry. Ideal if you want to use the mirror after steaming or showering. In addition, because the bathroom stays dry, you increase the life of your bathroom. The steam shower is also ideal if you want to turn your bathroom and master bedroom into one.

With the modular steam products, you put together your own architectural steam room.

- Tiled steam bath benches.
- Steam room roof.
- Glass shower steam rooms.
- Doors.
- Windows.
- Seat elements made of acrylic.
- Customised glass.

Before realising an architectural steam bath, always get advice. Send us a drawing and or make an appointment at Cleopatra's showroom.

I-SHAPE STEAM SHOWER CABINS

FEATURES

- Niche (I-shape) variant.
- Glass panels with narrow wall profiles, chrome-plated as standard.
- Luxury handle, hinges and floor clips chrome-plated as standard.
- Colour parts available at extra cost in stainless steel look or matt black.
- Cab design: roof and glass coupled.
- Glass colours choice of clear, bronze or grey.
- Flat steam bath roof made of insulating material. Standard white (RAL 9016) - Other RAL colours possible.

CABINE I-SHAPE

Up to 1000 x 1000 mm
 Up to 1200 x 1000 mm
 Up to 1400 x 1000 mm
 Up to 1600 x 1000 mm
 Up to 1800 x 1000 mm
 Up to 1000 x 1200 mm
 Up to 1200 x 1200 mm
 Up to 1400 x 1200 mm
 Up to 1600 x 1200 mm
 Up to 1800 x 1200 mm

GLASS & ROOF CONNECTED

2109 80 00
 2109 80 01
 2109 80 02
 2109 80 03
 2109 80 04
 2109 80 05
 2109 80 06
 2109 80 07
 2109 80 08
 2109 80 09



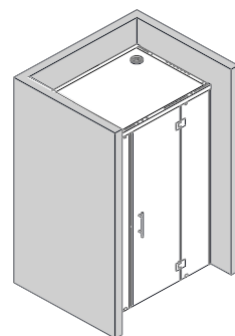
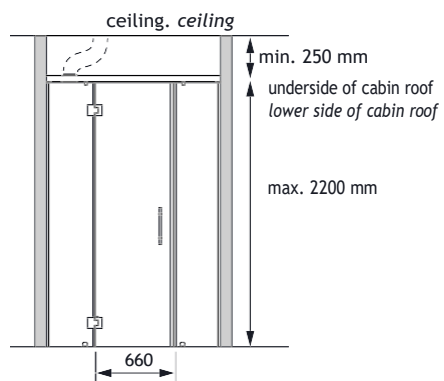
Other dimensions on request

OPTIONS

Surcharge for roof in RAL colour - other than RAL 9016	2109 50 05
Surcharge for colour parts in stainless steel look	2109 50 10
Shared colour parts in matt black	2109 50 15



EXAMPLE INSTALLATION: CABIN ROOF LINKED TO GLASS FRONT.



Other dimensions on request

I-SHAPE

STEAM SHOWER CABINS TRAVERSE

FEATURES

- Niche (I-shape) variant.
- Glass panels with narrow wall profiles, chrome-plated as standard.
- Luxury handle, hinges and floor clips chrome-plated as standard.
- Colour parts available at extra cost in stainless steel look or matt black.
- Cab design: roof built in between walls; glass under a traverse.
- Glass colours choice of clear, bronze or grey.
- Flat steam bath roof made of insulating material. Standard white (RAL 9016) - Other RAL colours possible.

CABINE I-SHAPE

Up to 1000 x 1000 mm
 Up to 1200 x 1000 mm
 Up to 1400 x 1000 mm
 Up to 1600 x 1000 mm
 Up to 1800 x 1000 mm
 Up to 1000 x 1200 mm
 Up to 1200 x 1200 mm
 Up to 1400 x 1200 mm
 Up to 1600 x 1200 mm
 Up to 1800 x 1200 mm

TRAVERSE

2109 85 00
 2109 85 02
 2109 85 04
 2109 85 06
 2109 85 08
 2109 85 10
 2109 85 12
 2109 85 14
 2109 85 16
 2109 85 18



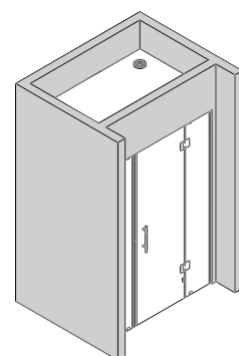
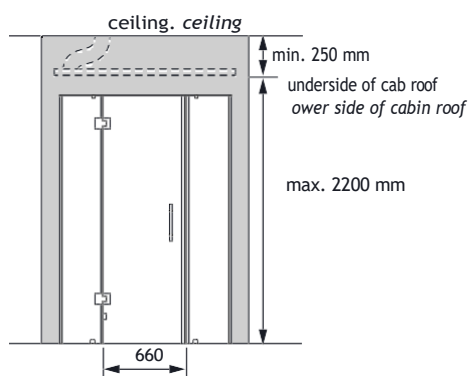
Other dimensions on request

OPTIONS

Surcharge for roof in RAL colour - other than RAL 9016	2109 50 05
Surcharge for colour parts in stainless steel look	2109 50 10
Shared colour parts in matt black	2109 50 15



EXAMPLE INSTALLATION: BUILT-IN CABIN ROOF.



Other dimensions on request

L-SHAPE STEAM SHOWER CABINS

FEATURES

- Corner (L-shape) variant.
- Glass panels with narrow wall profiles, chrome-plated as standard.
- Luxury handle, hinges and floor clips chrome-plated as standard.
- Colour parts available at extra cost in stainless steel look or matt black.
- Cab design: roof and glass coupled.
- Glass colours choice of clear, bronze or grey.
- Flat steam bath roof made of insulating material. Standard white (RAL 9016) - Other RAL colours possible.

ARTICLE INFORMATION

Up to 1000 x 1000 mm
 Up to 1200 x 1000 mm
 Up to 1400 x 1000 mm
 Up to 1600 x 1000 mm
 Up to 1800 x 1000 mm
 Up to 1000 x 1200 mm
 Up to 1200 x 1200 mm
 Up to 1400 x 1200 mm
 Up to 1600 x 1200 mm
 Up to 1800 x 1200 mm

GLASS & ROOF CONNECTED

2109 80 10
 2109 80 11
 2109 80 12
 2109 80 13
 2109 80 14
 2109 80 15
 2109 80 16
 2109 80 17
 2109 80 18
 2109 80 19



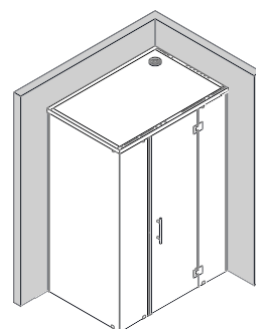
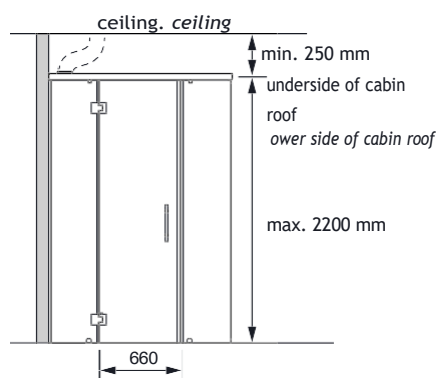
Other dimensions on request

OPTIONS

Surcharge for roof in RAL colour - other than RAL 9016	2109 50 05
Surcharge for colour parts in stainless steel look	2109 50 10
Shared colour parts in matt black	2109 50 15



EXAMPLE INSTALLATION: CABIN ROOF LINKED TO GLASS FRONT.



Other dimensions on request

L-SHAPE STEAM SHOWER CABINS TRAVERSE

FEATURES

- Corner (L-shape) variant.
- Glass panels with narrow wall profiles, chrome-plated as standard.
- Luxury handle, hinges and floor clips chrome-plated as standard.
- Colour parts available at extra cost in stainless steel look or matt black.
- Cab design: roof built in between walls; glass under a traverse.
- Glass colours choice of clear, bronze or grey.
- Flat steam bath roof made of insulating material. Standard white (RAL 9016) - Other RAL colours possible.

ARTICLE INFORMATION

	TRAVERSE
Up to 1000 x 1000 mm	2109 85 20
Up to 1200 x 1000 mm	2109 85 22
Up to 1400 x 1000 mm	2109 85 24
Up to 1600 x 1000 mm	2109 85 26
Up to 1800 x 1000 mm	2109 85 28
Up to 1000 x 1200 mm	2109 85 30
Up to 1200 x 1200 mm	2109 85 32
Up to 1400 x 1200 mm	2109 85 34
Up to 1600 x 1200 mm	2109 85 36
Up to 1800 x 1200 mm	2109 85 38



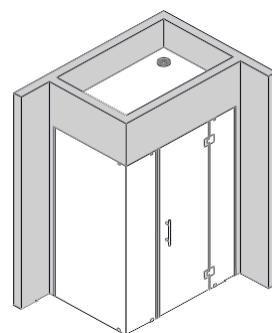
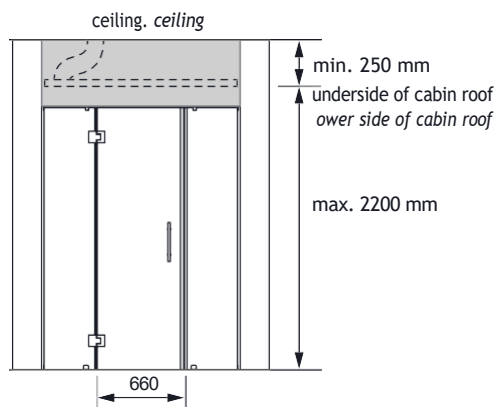
Other dimensions on request

OPTIONS

Surcharge for roof in RAL colour - other than RAL 9016	2109 50 05
Surcharge for colour parts in stainless steel look	2109 50 10
Shared colour parts in matt black	2109 50 15



EXAMPLE INSTALLATION: BUILT-IN CABIN ROOF.



Other dimensions on request

U-SHAPE STEAM SHOWER CABINS

FEATURES

- Wall (U-shape) variant.
- Glass panels with narrow wall profiles, chrome-plated as standard.
- Luxury handle, hinges and floor clips chrome-plated as standard.
- Colour parts available at extra cost in stainless steel look or matt black.
- Cab design: roof and glass coupled.
- Glass colours choice of clear, bronze or grey.
- Flat steam bath roof made of insulating material. Standard white (RAL 9016) - Other RAL colours possible.

ARTICLE INFORMATION

Up to 1000 x 1000 mm
 Up to 1200 x 1000 mm
 Up to 1400 x 1000 mm
 Up to 1600 x 1000 mm
 Up to 1800 x 1000 mm
 Up to 1000 x 1200 mm
 Up to 1200 x 1200 mm
 Up to 1400 x 1200 mm
 Up to 1600 x 1200 mm
 Up to 1800 x 1200 mm

GLASS & ROOF CONNECTED

2109 80 20
 2109 80 21
 2109 80 22
 2109 80 23
 2109 80 24
 2109 80 25
 2109 80 26
 2109 80 27
 2109 80 28
 2109 80 29



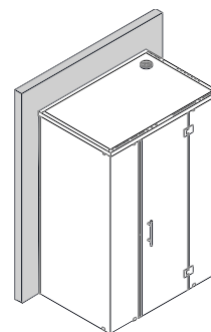
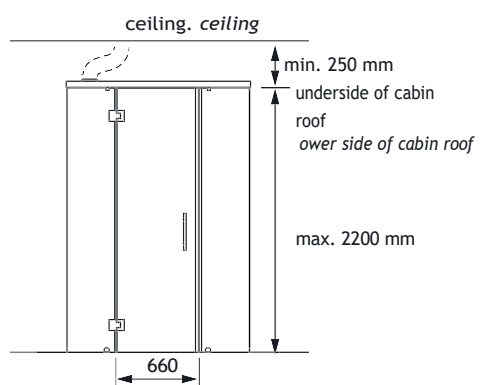
Other dimensions on request

OPTIONS

Surcharge for roof in RAL colour - other than RAL 9016	2109 50 05
Surcharge for colour parts in stainless steel look	2109 50 10
Shared colour parts in matt black	2109 50 15



EXAMPLE INSTALLATION: CABIN ROOF LINKED TO GLASS FRONT.



Other dimensions on request

U-SHAPE STEAM SHOWER CABINS TRAVERSE

FEATURES

- Wall (U-shape) variant.
- Glass panels with narrow wall profiles, chrome-plated as standard.
- Luxury handle, hinges and floor clips chrome-plated as standard.
- Colour parts available at extra cost in stainless steel look or matt black.
- Cab design: roof built in between walls; glass under a traverse.
- Glass colours choice of clear, bronze or grey.
- Flat steam bath roof made of insulating material. Standard white (RAL 9016) - Other RAL colours possible.

ARTICLE INFORMATION

Up to 1000 x 1000 mm
 Up to 1200 x 1000 mm
 Up to 1400 x 1000 mm
 Up to 1600 x 1000 mm
 Up to 1800 x 1000 mm
 Up to 1000 x 1200 mm
 Up to 1200 x 1200 mm
 Up to 1400 x 1200 mm
 Up to 1600 x 1200 mm
 Up to 1800 x 1200 mm

TRAVERSE

2109 85 40
 2109 85 42
 2109 85 44
 2109 85 46
 2109 85 48
 2109 85 50
 2109 85 52
 2109 85 54
 2109 85 56
 2109 85 58



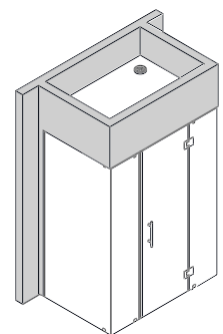
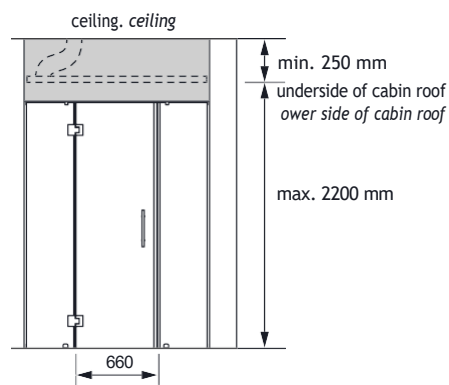
Other dimensions on request

OPTIONS

Surcharge for roof in RAL colour - other than RAL 9016	2109 50 05
Surcharge for colour parts in stainless steel look	2109 50 10
Shared colour parts in matt black	2109 50 15



EXAMPLE INSTALLATION: BUILT-IN CABIN ROOF.



Other dimensions on request

STEAM BATH DOOR M1

FEATURES

- Aluminium frame.
- 8 mm safety glass.
- Glass colour clear, bronze or grey.
- Frame and hanging handle white (RAL 9003) as standard.
- Other RAL colours at extra cost.
- Includes roll closure and water-resistant sill.
- Left and right version available.



Front hinge design right

ARTICLE INFORMATION

1900 x 750 mm
2050 x 750 mm
1900 x 1000 mm
2050 x 1000 mm

RIGHT

2105 30 00
2105 30 02
2105 30 04
2105 30 06

LEFT

2105 30 01
2105 30 03
2105 30 05
2105 30 07

Surcharge for colour other than RAL 9003

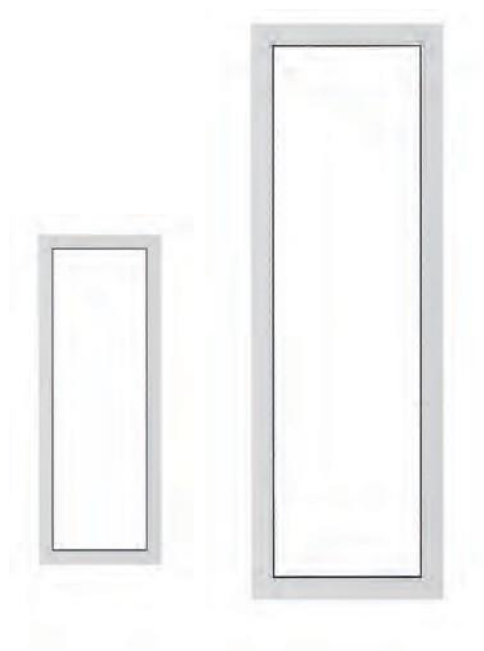
2105 33 00



STEAM BATH WINDOW M1

FEATURES

- Aluminium frame.
- 8 mm safety glass.
- Glass colour clear, bronze or grey.
- Frame standard white (RAL 9003).
- Other RAL colours at extra cost.



Other dimensions on request

ARTICLE INFORMATION

500 x 1000 mm	2109 40 00
500 x 1350 mm	2109 40 01
500 x 1500 mm	2109 40 02
500 x 2050 mm	2109 40 03
Surcharge for extra colour other than RAL 9003	2105 33 50



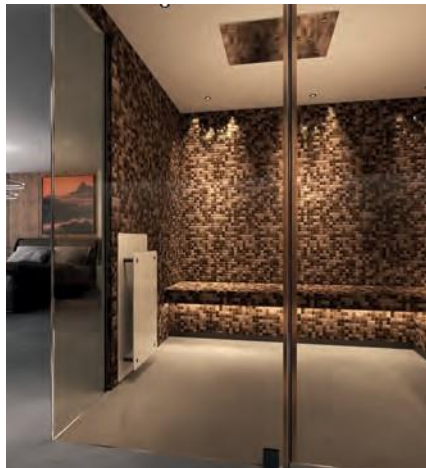
ALL-GLASS DOOR & WINDOW

FEATURES

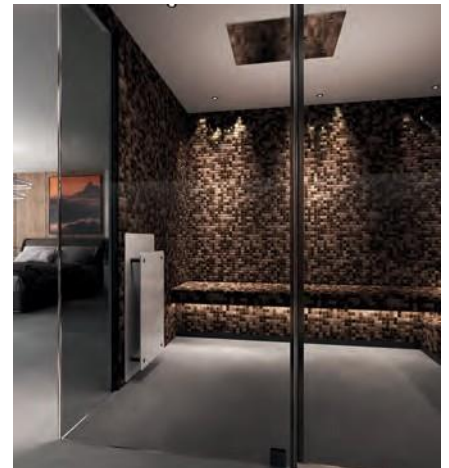
- 8 mm safety glass.
- Glass colour clear, bronze or grey smoked glass.
- Luxury handle chrome, stainless steel or matt black.
- Other colours of hinges and handle on request.
- Full-glass window max. 1400 x 2000 mm.



Glass colour



transparentGlass colour bronzeGlass colour



grey smoked glass

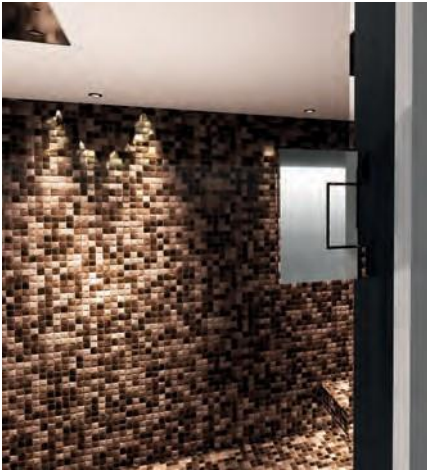


Other dimensions on request

ARTICLE INFORMATION

Full glass door (hinges, floor clamp and handle in chrome)	2102 31 00
Full-glass door (hinges, floor clamp and handle in stainless steel)	2102 31 10
Full glass door (hinges, floor clamp and handle in matt black)	2102 31 25
Full-glass window (per M2)	2102 31 05
Advice & measuring	2910 50 00

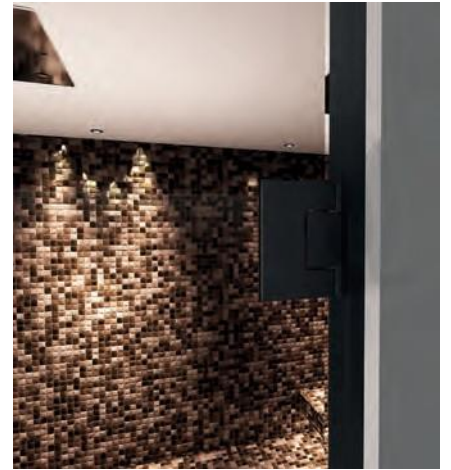
COLOURS



Hinge chrome



Hinge stainless steel



Hinge matt black



Handle chrome



Handle stainless steel



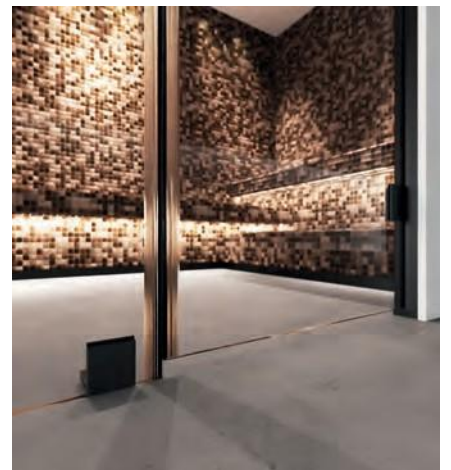
Handle matt black



Floor clamp chrome



Floor clamp stainless steel



Floor clamp matt black

STEAM BATH ROOF FLAT

FEATURES

- Insulated plastic steam bath roof.
- Mounting profiles included.
- Including finishing strips.
- Standard colour white RAL 9016.
- Other RAL colours at extra cost.



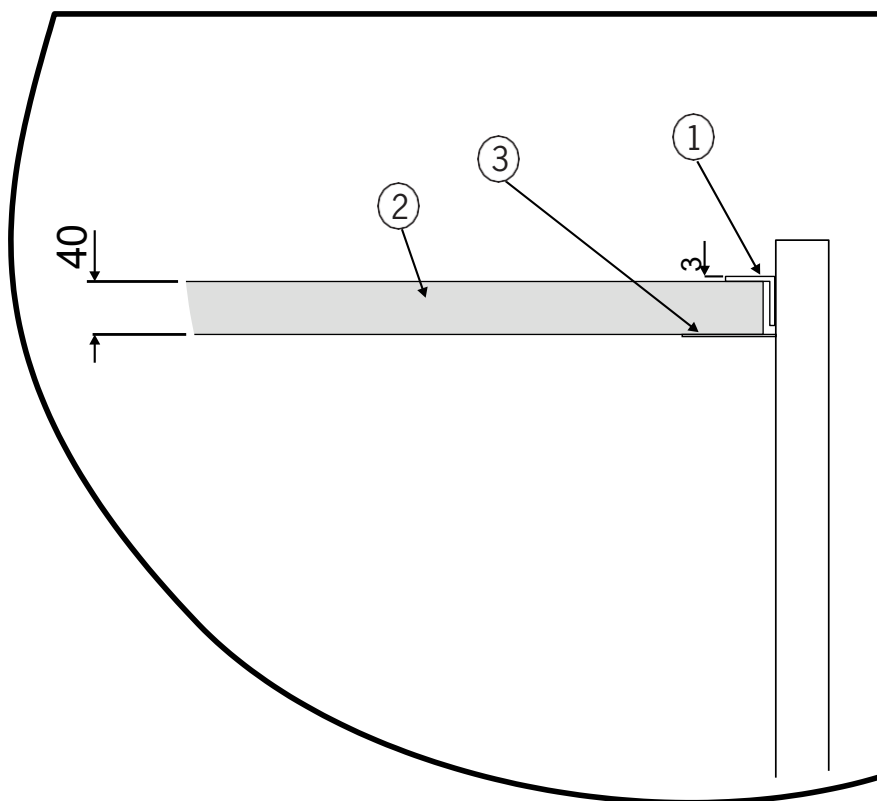
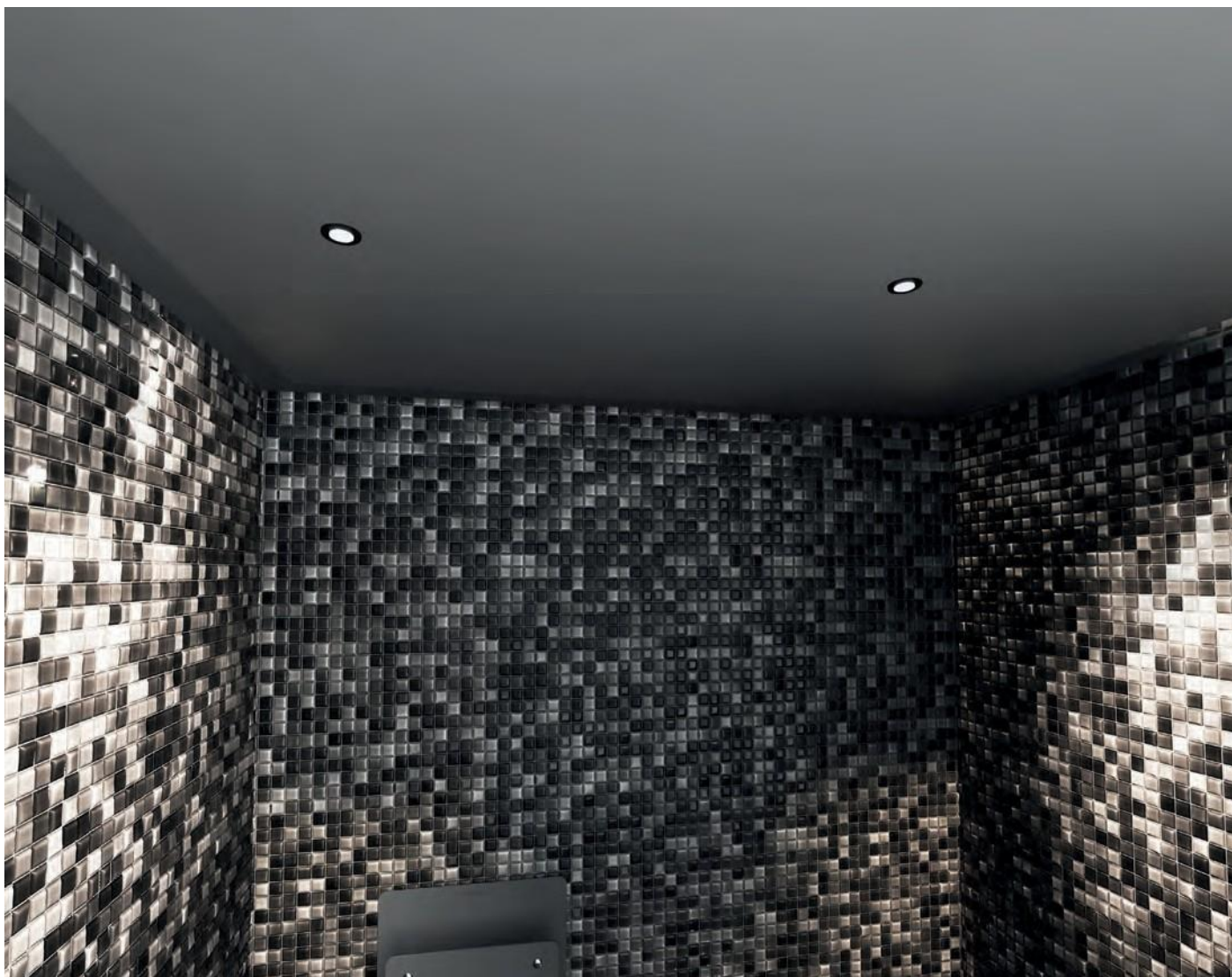
Other dimensions on request

ARTICLE INFORMATION

Flat steam bath roof up to 1250 x 1800 mm	2109 50 00
Flat steam bath roof from 1250 x 1800 mm	2109 50 01
Surcharge for extra colour other than RAL 9016	2109 50 05

OPTIONAL

Options and specifications see page 60.



1. Corner profile

2. Steam bath roof

3. Finish profile

STEAM BATH ROOF LOWERED

FEATURES

- Insulated plastic steam bath roof lowered.
- Mounting profiles included.
- Including finishing strips.
- Standard colour white RAL 9016.
- Other RAL colours at extra cost.



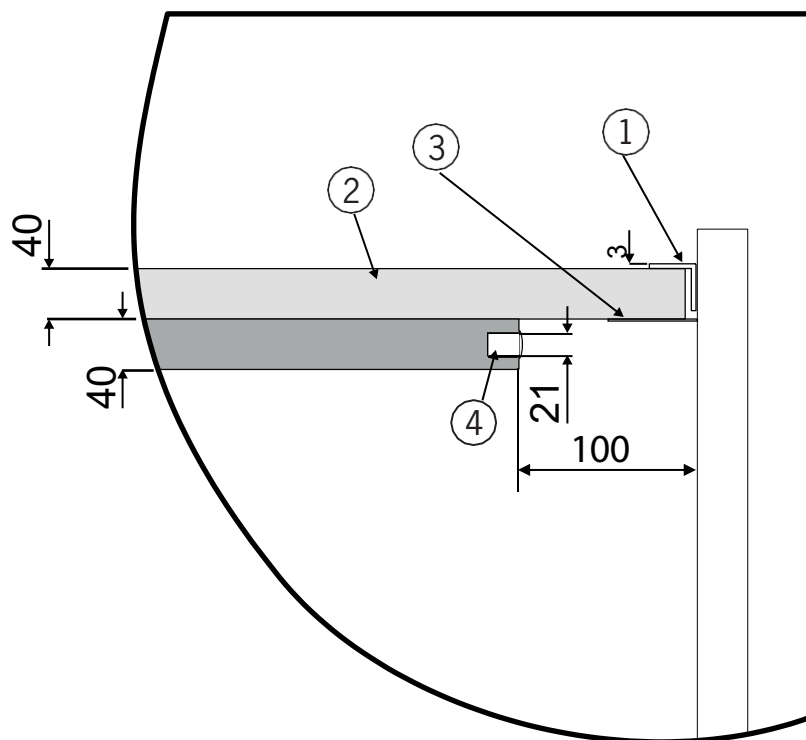
Other dimensions on request

ARTICLE INFORMATION

Dome steam bath roof up to 2500 x 1250 mm	2812 27 10
Dome steam bath roof up to 2500 x 1500 mm	2812 27 30
Dome steam bath roof up to 2500 x 2000 mm	2812 27 50
Dome steam bath roof up to 2500 x 2500 mm	2812 27 70
Surcharge for extra colour other than RAL 9016	2109 50 05

OPTIONAL

Options and specifications see page 60.



1. Corner profile

2. Steam bath roof

3. Finish profile

4. LED rails

STEAM BATH ROOF DOME

FEATURES

- Insulated plastic steam bath roof dome.
- Mounting profiles included.
- Including finishing strips.
- Standard colour white RAL 9016.
- Other RAL colours at extra cost.



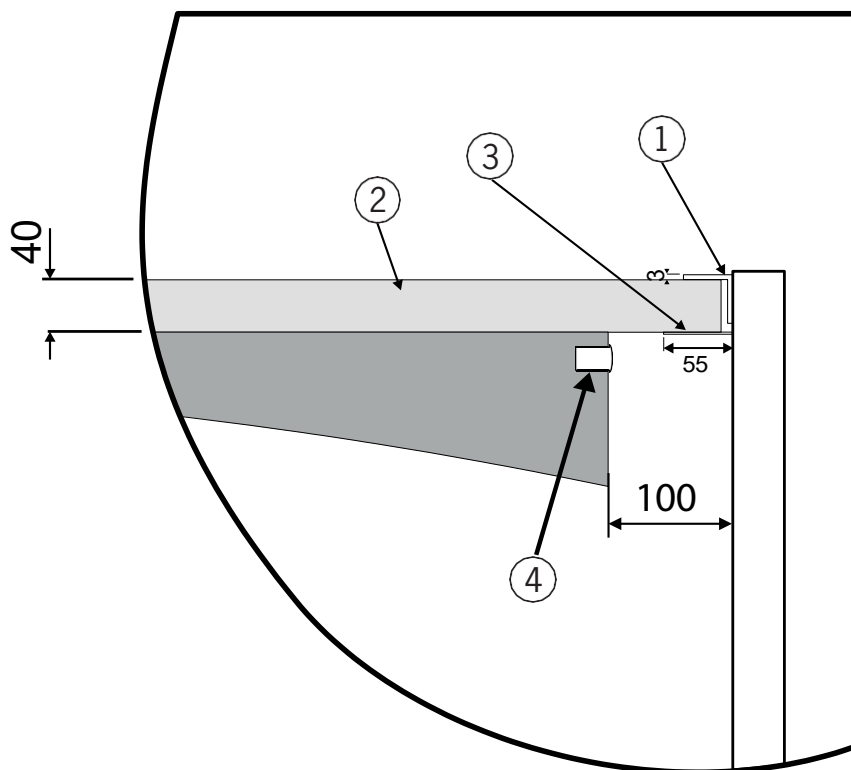
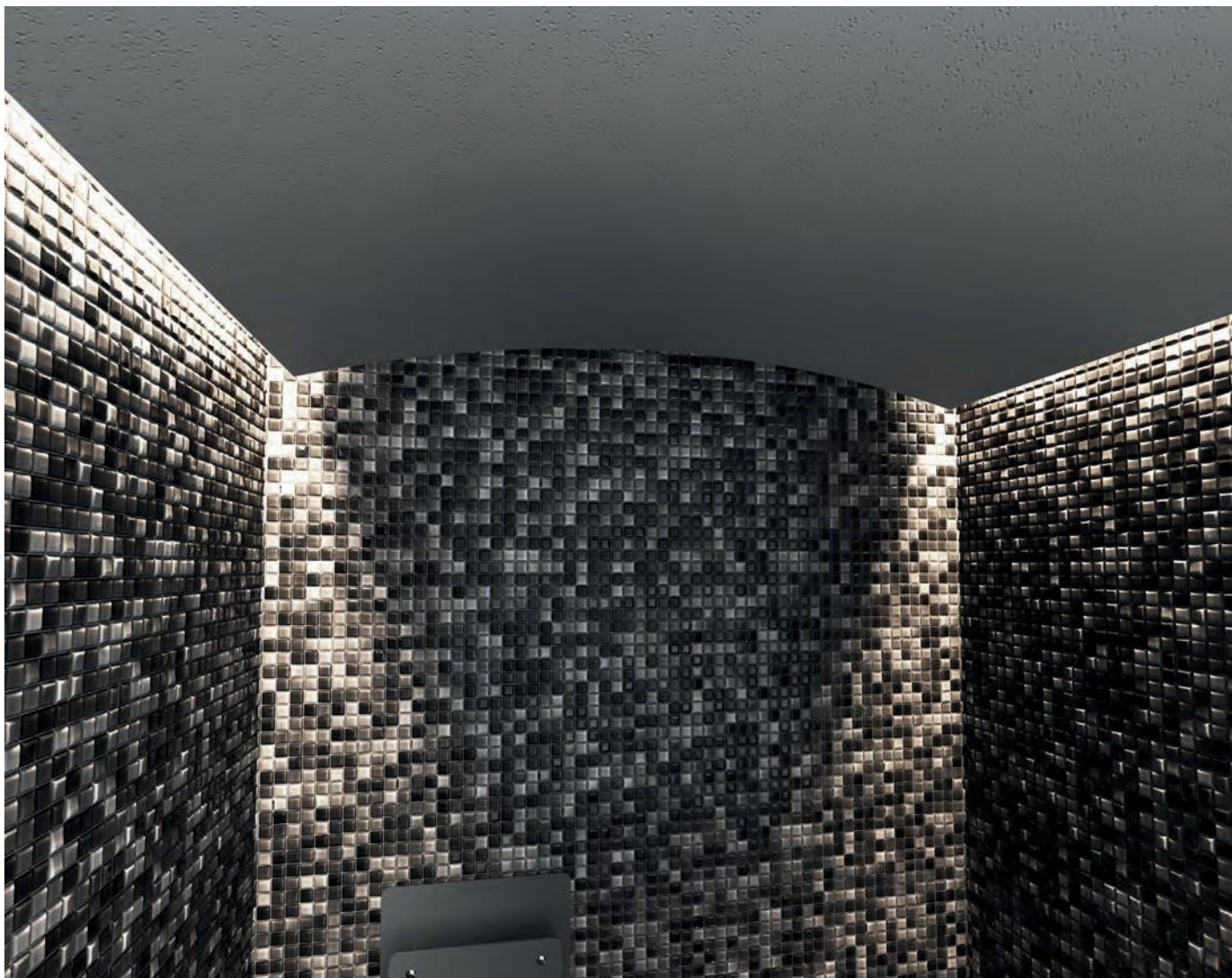
Other dimensions on request

ARTICLE INFORMATION

Dome steam bath roof up to 2500 x 1250 mm	2812 27 00
Dome steam bath roof up to 2500 x 1500 mm	2812 27 20
Dome steam bath roof up to 2500 x 2000 mm	2812 27 40
Dome steam bath roof up to 2500 x 2500 mm	2812 27 60
Surcharge for extra colour other than RAL 9016	2109 50 05

OPTIONAL

Options and specifications see page 60.



1. Corner profile

2. Steam bath roof

3. Finish profile

4. LED rails







TILEABLE BENCHES

FEATURES

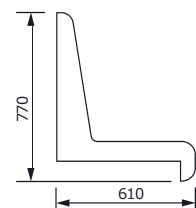
- High-quality insulation.
- Features cementitious coating.
- Ready for immediate tiling.
- Adjustable to size; also at an angle

ARTICLE INFORMATION

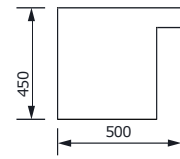
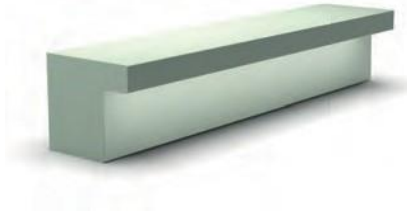
Bench model	1	per metre	2102 31 15
Bench model	2	per metre	2102 31 20
Bench model	4	per metre	2102 31 40
Bench model	5	per metre	2102 31 50
Bench model	6	per metre	2102 31 55

Softseat (fits on model 1)	RAL 3018		2813 00 10
	RAL 4001		2813 00 40
	RAL 7021		2813 00 20
	RAL 3015		2813 00 50
	RAL 7042		2813 00 30
	RAL 9016		2813 00 60

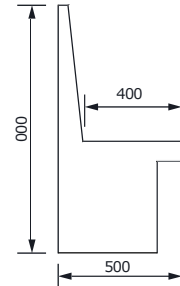
Softseat (for model 1 bench)



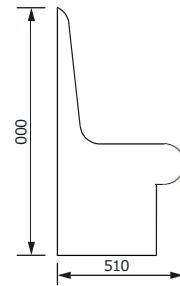
Bench model 1



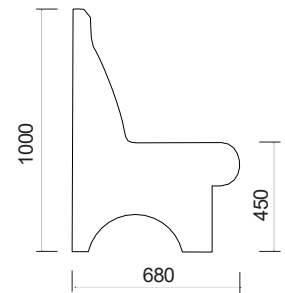
Bench model 2



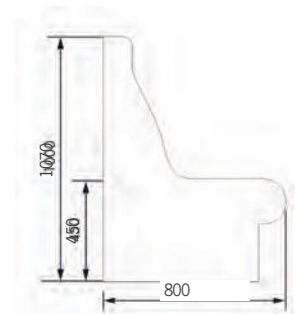
Bench model 4



Bench model 5



Bench model 6



Other dimensions on request

ACRYLIC BENCHES

FEATURES

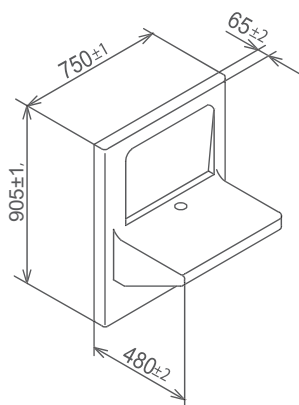
- Benches made of high-quality sanitary acrylic.
- White RAL 9016.
- Equipped with integrated drain.
- Includes mounting material.

ARTICLE INFORMATION

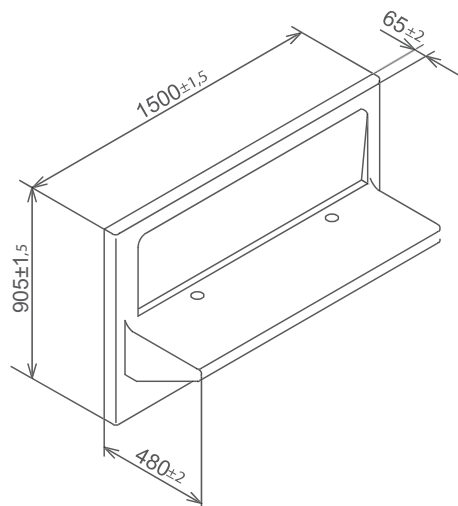
Acrylic bench corner 1500 x 1125 mm	2109 30 00
Acrylic bench corner 1500 x 1125 mm	2109 30 01
Acrylic bench 750 mm	2109 30 02
Acrylic bench 1500 mm	2109 30 03

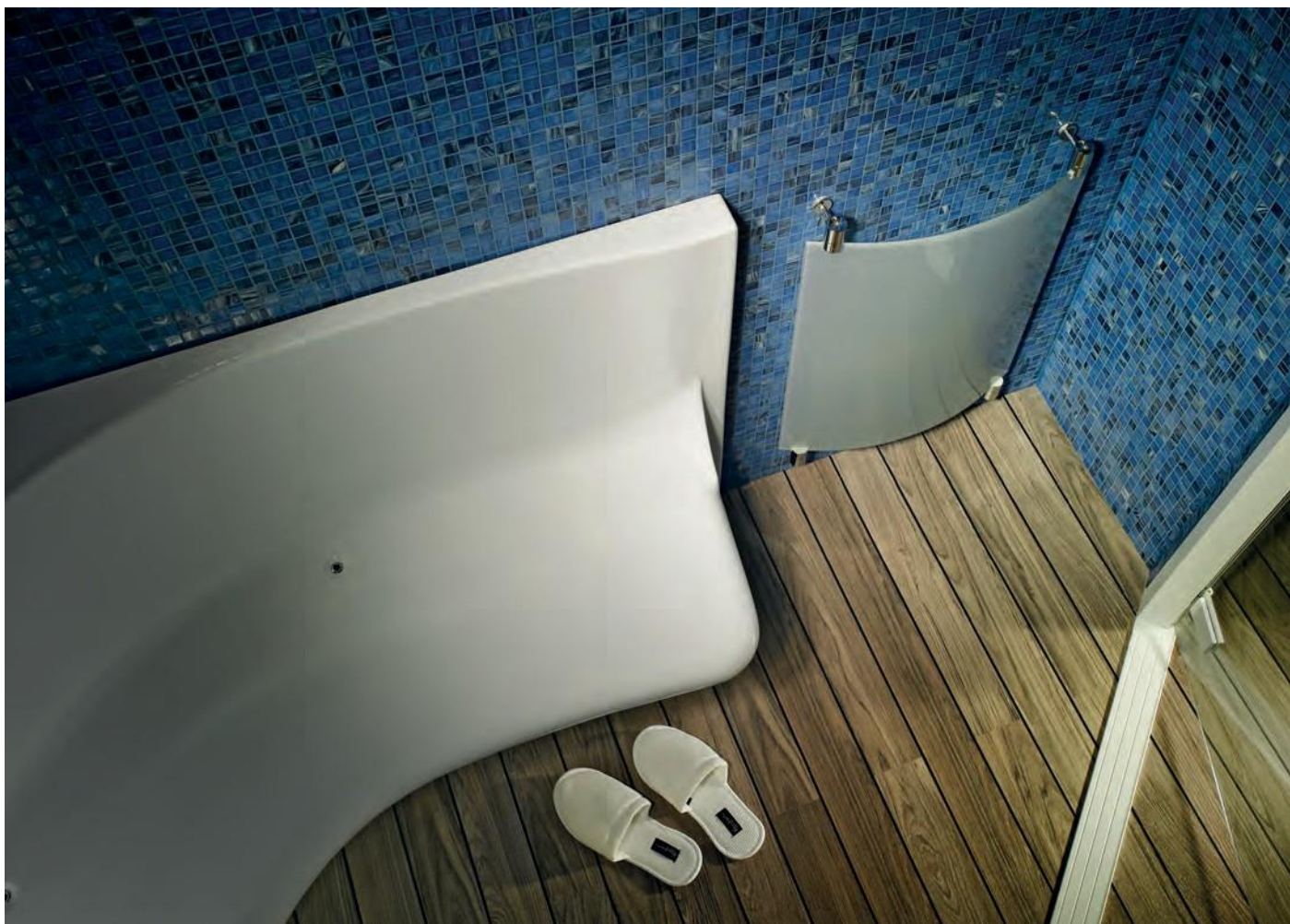


Bench 750 mm

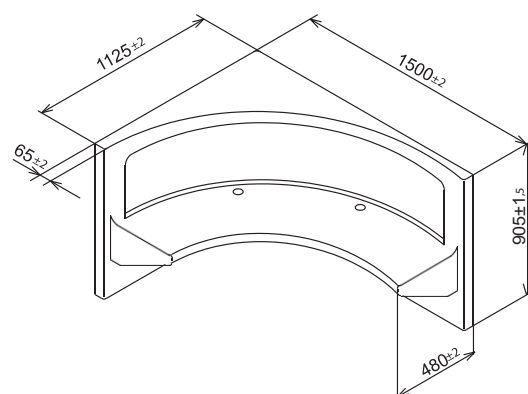
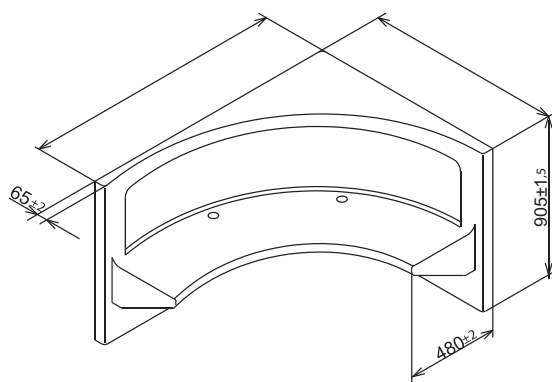


Bench 1500 mm





Corner element right 1500 x 1125 mm



OPTIONS & SPECIFICATIONS



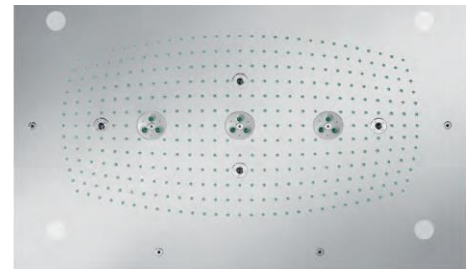
Steam inlet plastic

- 2500 34 00 White
- 2500 36 00 Black
- 2500 35 00 Grey



Steam inlet glass (2 parts)

- 2811 81 00 White
- 2811 83 00 Black
- 2811 82 00 Grey



Rainmaker

- 2500 26 00 without light
- 2500 13 00 with light



Air vent plastic white

- 2500 28 00 Ø 125 mm
- 2500 28 50 Ø 100 mm



Bleed & white light unit

- 2109 99 08 White



Speaker

- 2500 27 00 White
- 2500 27 50 Grey



Lighting set spotlights

(2 x LED RGB/white spotlights)

incl.push button

2500 45 00 RGB/white



Lighting set spotlights

(4 x LED RGB/white spots) incl.push

button

2500 45 10 RGB/white



Raindance Air

2500 14 00 180 mm

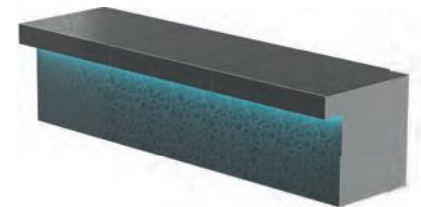
2500 16 00 240 mm



Raindance Select

2500 18 00 240 mm

2500 22 00 300 mm



Lighting set rails

LED strip (5 metres) incl. push

button

2200 44 00 RGB/white

SPA COMFORT

Spa comfort is a collection of seating and lying elements made of coated soft foam. Permanently flexible, soft and easy to care for.

Cushions, poufs, chairs and lounge beds for use in (professional) steam baths, showers and wellness areas. Available in various colours; if you require a different colour, please specify a RAL colour.





SPA CUSHIONS & POUFS

FEATURES

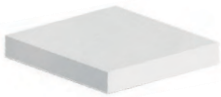
- Available in 4 RAL colours as standard.
- Other RAL colours on request.
- Permanently soft for optimal comfort.
- Made of polyurethane-coated soft foam.
- Antibacterial and resistant to water and moisture.
- Easy maintenance; clean with water and cloth.

ARTICLE INFORMATION

	RAL 9016	● RAL 7042	● RAL 7021	RAL 8025
Spa cushion 400	2109 30 09	2109 30 19	2109 36 16	2109 37 10
Spa cushion 750	2109 30 10	2109 30 20	2109 36 17	2109 37 12
Spa cushion 900	2109 30 11	2109 30 21	2109 36 18	2109 37 14
Spa cushion 1200	2109 30 12	2109 30 22	2109 36 19	2109 36 16
Spa cushion 1500	2109 30 13	2109 30 23	2109 36 20	2109 37 18
Spa pouf 400	2109 34 50	2109 34 60	2109 36 10	2109 37 40
Spa pouf 750	2109 30 04	2109 30 14	2109 36 11	2109 37 42
Spa pouf 900	2109 30 05	2109 30 15	2109 36 12	2109 37 44



Other dimensions on request



Spa cushion 400
400 x 400 x 50 mm



Spa cushion 750
750 x 400 x 50 mm



Spa cushion 900
900 x 400 x 50 mm



Spa cushion 1200
1200 x 400 x 50 mm



Spa cushion 1500
1500 x 400 x 50 mm



Spa pouf 400
400 x 400 x 450 mm



Spa pouf 750
750 x 400 x 450 mm



Spa pouf 900
900 x 400 x 450 mm

SPA SEATS & LOUNGE BEDS

FEATURES

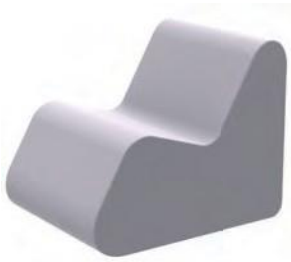
- Spa loungers and cushions for use in (professional) steam baths, showers and wellness areas.
- Available in 3 RAL colours as standard.
- Other RAL colours on request.
- Permanently soft for optimal comfort.
- Made of polyurethane-coated soft foam.
- Antibacterial and resistant to water and moisture.
- Easy maintenance; clean with water and a cloth.

ARTICLE INFORMATION

	● RAL 7021	● RAL 7042	RAL 9016
Salta	2109 17 10	2109 17 20	2109 17 50
Lima	2109 10 10	2109 10 20	2109 10 50
Cusco	2109 22 10	2109 22 20	2109 22 50
Spa armchair	2109 36 50	2109 36 40	2109 36 60
Spa feet pouf Cubic	2109 38 40	2109 38 20	2109 38 00
Spa feet pouf Triangle	2109 36 90	2109 36 80	2109 37 00
Porto	2109 18 10	2109 18 20	2109 18 50
Corfu 2.0	2109 19 10	2109 19 30	2109 19 50



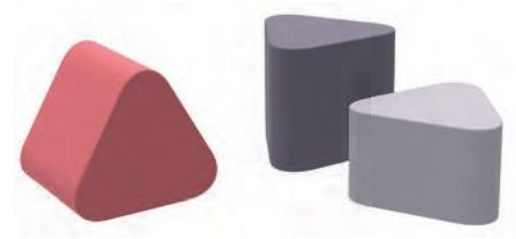
Other dimensions on request



Salta
600 x 884 x 654 mm



Lima
600 x 1170 x 654 mm



Cusco
400 x 455 x 419 mm



Spa chair
550 x 700 x 730 mm



Spa Pouf Cubic
550 x 550 x 400 mm



Spa pouf Triangle
550 x 550 x 400 mm



600 x 1191 x 654 mm



PortoCorfu 2.0
600 x 1800 x 730 mm



DELTA LINE

FEATURES

Comfortable built-in shower steam cabins made of high-quality acrylic in the colour white. Acrylic absorbs minimal heat and insulates to maximise the steam effect. These cabins require little maintenance and retain their luxurious look for years.

- Cabins made of acrylic.
- 4 dimensions.
- 8 mm glass clear, bronze or grey.
- Door frame aluminium white, other RAL colours on request.
- Door pivots front hinges left or right.
- Includes drain.
- Includes thermostatic tap and hand shower.
- External steam technology.

Delta line cabins are available in 3 different versions: Essential, Deluxe and Exclusive.



IDAHO 530

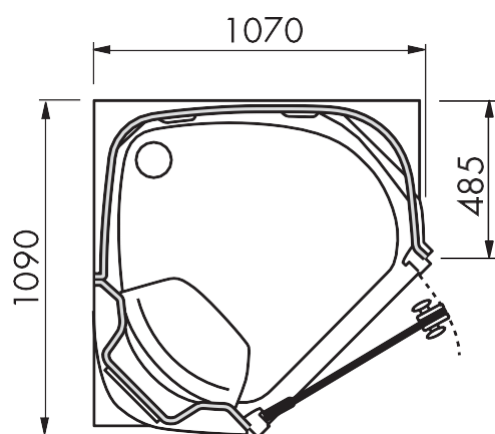
FEATURES

- Built-in cabin made of acrylic.
- 1 person cabin.
- Seat left or right.
- Equipped with shower and steam generator.
- Steam generator should be placed externally.
- Versions page 78.

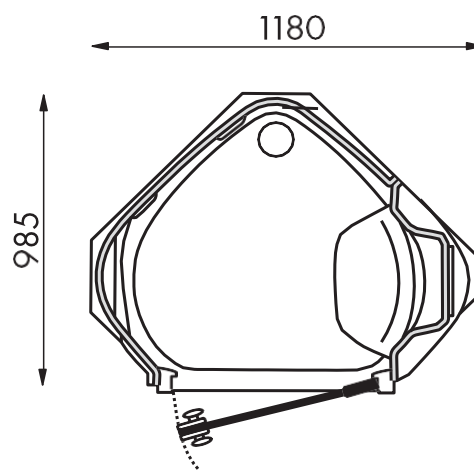
ARTICLE INFORMATION

Essential	8200 1010
Deluxe	8200 1020
Exclusive	8200 1030

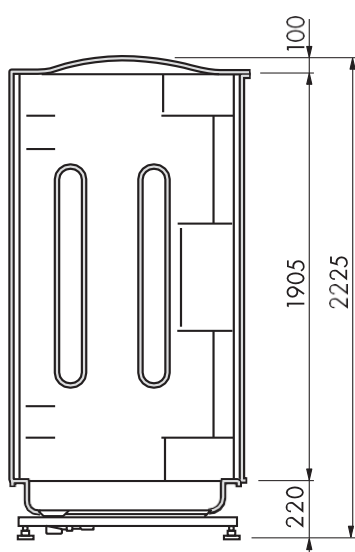
DIMENSIONS



Top view of corner installation (in mm)



Top view of wall installation (in mm)



Front view (in mm)

GLASS COLOUR

- Glass colour transparent, bronze or grey smoked glass.

DOOR DIRECTION

- Hinges forward on right or left side. Seat is equal to the hinge side.

HAWAII TWIN 550

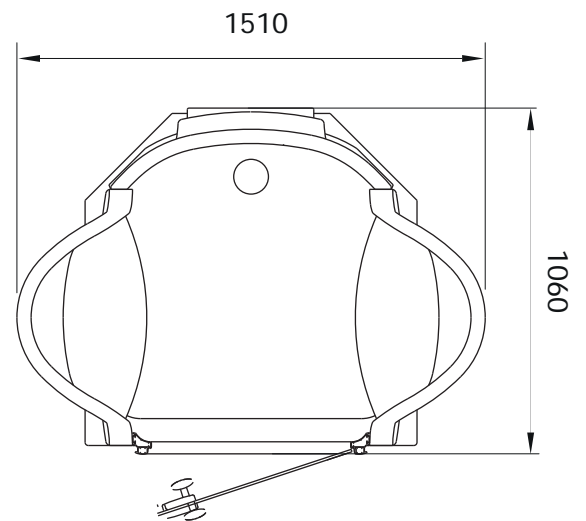
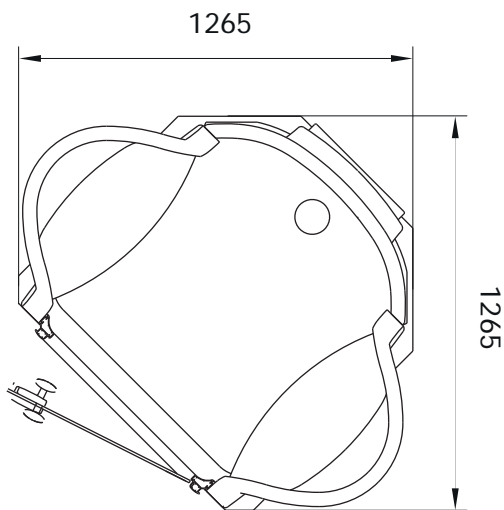
FEATURES

- Built-in cabin made of acrylic.
- 2-person cabin.
- Equipped with shower and steam generator.
- Steam generator should be placed externally.
- Versions page 78.

ARTICLE INFORMATION

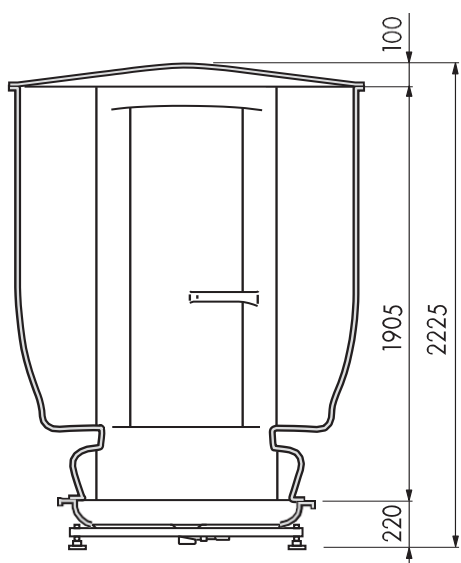
Essential	8200 1040
Deluxe	8200 1050
Exclusive	8200 1060

DIMENSIONS



Top view of corner installation (in mm)

Top view of wall installation (in mm)



Front view (in mm)

GLASS COLOUR

- Glass colour transparent, bronze or grey smoked glass.

DOOR DIRECTION

- Front hinges on the right or left side.

OREGON TWIN 560

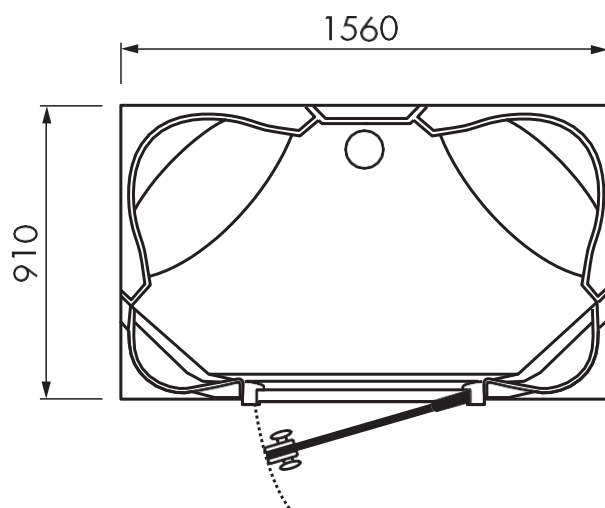
FEATURES

- Built-in cabin made of acrylic.
- 2-person cabin.
- Equipped with shower and steam generator.
- Steam generator should be placed externally.
- Versions page 78.

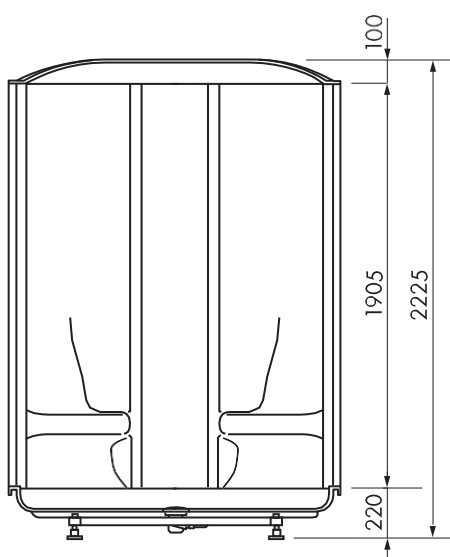
ARTICLE INFORMATION

Essential	8200 1070
Deluxe	8200 1080
Exclusive	8200 1090

DIMENSIONS



Top view of corner installation (in mm)



Front view (in mm)

GLASS COLOUR

- Glass colour transparent, bronze or grey smoked glass.

DOOR DIRECTION

- Front hinges on the right or left side.

COLORADO TWIN 570

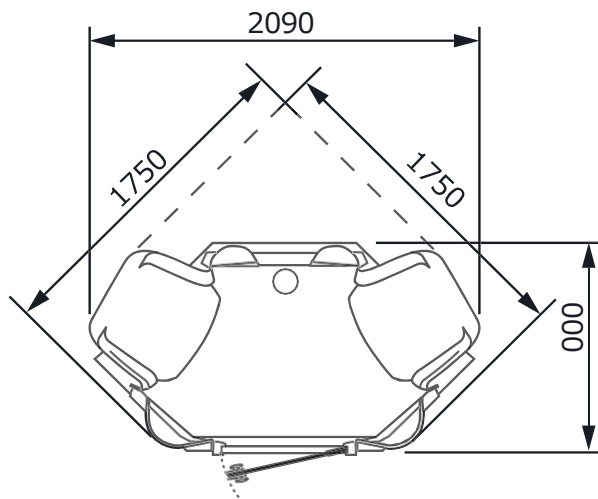
FEATURES

- Built-in cabin made of acrylic.
- 2-person cabin.
- Equipped with shower and steam generator.
- Steam generator should be placed externally.
- Versions page 78.

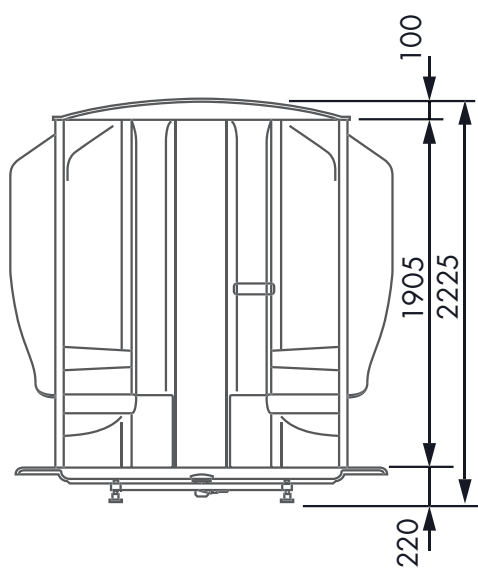
ARTICLE INFORMATION

Essential	8200 1100
Deluxe	8200 1110
Exclusive	8200 1120

DIMENSIONS



Top view of corner installation (in mm)



Voorraanzicht (in mm)

GLASS COLOUR

- Glass colour transparent, bronze or grey smoked glass.

DOOR DIRECTION

- Front hinges on the right or left side.

DELTA LINE VERSIONS

OPTIONAL

Special finishes

Special finishes are available on request.

OPTIONAL (no surcharge)

Glass colour

· Glass colour transparent, bronze or grey smoked glass

Door hinge direction

· Hinges on right or left side

ESSENTIAL

Cabin

- Cabin made of high-quality acrylic.
- Door in frame (white) - glass colour transparent.
- Drainage.
- Venting.

Shower

- Thermostatic faucet (1 function).
- Hand shower and slide bar.

Lighting

- LED lighting white (2 pcs).

Steam

- Steam One steam generator incl. controls
(3 kW - Colorado Twin only = 4.5 kW)
- Aromatherapy (automatic dosage 1 fragrance)
- Plastic steam inlet white

DELUXE

Cabin

- Cabin made of high-quality acrylic.
- Door in frame (white) - glass colour transparent.
- Drainage.
- Venting.

Shower

- Thermostatic faucet (2 functions).
- Hand shower and slide bar.
- Roof shower 240 mm

Lighting

- LED lighting colour (2 pcs).

Steam

- Steam Smart steam generator incl. controls
(3 kW - Colorado Twin 4.5 kW only)
- Aromatherapy (automatic dosage 1 fragrance)
- Plastic steam inlet white

EXCLUSIVE

Cabin

- Cabin made of high-quality acrylic.
- Door in frame (white) - glass colour transparent.
- Drainage.
- Venting.

Shower

- Thermostatic faucet (3 functions).
- Hand shower and slide bar.
- Roof shower 300 mm.
- Side showers body fat (6 pieces).

Lighting

- LED lighting colour (2 pcs).

Steam

- Steam Deluxe steam generator incl. controls
(3 kW - Colorado Twin 4.5 kW only)
- Aromatherapy (automatic dosage 2 fragrances)
- Plastic steam inlet white

Music

- Bluetooth module including 2 speakers.

DELTA LINE SPECIFICATIONS



Thermostatic mixer Shower Select



Hansgrohe Raindance Select S 150 hand shower diameter 150 mm, Select button for switching between 3 jet types, shower arm Unica S 90 cm, shower hose Isiflex B 160 cm. Chromed.



High-quality head shower from Hansgrohe. Made of chrome-plated brass and with diameters 240 and 300 mm. The Select button allows you to easily switch between a powerful rain jet and a soft rain jet.



Speaker



LED white light spotlight



RGB LED colour light



Side shower



Operation Steam One

- Steam on/off
- Aroma therapy on/off
- LED white light on/off



Operation Steam Smart

- Steam *
- Aromatherapy *
- Colour therapy (RGB colour LED) including dimming and rotation colours

* +/- adjustable in 3 positions



- Operation Steam Deluxe
- Digital display
- Steam temperature 40 - 50 oC
- Colour therapy (RGB colour LED) including dimming and rotation colours
- Aromatherapy (3 fragrances)
- Bluetooth music (volume, playlist)



ZETA LINE

FEATURES

Comfortable built-in cabins made of high-quality insulation panels in various colours and finishes. The seating elements consist of acrylic, this plastic absorbs minimal heat and is easy to clean. These cabins require little maintenance and retain their luxurious appearance for years. As the cabins have a modular structure, they can be customised if required. Ask us about the possibilities.

- Cabin made of insulation panels and acrylic seat(s).
- Walls, roof and seat fully finished.
- 4 models; available in 3 versions.
- 8 mm glass clear, bronze or grey.
- Door frame aluminium white or RAL colour (surcharge).
- Door pivots front hinges left or right.
- Includes thermostatic tap, hand shower and slide bar.
- Cabin to be placed on a finished floor.
- External steam technology.



ZETA MODEL 1

FEATURES

- Built-in cabin from insulation panels.
- Versions page 92.
- Interior colours page 94.
- Specifications page 96.
- 1-person cabin (sits on left or right).
- Equipped with shower and steam generator.
- Steam generator (4.5 kW) to be placed externally.

EXECUTION

- Essential 8200 2010
- Deluxe 8200 2020
- Exclusive 8200 2030

OPTIONAL WINDOW

- 2050 x 500 mm 2109 40 03
- 2050 x 1000 mm 2109 40 10

OPTIONAL ROOF AND SEAT IN RAL COLOUR

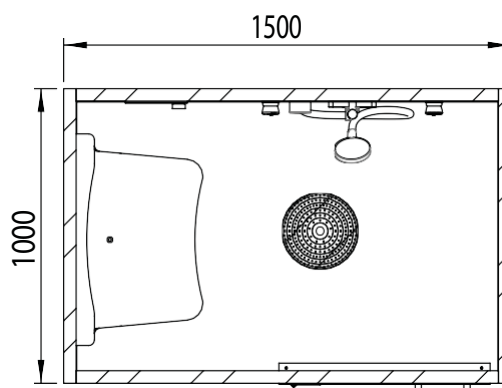
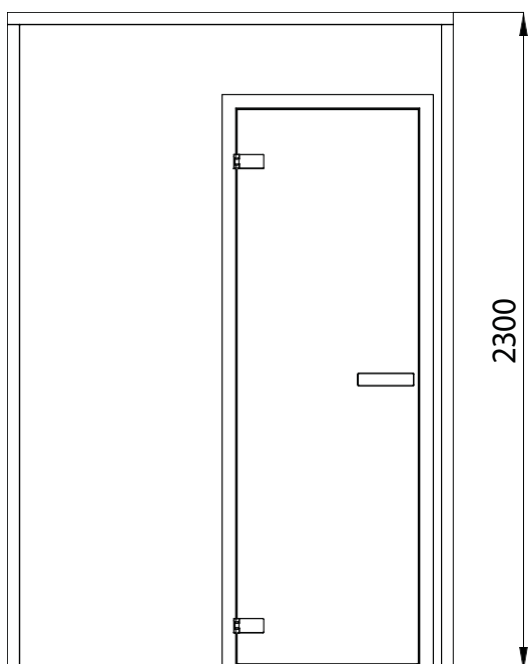
Surcharge for extra colour 2109 50 05

GLASS COLOUR

- Glass colour transparent, bronze or grey smoked glass.

DOOR DIRECTION

- Front hinges on the right or left side.



ZETA MODEL 2

FEATURES

- Built-in cabin from insulation panels.
- Versions page 92.
- Interior colours page 94.
- Specifications page 96.
- 2-person cabin.
- Equipped with shower and steam generator.
- Steam generator (6 kW) to be placed externally.

EXECUTION

- Essential 8200 20 50
- Deluxe 8200 20 60
- Exclusive 8200 20 70

OPTIONAL WINDOW

- 2050 x 500 mm 2109 40 03
- 2050 x 1000 mm 2109 40 10

OPTIONAL ROOF AND SEAT IN RAL COLOUR

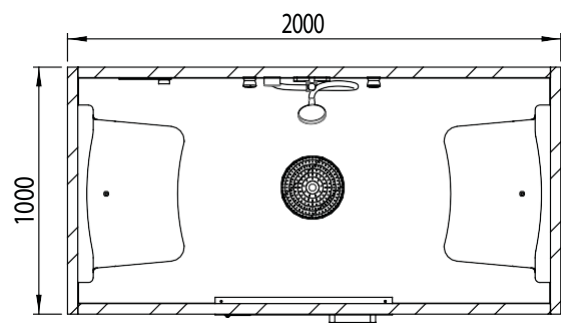
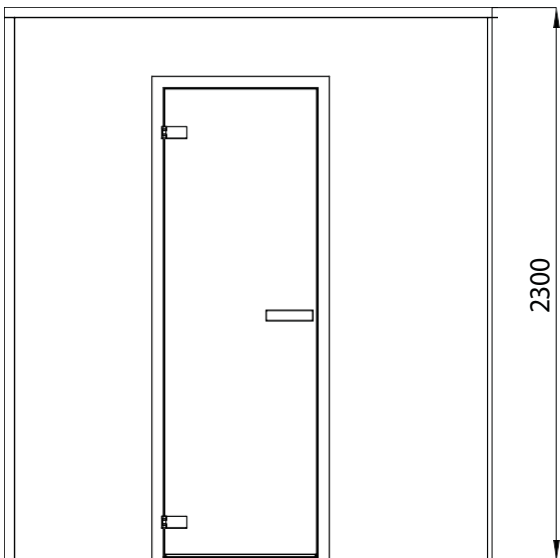
Surcharge for extra colour 2109 50 05

GLASS COLOUR

- Glass colour transparent, bronze or grey smoked glass.

DOOR DIRECTION

- Front hinges on the right or left side.



ZETA MODEL 3

FEATURES

- Built-in cabin from insulation panels.
- Versions page 92.
- Interior colours page 94.
- Specifications page 96.
- 2-person cabin.
- Equipped with shower and steam generator.
- Steam generator (6 kW) to be placed externally.

EXECUTION

- Essential 8200 21 00
- Deluxe 8200 21 10
- Exclusive 8200 21 20

OPTIONAL WINDOW

- 2050 x 500 mm 2109 40 03
- 2050 x 1000 mm 2109 40 10

OPTIONAL ROOF AND SEAT IN RAL COLOUR

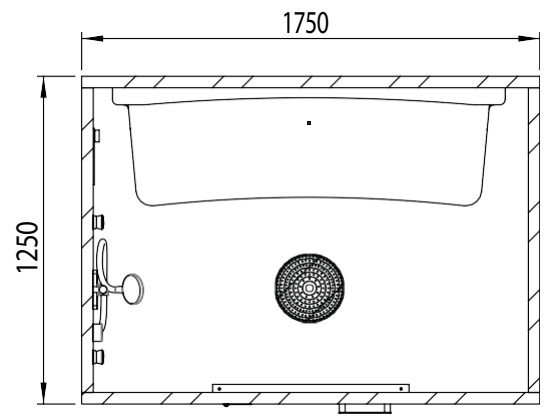
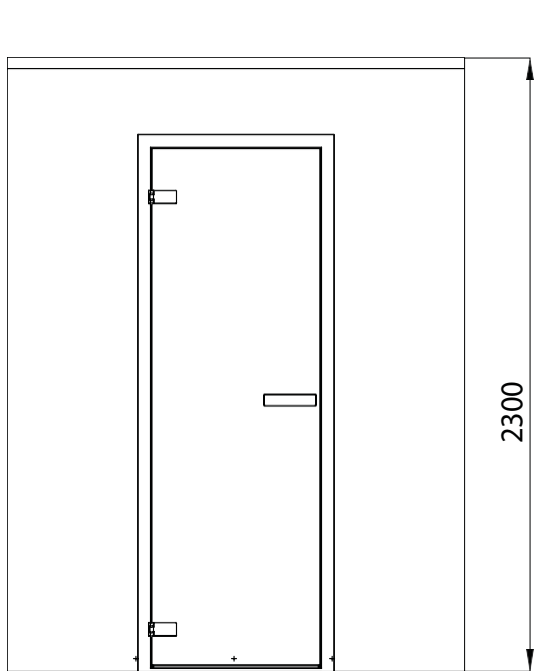
Surcharge for extra colour 2109 50 05

GLASS COLOUR

- Glass colour transparent, bronze or grey smoked glass.

DOOR DIRECTION

- Front hinges on the right or left side.



ZETA MODEL 4

FEATURES

- Built-in cabin from insulation panels.
- Versions page 92.
- Interior colours page 94.
- Specifications page 96.
- 2-person cabins (left or right-hand drive version).
- Equipped with shower and steam generator.
- Steam generator (7.5 kW) to be placed externally.

EXECUTION

- Essential 8200 21 50
- Deluxe 8200 21 60
- Exclusive 8200 21 70

OPTIONAL WINDOW

- 2050 x 500 mm 2109 40 03
- 2050 x 1000 mm 2109 40 10

OPTIONAL ROOF AND SEAT IN RAL COLOUR

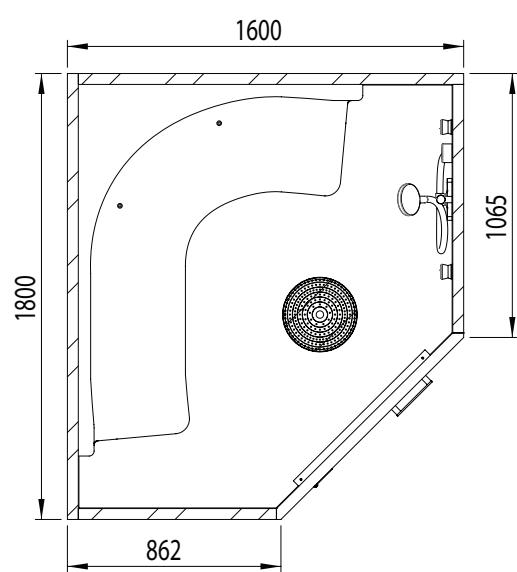
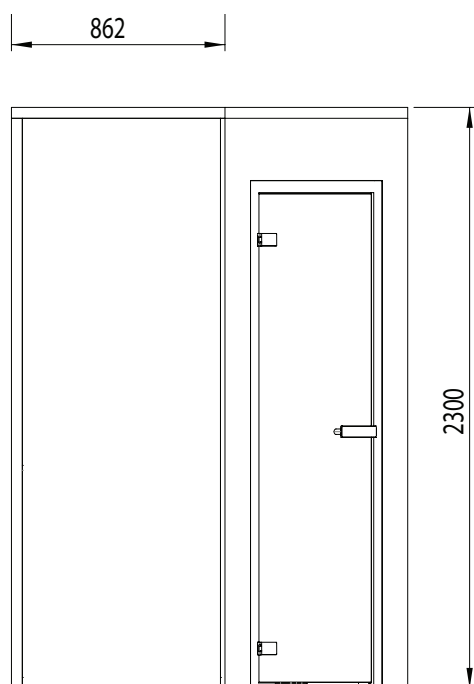
Surcharge for extra colour 2109 50 05

GLASS COLOUR

- Glass colour transparent, bronze or grey smoked glass.

DOOR DIRECTION

- Front hinges on the right or left side.



ZETA LINE VERSIONS

OPTIONAL (no surcharge)

Glass colour

- Glass colour transparent, bronze or grey smoked glass.

Door hinge direction

- Hinges on the right or left side.

OPTIONAL (at extra cost)

Optional window (in mm)

2050 x 500	2109 40 03
2050 x 1000	2109 40 10
2050 x 1250	2109 40 15
2050 x 1500	2109 40 20
RAL colour	2105 33 50

Optional roof and seat in RAL colour

Surcharge for extra colour 2109 50 05

Special finishes

ESSENTIAL

Cabin

- Cabin made of high-quality insulation panels.
- Door in frame (white) - glass colour transparent.
- Ventilation shaft

Shower

- Thermostatic faucet (1 function).

Lighting

- LED lighting white (2 pieces).

Steam

- Steam One steam generator incl. controls
- Aromatherapy (automatic dosage 1 fragrance).
- Plastic steam inlet white, grey or black.

DELUXE

Cabin

- Cabin made of high-quality insulation panels.
- Door in frame (white) - glass colour transparent.
- Ventilation shaft

Shower

- Thermostatic faucet (2 functions).
- Hand shower and slide bar.
- Roof shower 240 mm.

Lighting

- LED lighting colour (2 pcs).

Steam

- Steam Smart steam generator incl. controls
- Aromatherapy (automatic dosage 1 fragrance).
- Plastic steam inlet white, grey or black.

EXCLUSIVE

Cabin

- Cabin made of high-quality insulation panels.
- Door in frame (white) - glass colour transparent.
- Ventilation shaft

Shower

- Thermostatic faucet (3 functions).
- Hand shower and slide bar.
- Roof shower 300 mm.
- Side showers body fat (6 pieces).

Lighting

- LED lighting colour (2 pcs).

Steam

- Steam Deluxe steam generator incl. controls
- Aromatherapy (automatic dosing 2 fragrances).
- Plastic steam inlet white, grey or black.

Music

- Bluetooth module including 2 speakers.

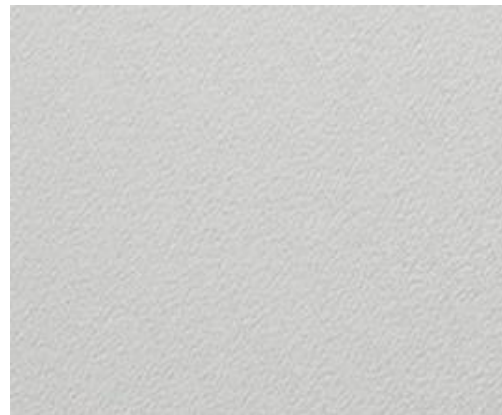
ZETA LINE COLOURS

GLOSS

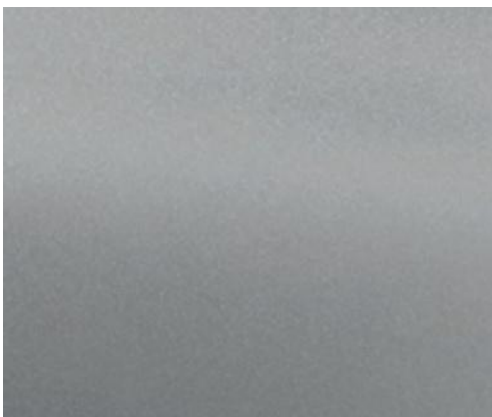


Artic White

STRUCTURED



White



Titan Grey



Graphite Grey



Other colours on request

STRUCTURED



Mediterranean - Beige



Terra - Grey



Metal rust - Red

MAT



Marble - White



Marble - Black



Concrete - Grey

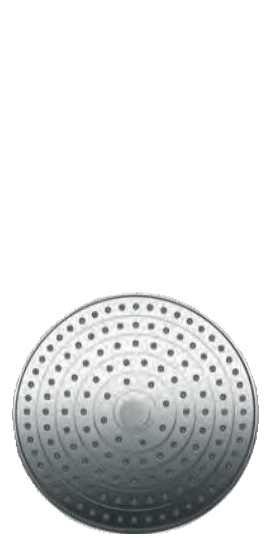
ZETA LINE SPECIFICATIONS



Thermostatic mixer Shower Select



Hansgrohe Raindance Select S 150 hand shower diameter 150 mm, Select button for switching between 3 jet types, shower arm Unica S 90 cm, shower hose Isiflex B 160 cm. Chromed.



High-quality head shower from Hansgrohe. Made of chrome-plated brass and with diameters 240 and 300 mm. The Select button allows you to easily switch between a powerful rain jet and a soft rain jet.



Speaker



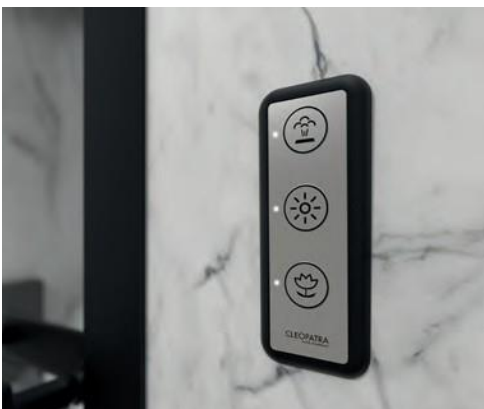
LED white light spotlight



RGB LED colour light



Side shower



Operation Steam One

- Steam on/off
- Aroma therapy on/off
- LED white light on/off



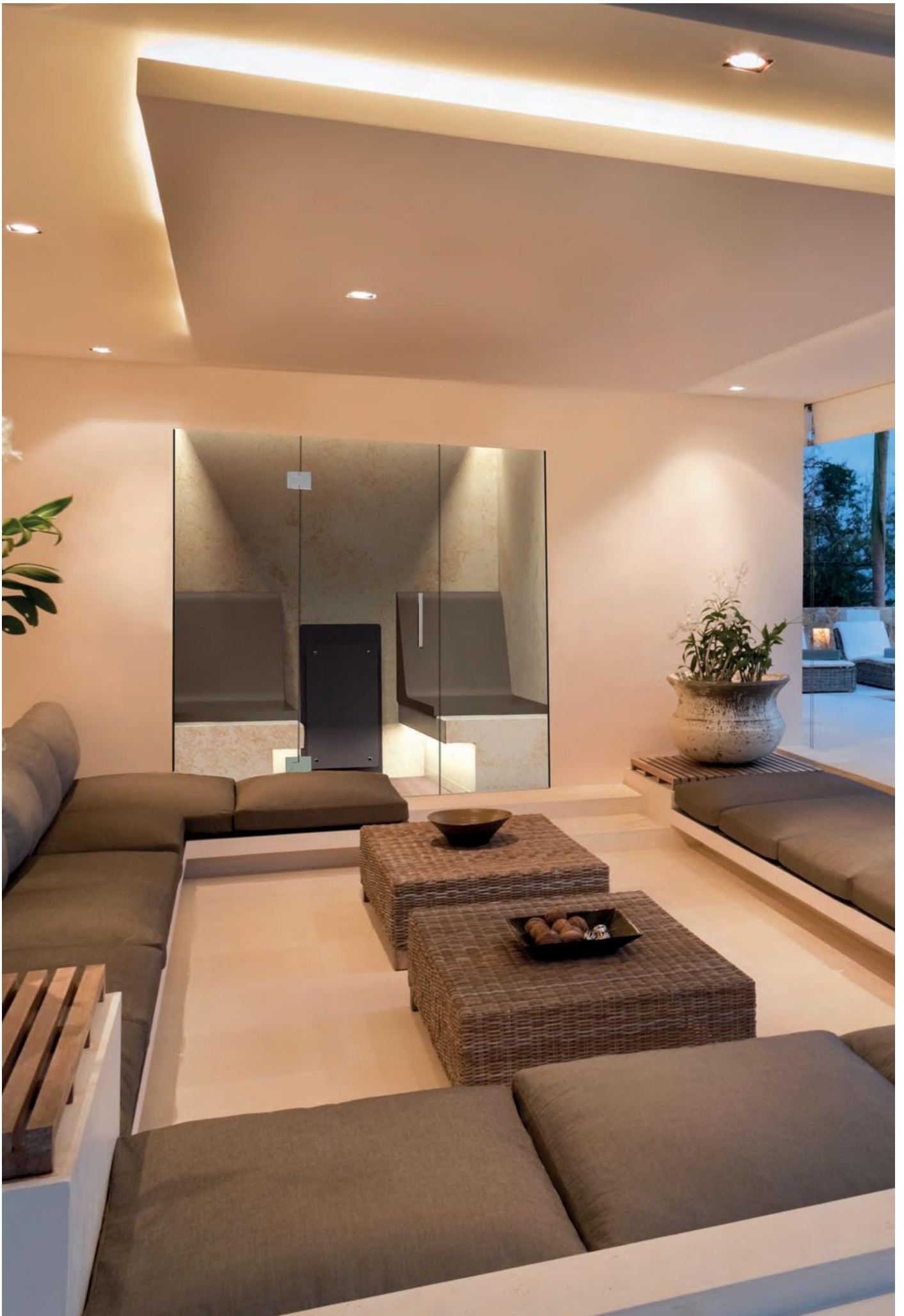
Operation Steam Smart

- Steam *
- Aromatherapy *
- Colour therapy (RGB colour LED) including dimming and rotation colours

* +/- adjustable in 3 positions



- Operation Steam Deluxe
- Digital display
- Steam temperature 40 - 50 oC
- Colour therapy (RGB colour LED) including dimming and rotation colours
- Aromatherapy (3 fragrances)
- Bluetooth music (volume, playlist)



VOGUE LINE

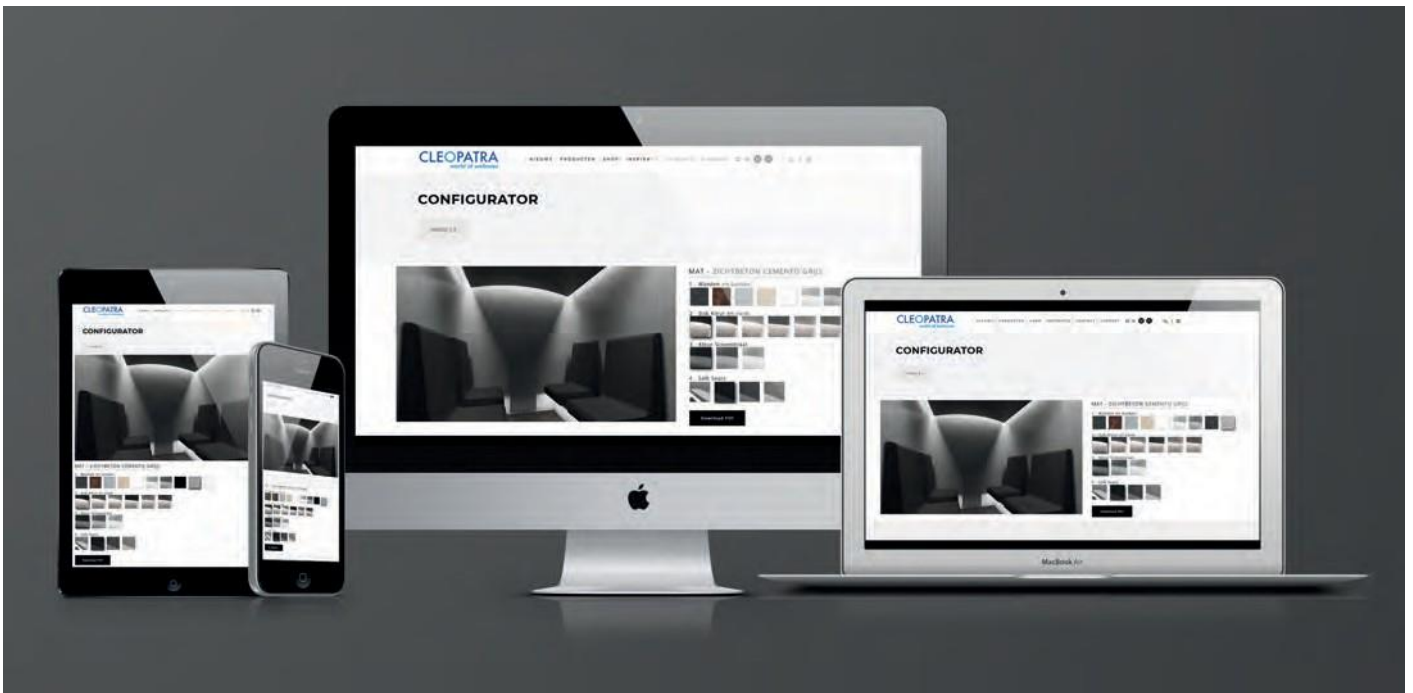
FEATURES

Vogue shower steam rooms are robust and designed for quick installation and assembly. If desired, these cabins can be custom-made, allowing them to be placed in almost any situation; both private and for professional applications. Given the many possibilities and combinations, you can put together your own Vogue cabin online. Visit the online configurator on our website: www.cleopatra.nl.

- Cabin made of insulation panels.
- Walls, roof and seat fully finished.
- 18 models; available in 3 versions.
- 8 mm glass clear, bronze or grey.
- Door frame aluminium white or RAL colour (surcharge).
- Door pivots front hinges left or right.
- Includes thermostatic tap, hand shower and slide bar.
- Cabin to be placed on a finished floor.
- External steam technology.
- Cabin can also be used as a Hamam.



ONLINE CONFIGURATOR



Do you have special requirements and would like to see what this cabin will look like? Then try our online configurator. The following pages show some examples.

Flat roof or curved roof

Wall and bench

Steam inlet



Marble - White



Graphite - Grey



Metal rust - Red



MODELS

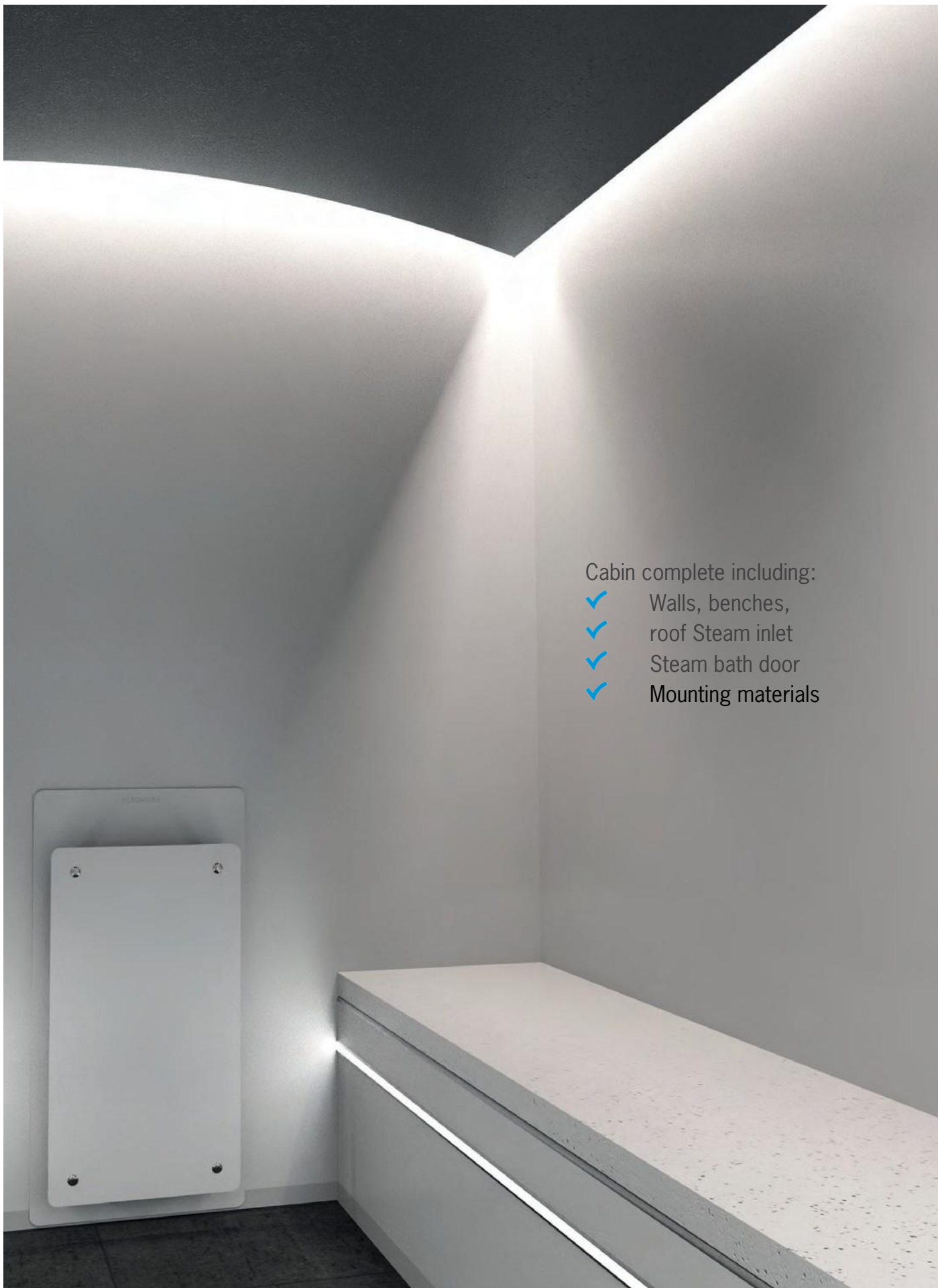
VOGUE 1500		Seats	Contents [M3]	Square XL	Double square	Showers	Cushions
model 1	1500 x 1000	1	3,1			✓	✓
model 2	1500 x 1250	2	3,9			✓	✓
model 3	1500 x 1500	3	4,7	✓		✓	✓
model 4	1500 x 1750	4	5,5	✓	✓	✓	✓
model 5	1500 x 2000	5	6,3	✓	✓	✓	✓

VOGUE 2000		Seats	Contents [M3]	Square XL	Double square	Showers	Cushions
model 11	2000 x 1000	2	4,2			✓	✓
model 12	2000 x 1250	2	5,3			✓	✓
model 13	2000 x 1500	4	6,3	✓		✓	✓
model 14	2000 x 1750	4	7,4	✓	✓	✓	✓
model 15	2000 x 2000	6	8,4	✓	✓	✓	✓
model 16	2000 x 2500	8	10,5	✓	✓	✓	✓

VOGUE 2500		Seats	Contents [M3]	Square XL	Double square	Showers	Cushions
model 20	2500 x 1000	2	5,3	✓	✓	✓	✓
model 21	2500 x 1250	2	6,6	✓	✓	✓	✓
model 22	2500 x 1500	4	7,9	✓	✓	✓	✓
model 23	2500 x 1750	4	9,2	✓	✓	✓	✓
model 24	2500 x 2000	6	10,5	✓	✓	✓	✓
model 25	2500 x 2500	8	13,1	✓	✓	✓	✓
model 26	2500 x 3000	10	15,8	✓	✓	✓	✓



Dimensions in millimetres. Other sofa layouts possible.



Cabin complete including:

- ✓ Walls, benches,
- ✓ roof Steam inlet
- ✓ Steam bath door
- ✓ Mounting materials



Dimensions and drawings see page 116.

BENCHES



Square XL bench
instead of the square bench

Square double bench
instead of the square bench

VOGUE CUSHIONS



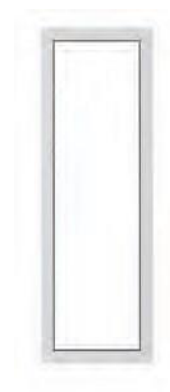
Soft seat
apply to square bench

Soft flat cushion
applicable to all benches

Soft lounge cushion
to be applied to the XL square
bench

WINDOWS M1

2050 x 500 mm	2109 40 03
2050 x 1000 mm	2109 40 10
2050 x 1250 mm	2109 40 15
2050 x 1500 mm	2109 40 20
RAL colour other than white	2105 33 50



SHOWERS



Hansgrohe Select thermostat
1 Shower function + Select
hand shower + shower hose

2812 20 00

Hansgrohe Select thermostat
2 Shower function + Select
hand shower + shower hose

2812 20 10



Hansgrohe Metropol Spray
shower and shower hose

2812 20 20



Hansgrohe roof shower
Raindance E 400 x 400 mm

2812 20 30

STEAM INLET



Steam inlet glass (2 parts)

White **2811 81 00**



Steam inlet glass (2 parts)

Grey **2811 82 00**



Steam inlet glass (2 parts)

Black **2811 83 00**

SQUARE BENCH

The square bench is an ideal bench for your Vogue steam and/or shower cabin. Besides this bench, you can optionally choose a wider variant (square bench XL) or a double square bench.

It is possible to place a waterproof cushion on the sofa for extra comfort.

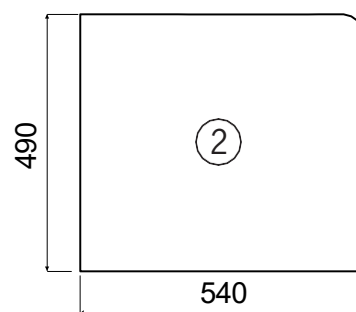
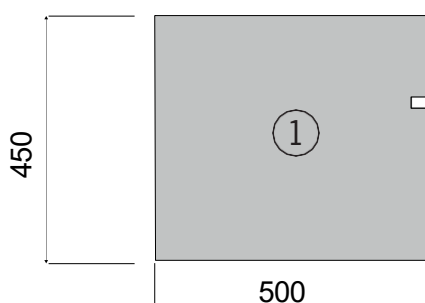
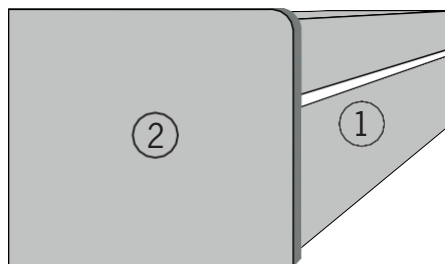
Given the many options and combinations, you can put together your own Vogue cabin online. Visit the configurator on our website: www.cleopatra.nl

Put together your ideal cabin and then download composition in pdf format.

OPTIONAL

- LED lighting strip on the front
- Cushion
- Cover plate (see drawing item 2) for side finishing.

SQUARE BENCH (STANDARD)





SQUARE BENCH XL

Do you need a wider bench in your steam and/or shower room? Then the Square XL bench is a godsend - 780 mm instead of 500 mm width.

It is possible to place a waterproof cushion on the sofa for extra comfort.

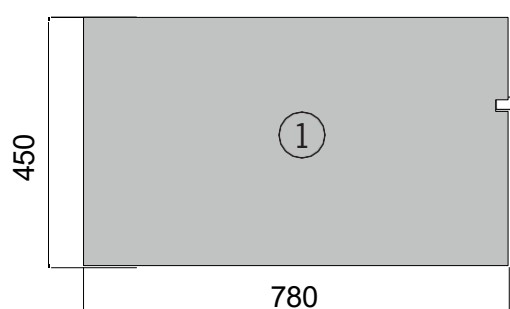
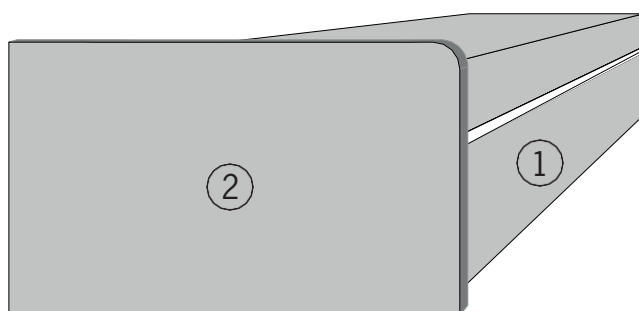
Given the many options and combinations, you can put together your own Vogue cabin online. Visit the configurator on our website: www.cleopatra.nl.

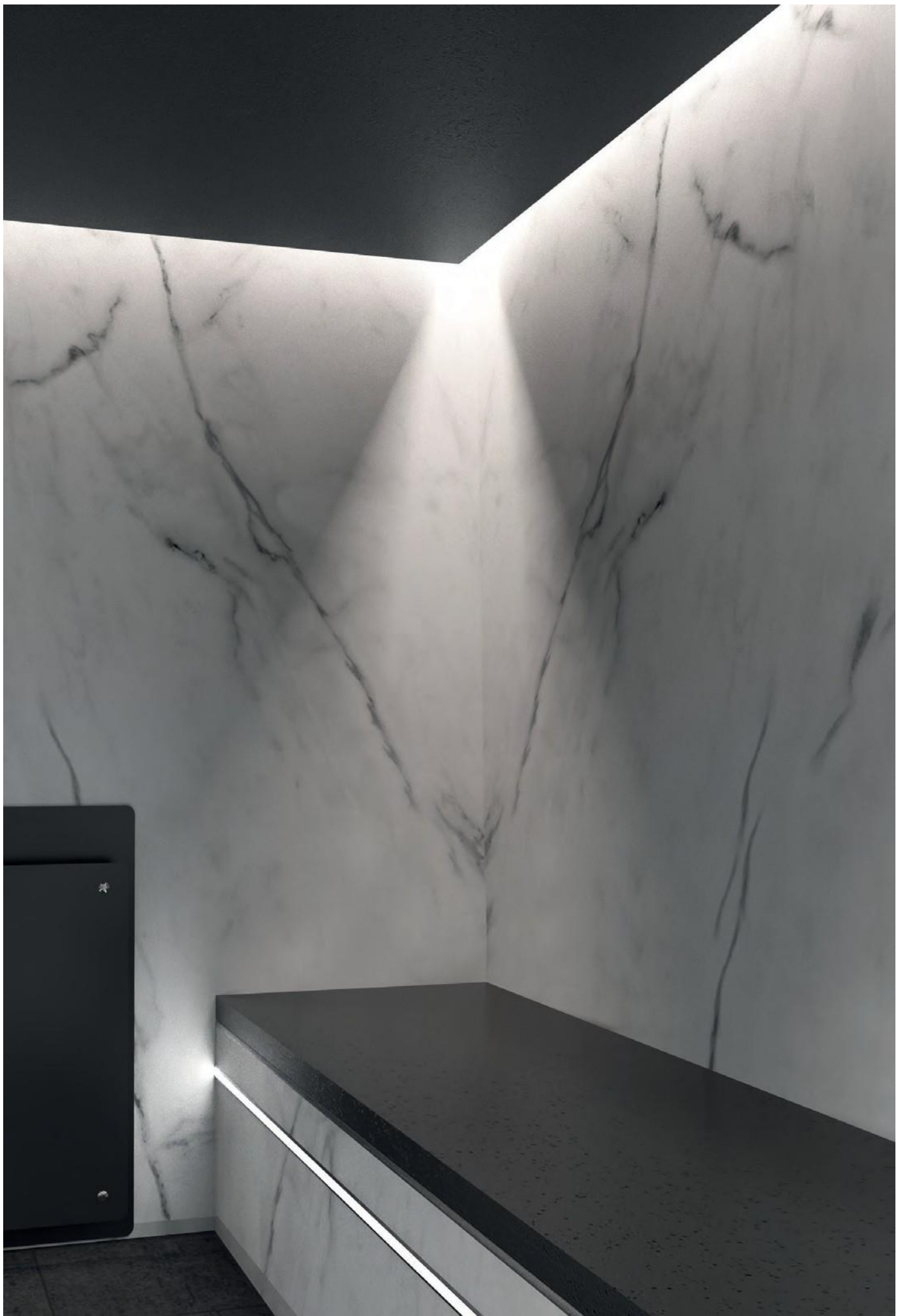
Put together your ideal cabin and then download composition in pdf format.

OPTIONAL

- LED lighting strip on the front
- Cushion
- Cover plate (see drawing item 2) for side finishing.

SQUARE XL BANK





DOUBLE SQUARE BENCH XL

The square double bench allows you to sit slightly higher in the cabin. Instead of the standard height of 450 mm, the bench then has a step up to 670 mm.

It is possible to place a waterproof cushion on the sofa for extra comfort.

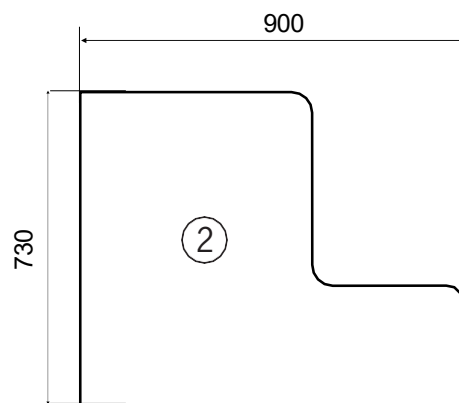
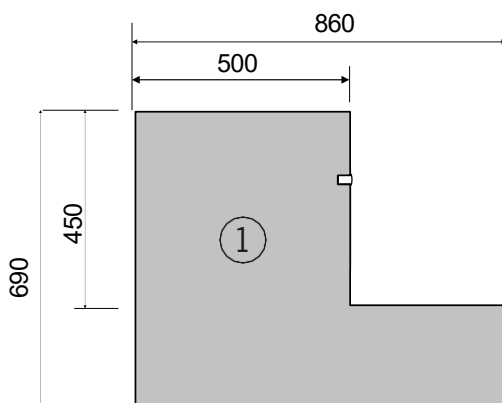
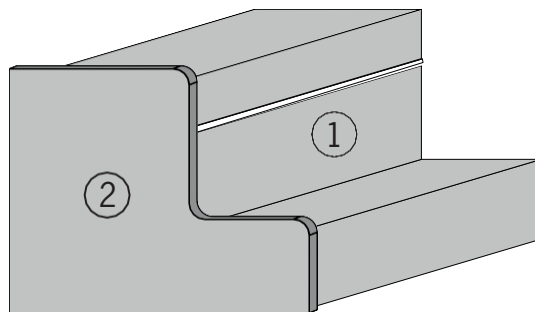
Given the many options and combinations, you can put together your own Vogue cabin online. Visit the configurator on our website: www.cleopatra.nl.

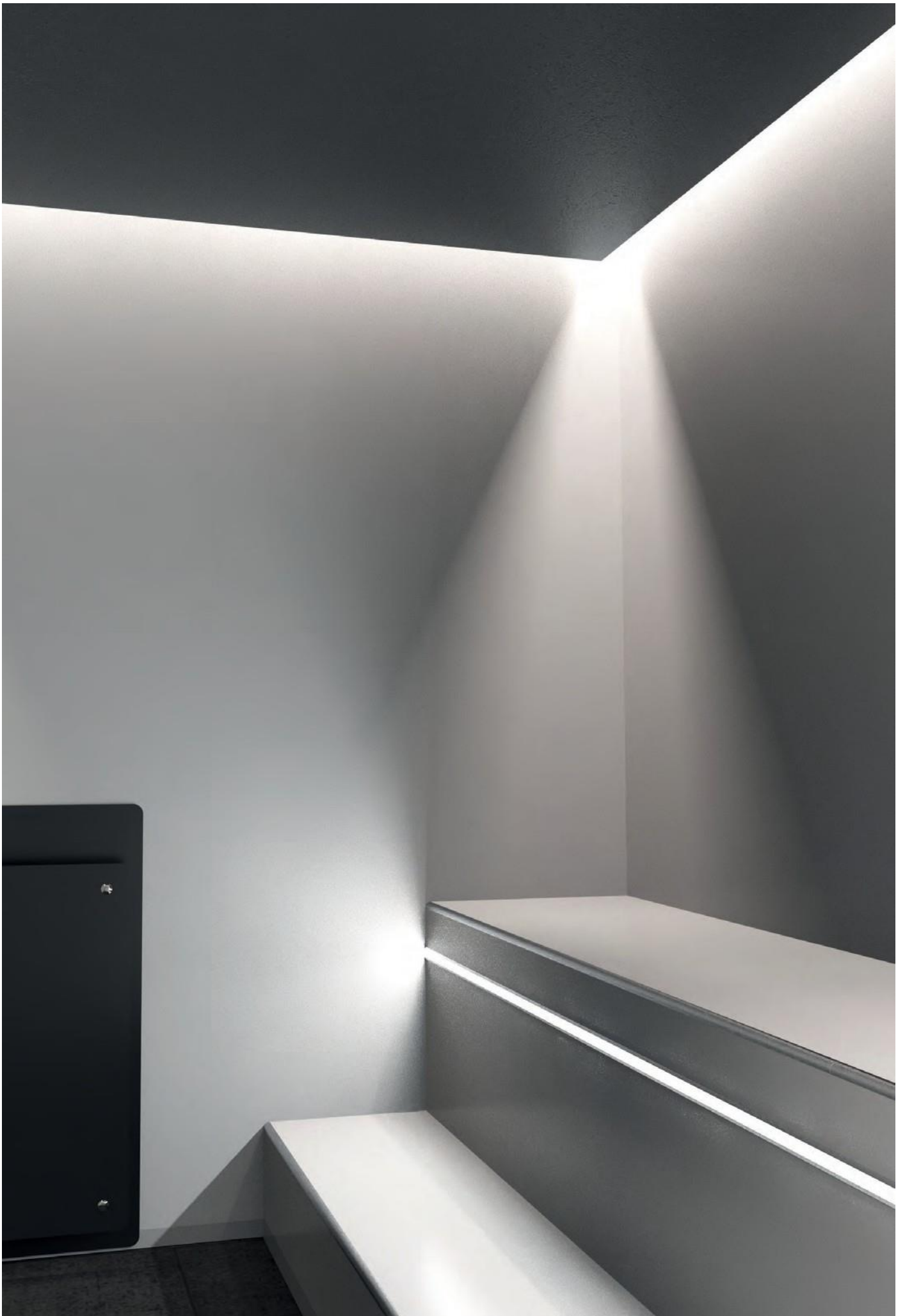
Put together your ideal cabin and then download composition in pdf format.

OPTIONAL

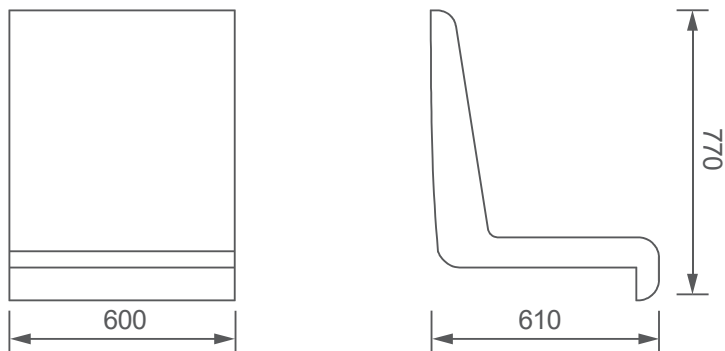
- LED lighting strip on the front
- Cushion
- Cover plate (see drawing item 2) for side finishing.

DOUBLE SQUARE XL BENCH





SOFT SEATS (OPTIONAL)



600 x 610 x 770 mm (for square bench)

- RAL 3018
- RAL 7021
- RAL 7042
- RAL 4001
- RAL 3015
- RAL 9016

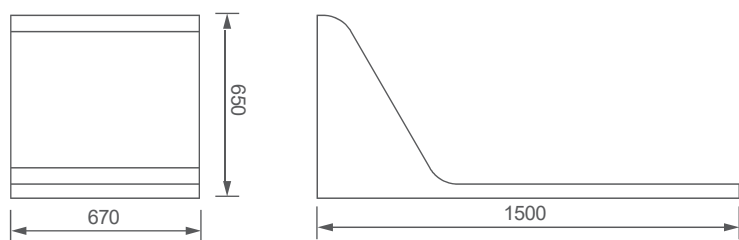
SOFT FLAT CUSHION (OPTIONAL)



730 x 500 x 50 mm
1480 x 500 x 50 mm
1670 x 670 x 50 mm (for square XL)

- RAL 3018
- RAL 7021
- RAL 7042
- RAL 4001
- RAL 3015
- RAL 9016

SOFT LOUNGE CUSHION (OPTIONAL)



1500 x 670 x 50 mm (for square XL)

- RAL 3018
- RAL 7021
- RAL 7042
- RAL 4001
- RAL 3015
- RAL 9016



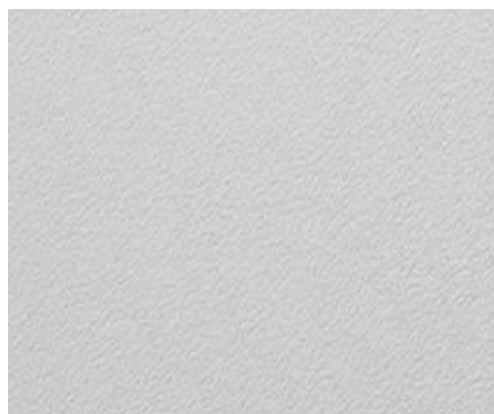
COLOURS VOGUE LINE

GLOSS

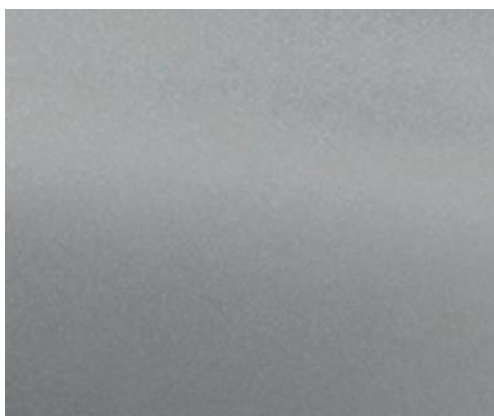


Artic White

STRUCTURED



White



Titan Grey



Graphite Grey



Other colours on request

STRUCTURED



Mediterranean - Beige



Terra - Grey



Metal rust - Red

MAT



Marble - White



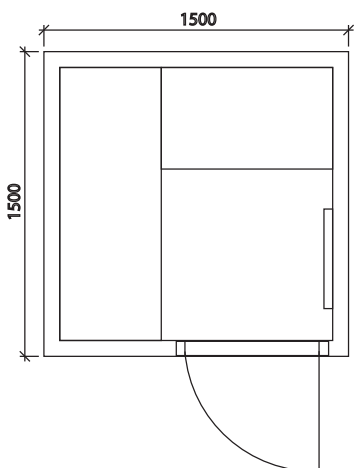
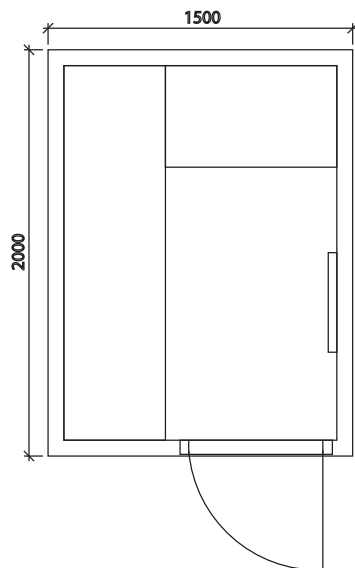
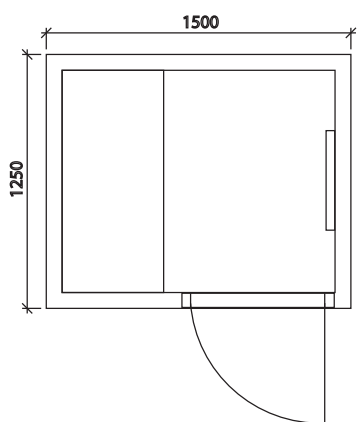
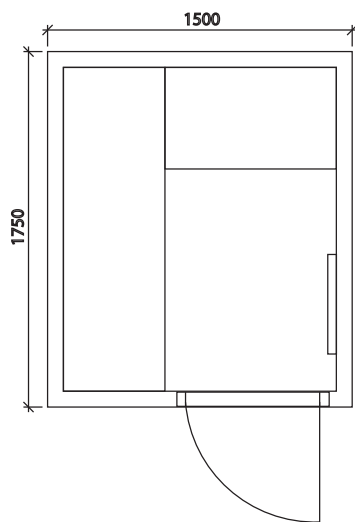
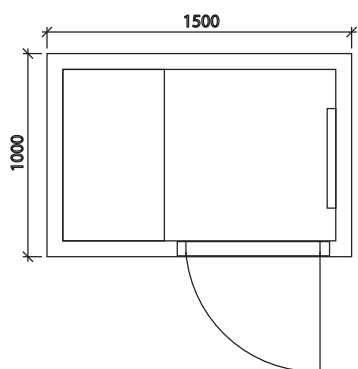
Marble - Black



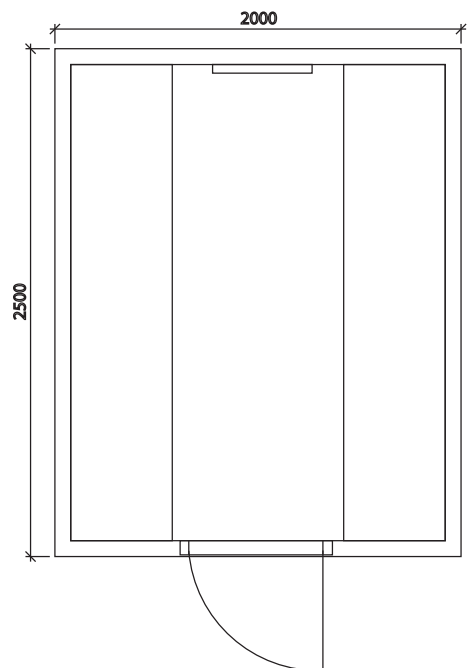
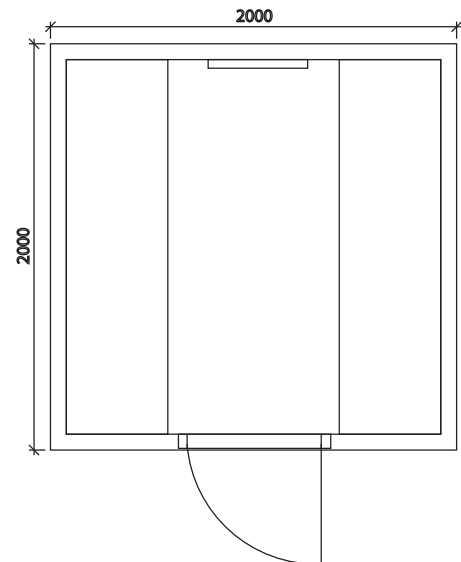
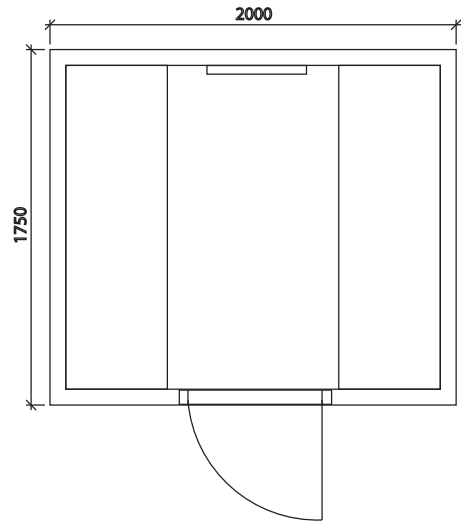
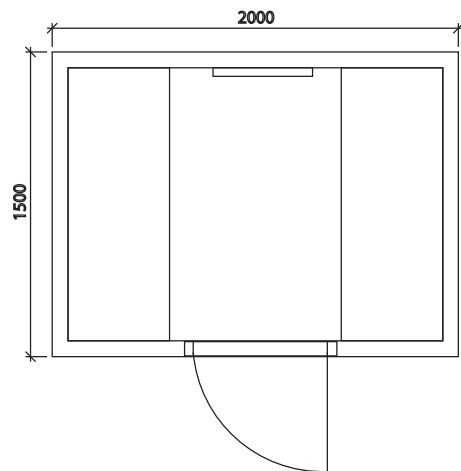
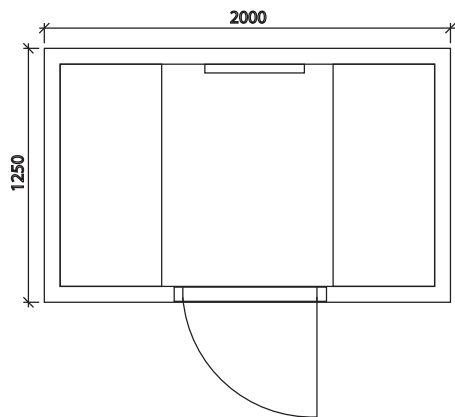
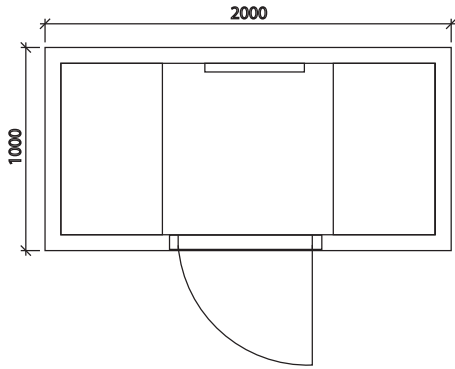
Concrete - Grey

DIMENSIONS

VOGUE 1500



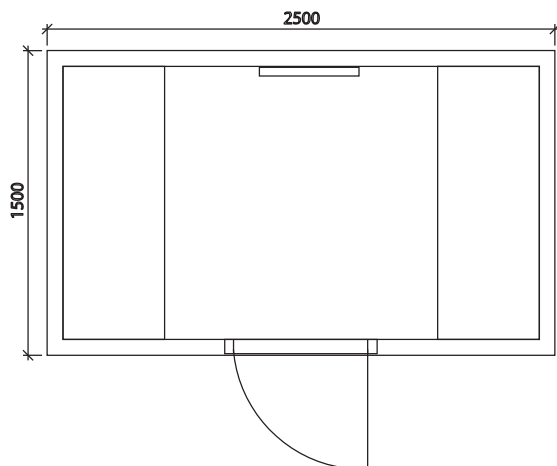
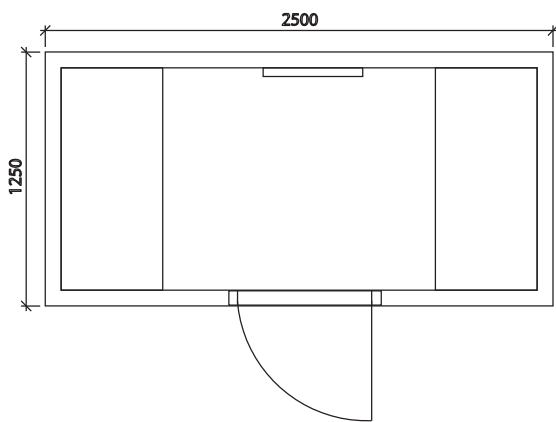
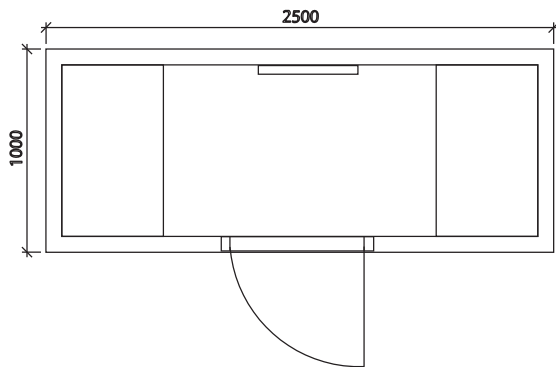
VOGUE 2000




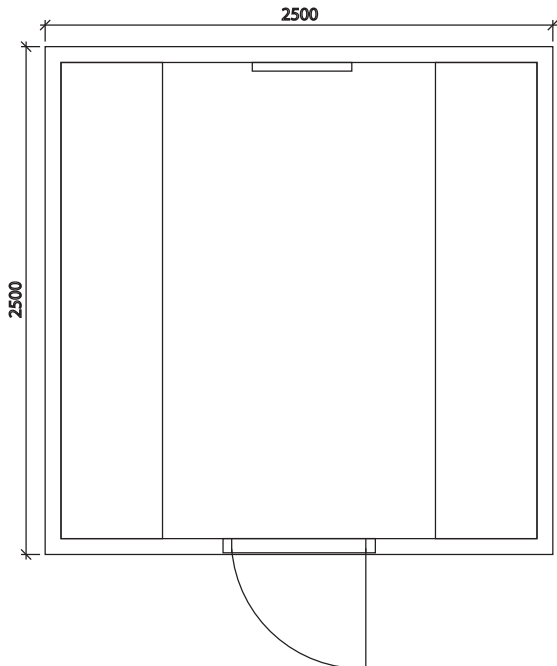
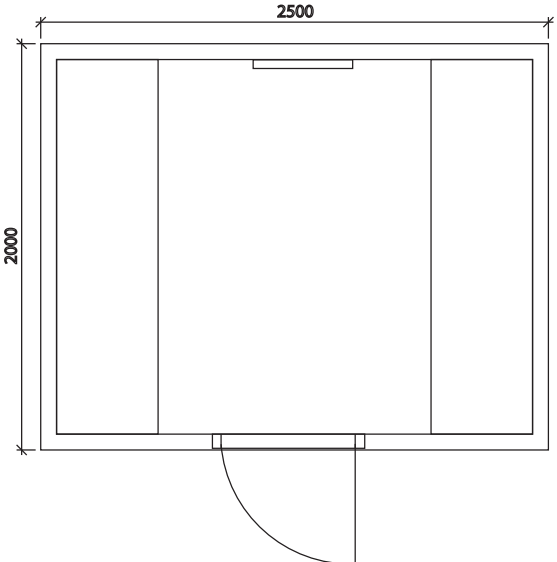
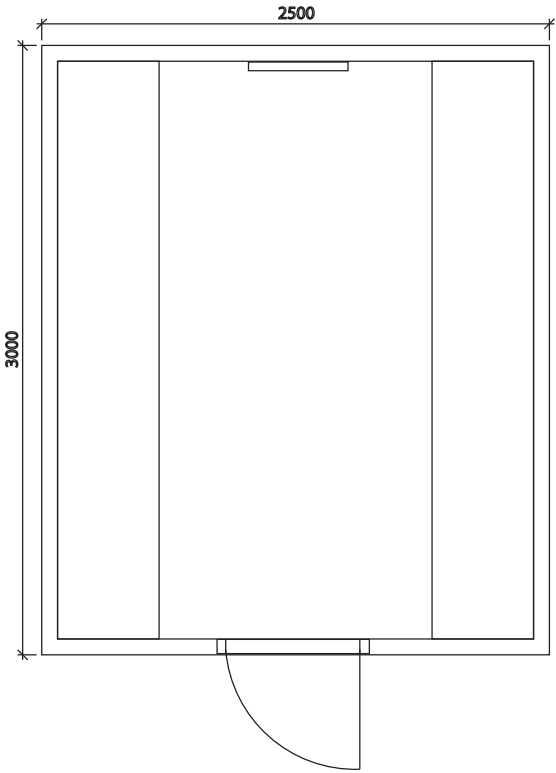
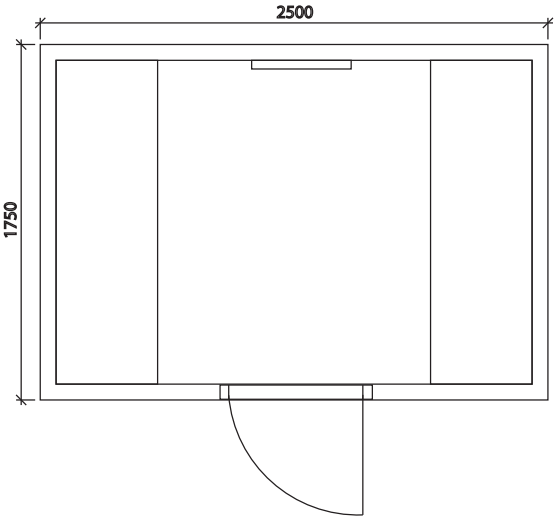
Afmetingen i

DIMENSIONS

VOGUE 2500



 Dimensions in millimetres.



HAMAM

DESCRIPTION

Hamam's - also called Turkish and/or oriental steam baths, is a place where people can wash, relax and socialise. The Hamam developed from the bathhouses and thermal baths of the Roman and Byzantine Empires. A traditional Hamam consists of three rooms connected to each other: a hot room (caldarium), a warm room (tepidarium) and a cool room (frigidarium).

The hot room, the steam bath, is for sweating in the steam and undergoing scrub and foam massages. The hot room is used for washing with soap and water. The cool room, the current relaxation room, is there for relaxing, dressing up, having a refreshing drink and taking a nap after the massage.

Cleopatra's Hamams have all the above functions integrated: one can steam, relax and shower in the same room. This at a room temperature of 40 °C. The cabins are made of modular panels and/or can be assembled structurally, which ensures ease of installation. It is unique because it is customisable in several facets: the colour, benches, door types and, of course, dimensions are customisable. You also choose the lighting and possible shower options.

The booths are durable, easy to maintain and safe for the user.

FEATURES

- Cabin made of insulation panels such as Vogue line or structural.
- Modular components for architectural cabin.
- Walls, roof and seat tileable.
- 8 mm glass clear, bronze or grey.
- Door frame aluminium white or RAL colour (surcharge).
- Various shower functions possible
- Cabin to be placed on a finished floor.
- Various sizes possible.
- Easy installation & maintenance.



HAMMAM INSPIRATION

FEATURES

For private user:

- Hamam function: steaming at 40 °C.
- Colour lighting
- Shower function
- Odour metering system
- Bluetooth music





Several options are available for **professional** applications:

- Clean Aqua System (CAS) for automatic bench rinsing.
- Standby function.
- Steam session LED dimmer
- Wellness Automation: push button and/or payment application.
- Ultrasteam & Climate Control.

HAMMAM INSPIRATION

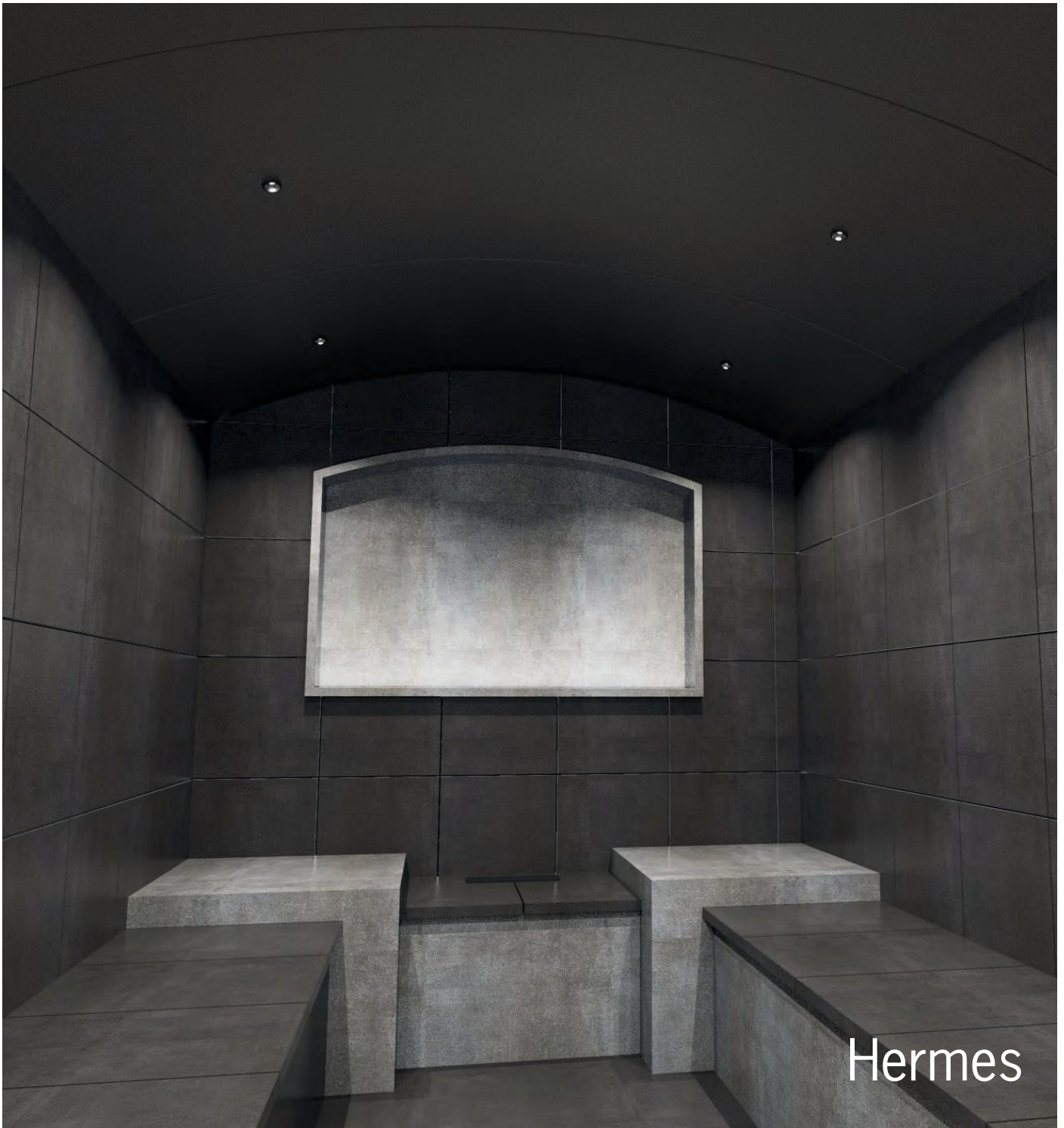
FEATURES

For private user:

- Hamam function: steaming at 40 °C.
- Colour lighting
- Shower function
- Odour metering system
- Bluetooth music



Osiris



Several options are available for **professional** applications:

- Clean Aqua System (CAS) for automatic bench flushing.
- Standby function.
- Steam session LED dimmer
- Wellness Automation: push button and/or payment application.
- Ultrasteam & Climate Control.

CHECKLIST PLACEMENT CABINS

CABIN PLACEMENT CHECKLIST

- Read the installation manual for the cabin this can be found online.
- Sizes indicated are minimum net cabin sizes and subject to tolerances.
- Due to tolerances, before installing the cabin, allow for approximately 100 mm all-round in the net cabin dimensions.
- Check that there is enough space for taps and pipework.
- For connection of ventilation and lighting, add at least 100 - 150 mm to the net height dimension.
- Have the installer determine beforehand whether the capacity of your hot water supply is sufficient. This applies with regard to pressure and water quantity, especially in connection with side showers.
- The electricity supply should be within 1 metre of the steam technology.
- Power supply: for a steam generator from 6.0 kW upwards, a 400 Volt connection is required. For 3kW, a 230 Volt connection is sufficient, 4.5 kW can be connected to a 400V or 2 x 230V connection. Make sure there is always an isolating switch.
- If you have selected the fragrance dust dosing option: The fragrance dust connection piece mounts in the part of the steam pipe that runs down the slope to the steam inlet, in an accessible place. This ensures that fragrance dust can never enter the steam generator.

STEAM TECHNOLOGY

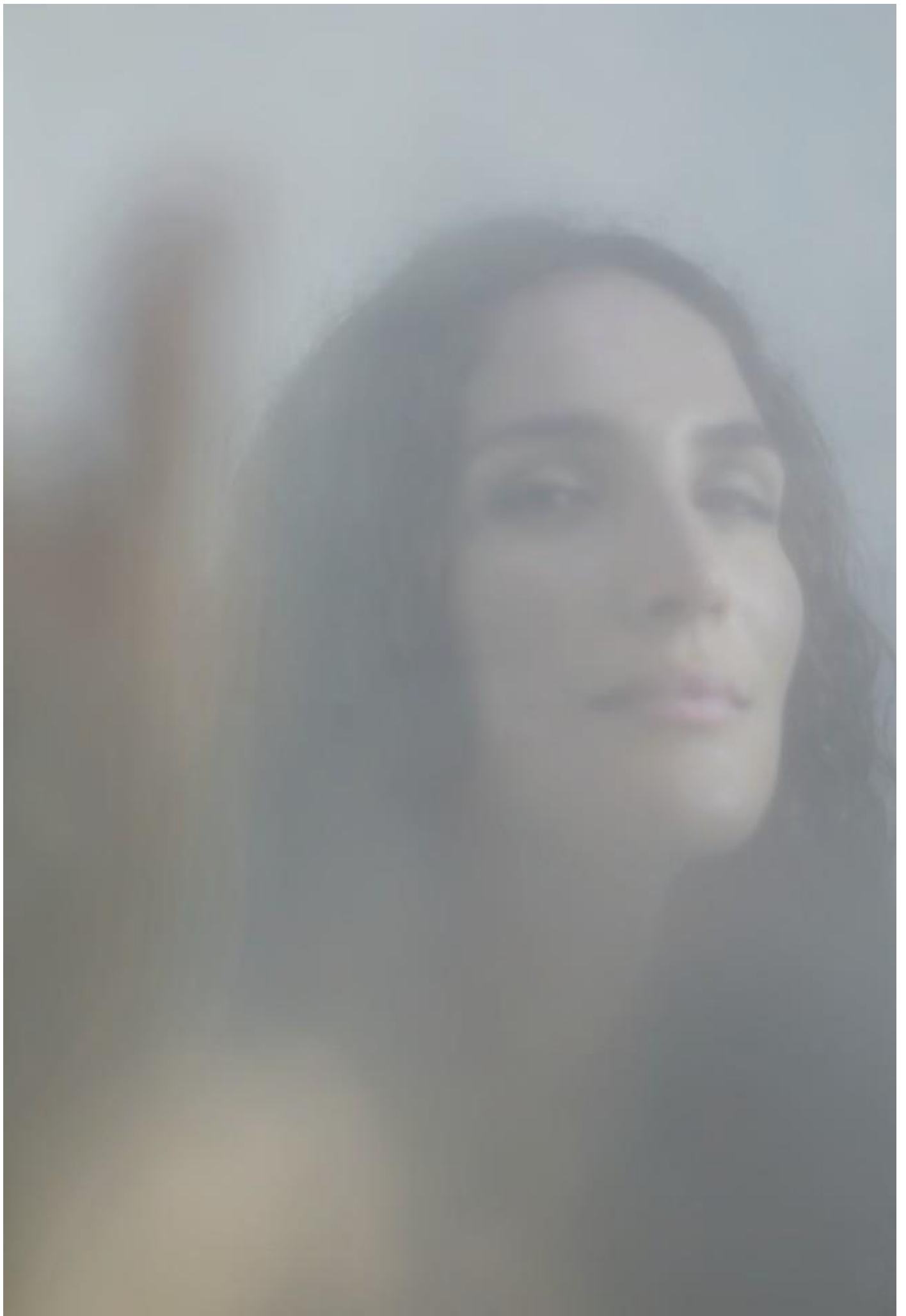
Steam production is controlled by means of the steam unit placed outside the cabin. This means that a space should be made available where the steam unit and related technology is placed (length of the steam pipe can be up to 3.5 m). This space should always be accessible. Naturally, the complete technology is equipped with all necessary safety devices; always read the manual before installation, which can be downloaded online.

INSTALLATION FACILITIES

- The steam shower can be installed as:
- There is a connection for hot and cold water in the room.
- There is a shower-water drain.
- There is venting for natural ventilation/mechanical.
- Make sure floors and walls are level.
- In a structural cabin, insulate the walls.
- A 230V or 400V electricity connection is present behind an isolating switch.
- A heat-resistant drain is present in the steam technology installation room.

GUARANTEE

All Cleopatra wellness cabins come with a 2-year manufacturer's warranty as standard.



SPECIAL FINISHES

Sometimes products and ranges need a little change to make the steam bath even more to your liking. With Cleopatra special finishes, we individualise our products according to customers' personal wishes with an eye for detail. These can be surfaces in acrylic or specially coloured built-in parts for the bath or steam bath.

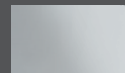




The high-quality finishing colours are manufactured on the basis of PVD technology: a modern and environmentally friendly process for the manufacture of special surfaces. Compared to galvanised chrome surfaces, this coating is more resistant to scratches and cleaning agents and less prone to corrosion.

Personalise the parts using the different colours in our configurator: www.cleopatra.nl.

stainless steel
optic - 800



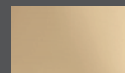
polished
chrome - 020

brushed gold
optic - 250



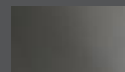
polished gold
optic - 990

brushed
bronze - 140



polished
bronze - 130

brushed black
chrome - 340



matt
black - 440

FRAGRANCES & PERFUMES

DESCRIPTION

The Cleopatra steam bath milk are a high-quality fragrance used by both individuals and professionals. The steam bath fragrances are made from 100% pure essential oil and odourless adjuvants. Ideal for aromatherapy.

- **Eucalyptus:** eucalyptus with a touch of rosemary. Eucalyptus is effective for colds and has an invigorating effect.
- **Eucamint:** blend of eucalyptus and mint; good for colds.
- **Lemongrass:** is a healthy herb works for colds, antibacterial effect, positive influence on gastrointestinal system.
- **Lavender:** lavender has a calming and soothing effect. Smells lovely and fresh.
- **Bergamot:** citrus-back scent used in aromatherapy to generate strength and energy.

The milk comes in a 5-litre or 1-litre can. Dosage: dilute with water (1 part fragrance to 5 parts water).

NEW

Aromatic salt solution to use for colds, fatigue, sore throat, eases breathing and skin. Available in two fragrances: Mediterranean Sea and Cleopatra's perfume.

Art. no.	Description
2145 30 50	Eucalyptus milk 5 litres (concentrate)
2145 40 50	Eucamint milk 5 litres (concentrate)
2145 40 60	Lemon grass milk 5 litres (concentrate)
	Eucalyptus milk 1 litre (concentrate)
	Eucamint milk 1 litre (concentrate)
	Bergamot 1 litre
	Lavender 1 litre
2216 54 00	Mediterranean salt solution 5 litres
2216 54 50	Salt solution Cleopatra 5 litres



Cleopatra offers the perfect wellness experience for individual spaces. Smart solutions for a range of unforgettable moments of personal well-being and relaxation.

If you want more information about Cleopatra, visit our website www.cleopatra.nl or contact the Cleopatra branch or partner in your country.

Cleopatra B.V. - Oostzijde 295 - 1508 EN Zaandam - The Netherlands
Tel. +31 (0)75 6478200 - info@cleopatra.nl - www.cleopatra.nl