

CLEOPATRA

world of wellness

Relax in luxury

BATHS & WHIRLPOOLS

www.cleopatra.nl



Copyright © 2026 Cleopatra BV

Cleopatra B.V. Oostzijde
295
1508 EN Zaandam,
Netherlands

www.cleopatra.nl
www.cleopatra-wellness.com

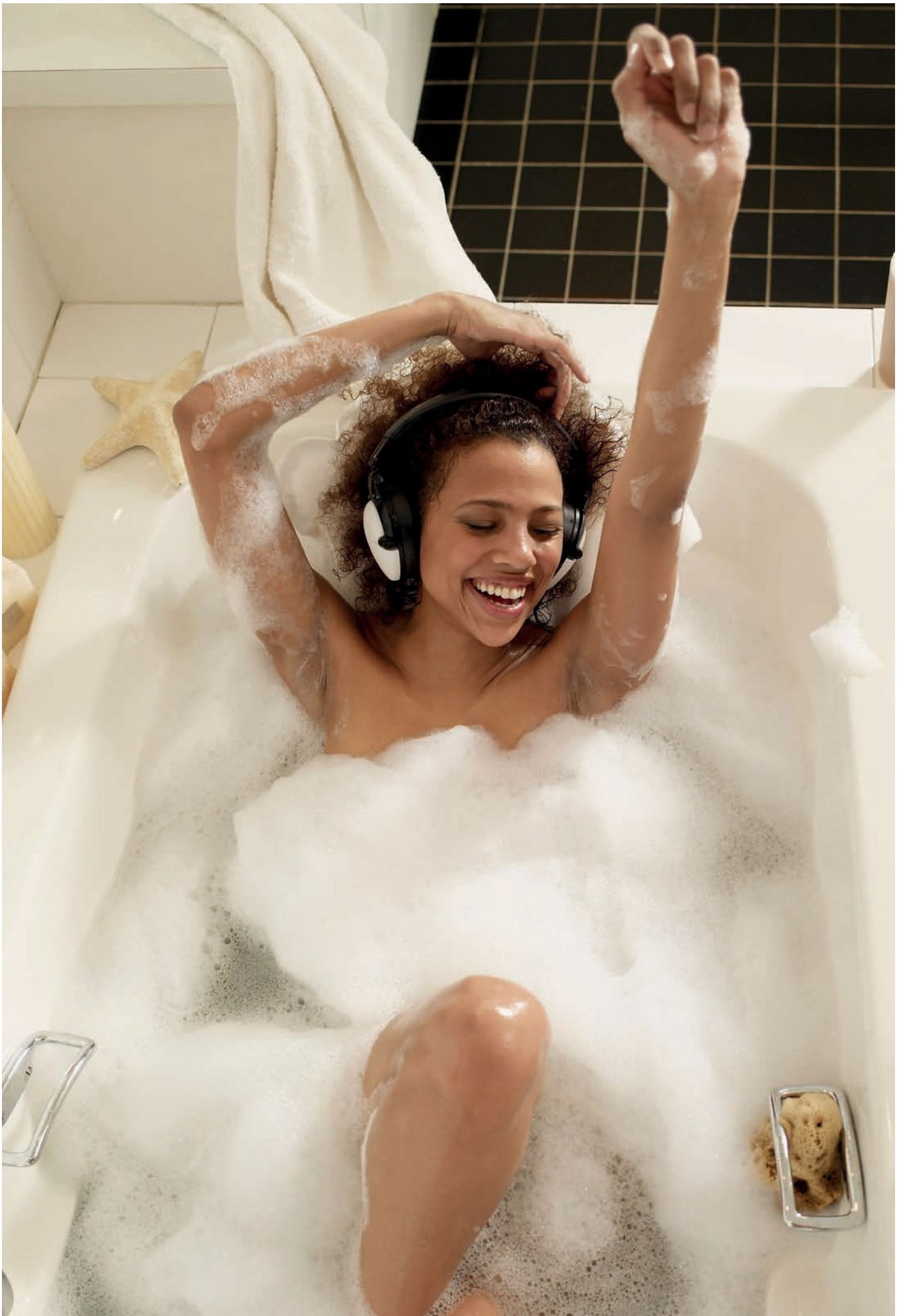
No part of this publication may be reproduced, stored in a retrieval system, or published in any form or by any means, whether electronic, mechanical, by photocopying, recording, or any other method, without the prior written permission of Cleopatra B.V.

Cleopatra B.V.'s General Terms and Conditions apply. Prices and models are subject to change.

BATHTUBS & WHIRLPOOLS

TABLE OF CONTENTS

Bathtubs in Top Form	5	Superwhirl®	60
Bath Lines	6	CleoClean	60
Overview	8		
WellPool™		Oxynation O ² · Oxygen Bath	62
Baths	10	Built-in Whirlpool Unit	64
Whirlpools	12	Professional user	65
Dimensions	14		
Premium^{line}		Options & Accessories	67
Baths	16	Special finishes	70
Whirlpools	18	Bathtub edge combinations	73
Dimensions	20	Bath Oils & Whirlpool Cleaner	75
		Technical Information	76
Luxury^{Line}			
The Power of Ergonomics	22		
		Freestanding Bathtubs	78
Luxus Solo	24	Model Overview	80
Whirlpools	26		
		Ameland	82
Luxury Duo	28	Fiji	84
Whirlpools	30	Martinique	86
		Tahiti	88
Luxus Royal	32	Texel	90
Whirlpools	34	Corsica	92
		La Palma	94
Luxus Carmenta	36	Pelican	96
Whirlpools	38	Madeira	98
		Reunion	100
Dimensions of the Luxus line	40		
		Whirlpool in a freestanding tub	102
Whirlpool Systems		Dimensions	104
How a Cleopatra whirlpool works	44	Technical Information	106
Comfort whirlpools	46		
Relax whirlpools	50		
Massage whirlpools	54		
Full-body massage whirlpools	58		



BATHING AT ITS BEST

We see the bathroom as the energy hub for the home's residents, where each resident can refresh themselves in their own favorite way and recharge.

We offer the right solution for every bathroom!

- Deep bathtubs and a wide range of bathtub shapes.
- Ergonomically designed.
- Of the highest quality.
- Whirlpools, massage tubs, and full-body massage tubs.

All bathtubs and whirlpools are made of sanitary acrylic. This unique, scratch-resistant plastic is colorfast, hygienic, and exceptionally skin-friendly. Acrylic also has excellent anti-slip properties and is easy to clean. Acrylic's high insulation value ensures that the bathwater doesn't cool down quickly.

Cleopatra® whirlpool systems give you complete freedom. For example, at no extra cost, you can decide where the control panel, pump, and/or blower will be placed. This is extremely practical for installation.

The placement and number of air and hydro jets are precisely tailored to the tub's shape and size. However, if you'd like more jets or jets in a different location, we'd be happy to create a custom whirlpool for you.

Cleopatra®'s patented systems are equipped with the necessary features to keep the tub clean and hygienic. For example, the jets and connections are designed to ensure optimal water drainage. In addition, the CleoClean system ensures that the components of the massage line are thoroughly flushed.

Cleopatra® bathtubs and whirlpools offer the option to customize the built-in components with various special finishes. Ask us about the options or visit our online special finish configurator.

Cleopatra® has enjoyed the trust of many professional institutions for many years. You'll find our bathtubs and whirlpools at locations such as Center Parcs, Mercure hotels, Golden Tulip, Amsterdam Arena, Hotel TwentySeven, countless public saunas, sports centers, sports foundation pools, and municipal swimming pools.

Cleopatra® has been a leading innovator in the field of bathing enjoyment. We don't limit ourselves to bathtubs and whirlpools. Our saunas, Aquafun shower-steam cabins, and steam baths are industry leaders in terms of technology, design, and features.

Whether it's a built-in tub, a freestanding tub, or a fully featured massage tub, Cleopatra has been manufacturing wellness products since 1966—let us surprise you with the wide range of options!

BATH COLLECTIONS

PREMIUM LINE

Relaxing baths! That has been the guiding principle behind the development of the baths in the Premium Line. On average, they are deeper than “standard” bathtubs, and even the smallest models offer plenty of space and fit into any interior.

LUXURY LINE

Unique: deep & ergonomic! The shape of the Luxury Line models allows you to submerge your entire body in warm water . The human body was central to the design. Experience this unique comfort as if you were lying in a recliner or lounge chair. The bathtubs in the Luxus Line series were designed by Van Berlo Studios.

FREESTANDING BATHTUBS

Exclusive freestanding acrylic bathtubs in a variety of unique designs. Easy to install in almost any bathroom or wellness area.

WELLPOOL LINE

Clean lines and shapes without compromising on comfort! The result is a contemporary line, seven sizes, and four shapes, each with its own character. The bathtubs in the WellPool series were designed by renowned designer Robert Bronwasser.

If you have any physical ailments, always consult your doctor first before using a bathtub, whirlpool, sauna, or any of our other wellness products.



WellPool™



WellPool Square

- 401 | 170 x 75 x 50 cm
- 410 | 180 x 80 x 51 cm
- 415 | 190 x 80 x 51 cm
- 417 | 190 x 90 x 51 cm



WellPool Soft

- 405 | 150 x 75 x 51 cm
- 406 | 160 x 75 x 51 cm
- 402 | 170 x 75 x 51 cm
- 420 | 180 x 80 x 51 cm
- 425 | 190 x 80 x 51 cm



WellPool oval

- 430 | 180 x 80 x 51 cm



WellPool lounge

- 450 | 180 x 85 x 50 cm



Square



Soft



Oval

Premium line



Victoria

- 325 | 200 x 90 x 50 cm



Lugano

- 335 | Ø 160 x 45 cm
- 340 | Ø 177 x 45 cm



Ladoga

- 360 | 190 x 90 x 50 cm



Malawi

- 370 | 185 x 85 x 50 cm



Almonte

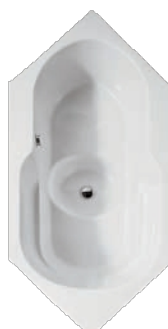
- 380 | 150 x 150 x 48 cm

Luxury line



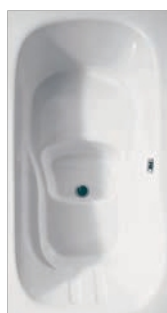
Monola L/R

- 700 | 160 x 90 x 60 cm



Iseda

- 720 | 191 x 89 x 60 cm



Solero

- 740 | 185 x 90 x 60 cm



Imaza

- 750 | 180 x 80 x 60 cm

Luxus line



Ladiva
760 | 190 x 90 x 60 cm



Pareva
770 | 190 x 100 x 60 cm



Almeda
780 | 150 x 150 x 60 cm



Magadi
790 | 172 x 172 x 60 cm



Spenida
795 | 195 x 170 x 60 cm



LoungePool
840 | 180 x 90 x 60 cm



LoungePool L/R
850 | 180 x 140 x 60 cm



Vesta L/R
940 | 155 x 135 x 57 cm



Minerva
900 | 170 x 75 x 57 cm



Antonia
910 | 180 x 80 x 57 cm
920 | 190 x 90 x 57 cm



Bellona
930 | 191 x 85 x 57 cm



Carmenta
950 | 185 x 185 x 57 cm

WELLPOOL™ LINE

The bathtubs in the Wellpool line feature contemporary lines, seven sizes, and four shapes, each with its own distinct character. The Wellpool bathtubs were designed by renowned designer Robert Bronwasser.

FEATURES

- Bathtub made of 5 mm thick acrylic reinforced with polyester.
- Visible parts and faucets come in chrome as standard.
- Depth: 510 mm.
- Dimension drawings on page 14.

OPTIONAL (page 67)

- Axor bath rim set (faucets).
- LED color lighting (2 pieces).
- Overflow/drain combination.
- Overflow/drain/inlet combination.
- Hydro heating.
- Color accents in a special finish.
- Whirlpool system.

ACCESSORIES

- Handle.
- Neck pillow.
- Bath oils.



Freestanding tub

- Includes bath leg set
- Excludes overflow/drain combination
- Excludes whirlpool system

Clean lines and shapes
without compromising on
comfort!

WellPool

- 1500 x 750 x 500 mm **405**
- 1600 x 750 x 500 mm **406**
- 1700 x 750 x 500 mm **401/402**



401 Square



402 Soft
405 Soft
406 Soft

WellPool

- 1800 x 800 x 510 mm **410/420/430**



410 Square



420 Soft



430 Oval

WellPool

- 1900 x 800 x 510 mm **425/415**
- 1900 x 900 x 510 mm **417**



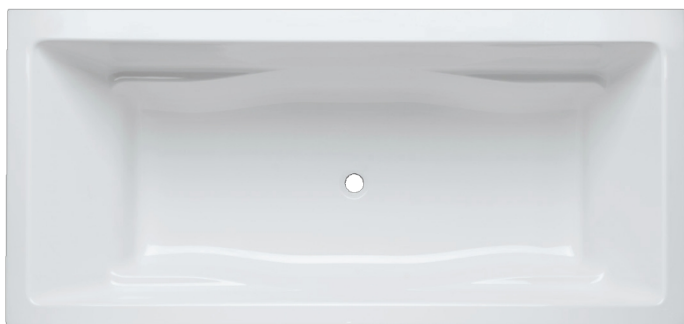
415 Square



425 Soft



417 Square



WellPool Lounge 450

1800 x 850 x 500 mm



In addition to 4 integrated armrests, the Lounge model also features 2 different backrest designs:

- A “passive” sloped side for pure relaxation
- And an “active” side for sitting a bit more upright

Complete comfort thanks to:

- Wide seat width (1340 mm)
- Four armrests
- Two different backrest options

WHIRLPOOLS WELLPOOL BATHTUBS

Comfort whirlpools

	Item number
Spa	8300 10 10
Hydro	8300 10 20
Spa/Hydro	8300 10 30

Relax Whirlpools

Spa	8300 10 70
Hydro	8300 10 80
Spa/Hydro	8300 10 90

Massage whirlpools

	Item number
Spa	8300 10 40
Hydro	8300 10 50
Spa/Hydro	8300 10 60

Oxygene O²

8300 17 00

The visible parts come in chrome as standard.
For special finishes, see page 70.

SPA SYSTEM

In this system, air is blown into the tub from the bottom—not straight up, but parallel to the tub floor—for an even greater massage effect. The result is a continuous stream of many thousands of sparkling air bubbles, both large and small, that massage the surface of the skin.

HYDRO SYSTEM

The attractive small jets in the tub wall are the hydro (water) jets, which deliver a water stream that provides a powerful, massaging effect on your back, legs, and feet. Using the controls, you can adjust the pulsation and intensity (stronger or gentler), among other settings.

COMBI SYSTEM (SPA / HYDRO)

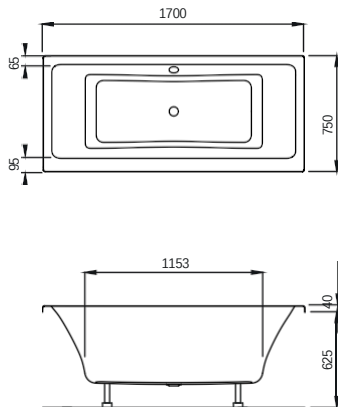
The combi system cleverly combines the powerful water jets from the bath wall with the bubbling effect of thousands of large and small air bubbles rising from the bottom. But if you prefer, you can also turn off either one!



DIMENSIONS

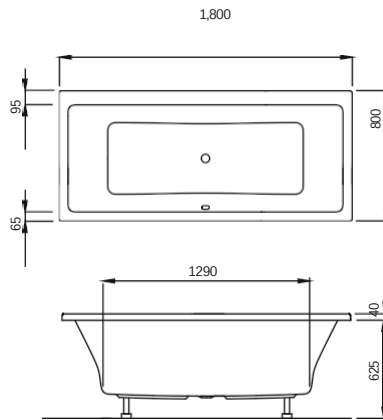
WellPool Square

401
1700 x 750 mm Capacity:
170L (includes 1 person)



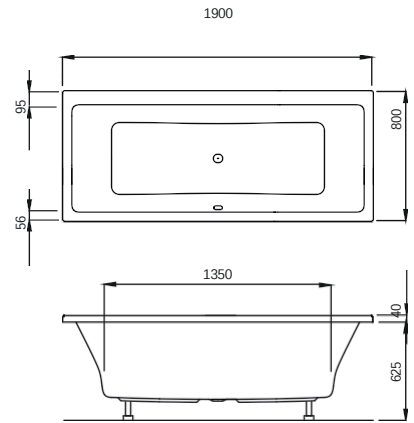
WellPool Square

410
1800 x 800 mm Capacity:
227 L (includes 1 person)



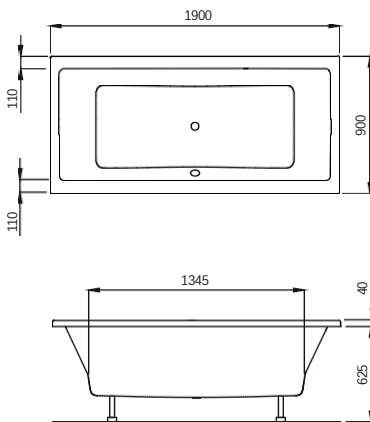
WellPool Square

415
1900 x 800 mm Capacity:
247 L (includes 1 person)



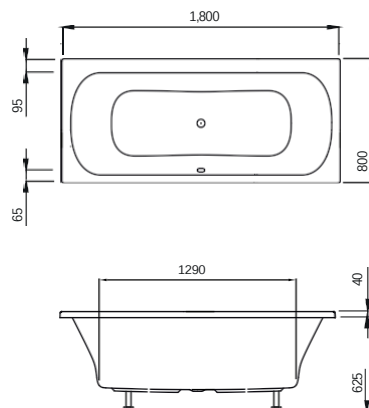
WellPool Square

417
1900 x 900 mm Capacity:
260L (includes 1 person)



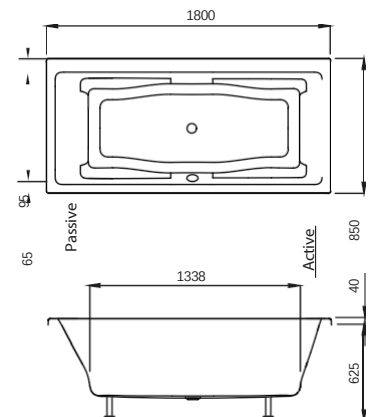
WellPool Oval

430
1800 x 800 mm Capacity:
212 L (includes 1 person)



WellPool Lounge

450
1800 x 850 mm Capacity:
245 L (includes 1 person)



Please note! When using a bathtub surround, we recommend leaving a 5cm wide strip of tile between the bathtub and the wall.

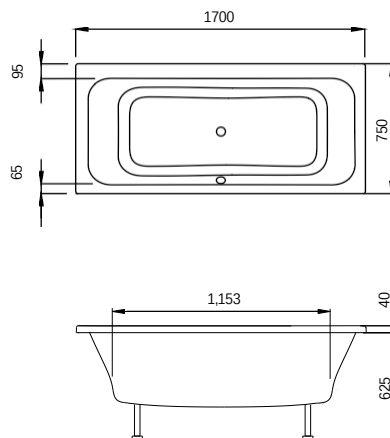
Depth +/- 500 mm

All WellPool tubs come with a leg set (included separately). All whirlpools come with a frame, adjustable legs, and an overflow/drain combination.

WellPool Soft

402

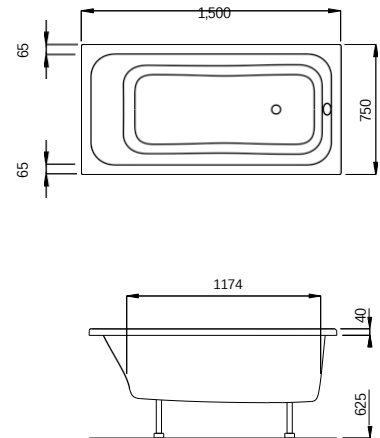
1700 x 750 mm Capacity:
166 L (includes 1 person)



WellPool Soft

405

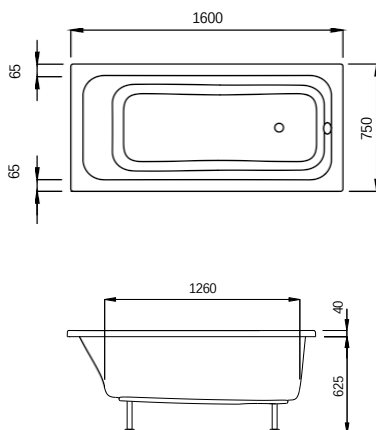
1500 x 750 mm Capacity:
142 L (includes 1 person)



WellPool Soft

406

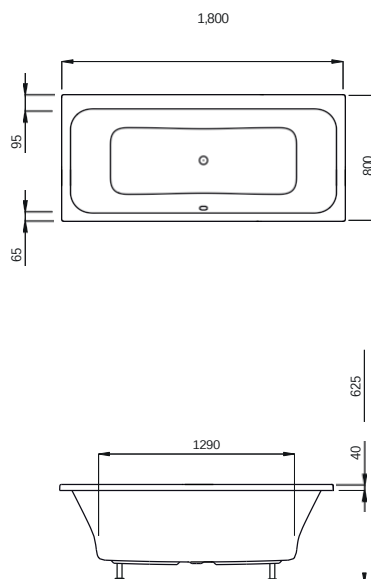
1600 x 750 mm Capacity:
150 L (includes 1 person)



WellPool Soft

420

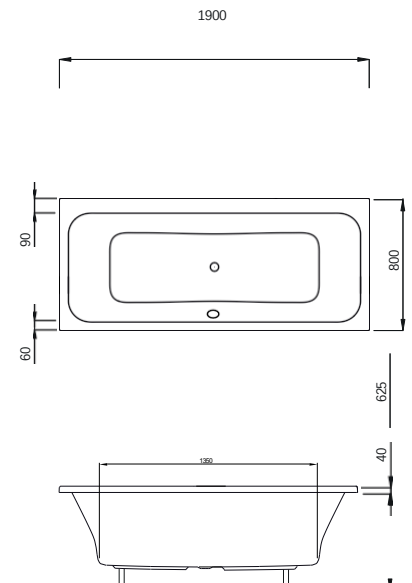
1800 x 800 mm Capacity:
222L (includes 1 person)



WellPool Soft

425

1900 x 800 mm Capacity:
242 L (includes 1 person)



PREMIUM LINE

Relaxing baths! That was the guiding principle behind the development of the Premium line bathtubs. On average, they are deeper than “regular” bathtubs, and even the smallest models offer plenty of space and fit into any interior.

FEATURES

- Bathtub made of 5 mm thick acrylic reinforced with polyester.
- Visible parts and faucets come in chrome as standard.
- Depth: 400–500 mm.
- See page 20 for dimensional drawings.

OPTIONAL (page 67)

- Axor bath rim set (faucets).
- LED color lighting (2 pieces).
- Overflow/drain combination.
- Overflow/drain/inlet combination.
- Hydro heating.
- Color accents in a special finish.

ACCESSORIES

- Handle.
- Neck pillow.
- Bath oils.



Relaxing baths: the foundation of the Premium bathtubs.

Freestanding tub

- Includes bath leg set
- Excludes overflow/drain combination
- Excludes whirlpool system

Malawi 370

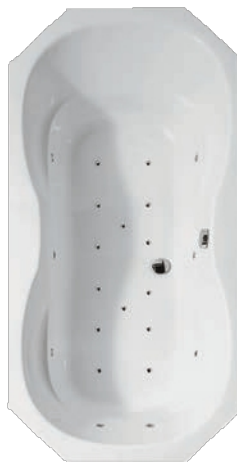
1850 x 850 x 500 mm



Shown here with Spa/Hydro system

Ladoga 360

1900 x 900 x 500 mm



Shown here with Spa/Hydro system

Victoria 325

2000 x 900 x 500 mm



Shown here with the Spa/Hydro system

Almonte 380

1500 x 1500 x 480 mm



Shown here with Spa/Hydro system

Lugano 340

1770 mm round
Depth: 445 mm



Shown here with Spa/Hydro system

Lugano 335

1600 mm round
Depth: 410 mm



Shown here with Spa/Hydro system

See page 19 for the exact number of jets.

WHIRLPOOLS PREMIUM BATHTUBS

Comfort Whirlpools

	Item number
Spa	8300 11 10
Hydro	8300 11 20
Spa/Hydro	8300 11 30

Relax Whirlpools

Spa	8300 11 70
Hydro	8300 11 80
Spa/Hydro	8300 11 90

Massage whirlpools

	Item number
Spa	8300 11 40
Hydro	8300 11 50
Spa/Hydro	8300 11 60

Oxygene O²

8300 17 00

The visible parts come in chrome as standard.
For special finishes, see page 70.

SPA SYSTEM

In this system, air is blown into the tub from the bottom—not straight up, but parallel to the tub floor—for an even greater massage effect. The result is a continuous stream of many thousands of sparkling air bubbles, both large and small, that massage the surface of the skin.

HYDRO SYSTEM

The attractive small jets in the tub wall are the hydro (water) jets, which deliver a water stream that provides a powerful, massaging effect on your back, legs, and feet. Using the controls, you can adjust the pulsation and intensity (stronger or gentler), among other settings.

COMBI SYSTEM (SPA / HYDRO)

The combi system cleverly combines the powerful water jets from the bath wall with the bubbling effect of thousands of large and small air bubbles rising from the bottom. But if you prefer, you can also turn off either one!

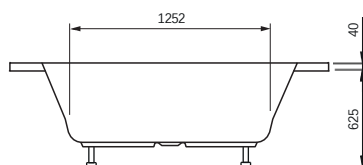
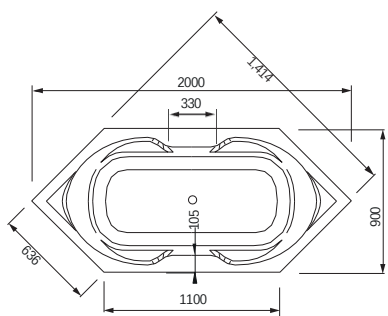


DIMENSIONS

Victoria

325

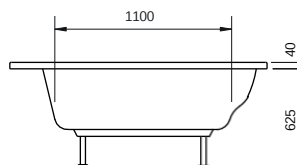
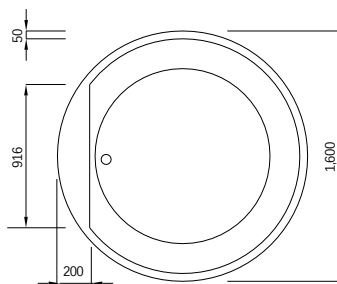
2000 x 900 mm Capacity:
200 L (includes 1 person)



Lugano

335

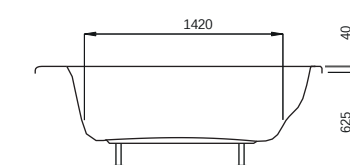
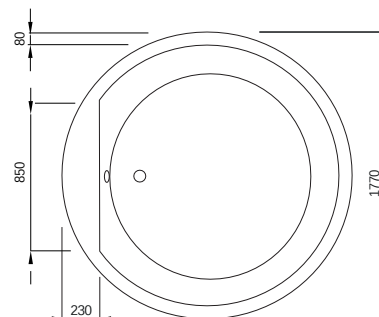
1600 mm diameter
Capacity: 270L (includes 1
person)



Lugano

340

1770 mm diameter Capacity:
400 L (includes 1 person)



Please note! When using a bathtub edge combination, we recommend leaving a 5 cm wide tile strip between the bathtub and the wall.

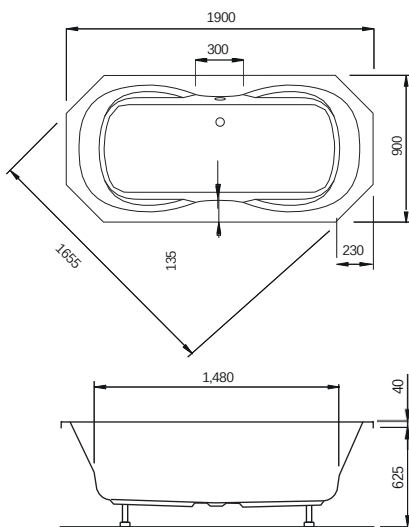
Depth +/- 500 mm

All Premium bathtubs come with a leg set (shipped separately). All whirlpool tubs come with a frame and adjustable legs.

Ladoga

360

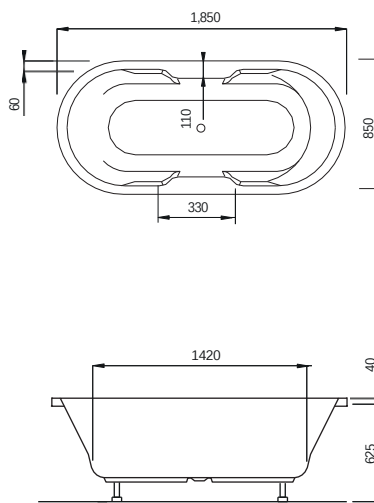
1900 x 900 mm Capacity:
234L (includes 1 person)



Malawi

370

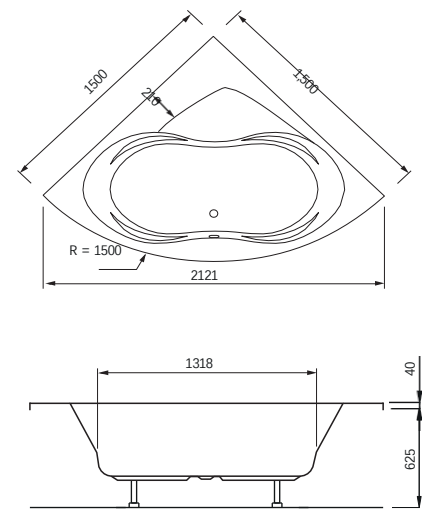
1850 x 850 mm Capacity:
260 L (includes 1 person)



Almonte

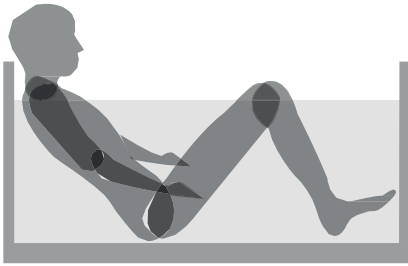
380

1500 x 1500 mm Capacity:
214 L (includes 1 person)



THE POWER OF ERGONOMICS

*Relax without
comprom
ises*

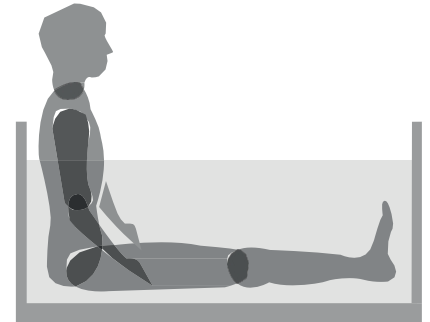


Scenario 1

A traditional flat-bottomed bathtub is too small and too shallow; sinking down means your knees are above the water.

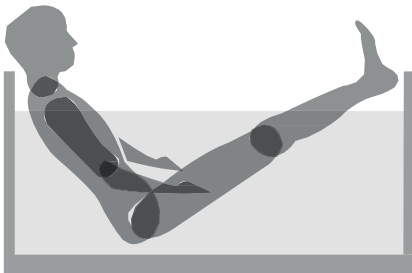
Scenario 2

A traditional flat-bottomed bathtub is too shallow, so the upper body ends up above the water if the legs are submerged.



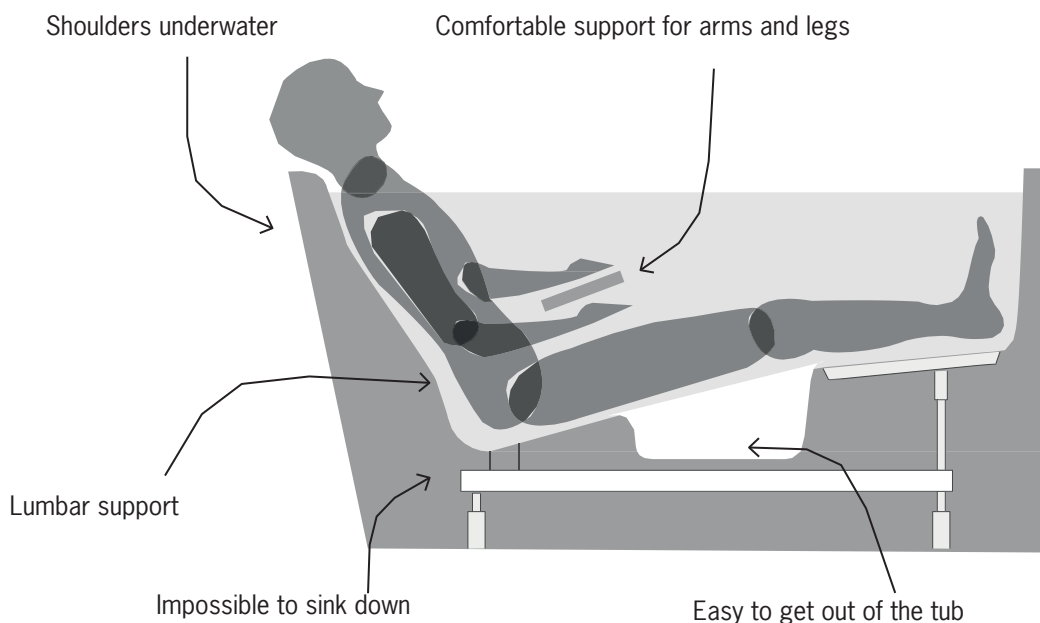
Scenario 3

A traditional flat-bottomed bathtub is too large and shallow, causing you to sink and float.



Ergonomic Bathtub

In an ergonomic bathtub, the body is sufficiently supported to allow for complete relaxation. Don't compromise on your wellness experience—choose an ergonomic bathtub from Cleopatra!



LUXUS LINE SOLO

Enjoy being submerged up to your neck without getting cold knees. The Luxus Line Solo models are extremely popular thanks to their 600 mm depth.

FEATURES

- Bathtub made of 5 mm thick acrylic reinforced with polyester.
- Visible parts and faucets come in chrome as standard.
- Depth: 600 mm.
- See page 40 for dimensional drawings.

OPTIONAL (page 67)

- Axor bath rim combination (faucet set).
- LED color lighting (2 pieces).
- Overflow/drain/inlet combination.
- Hydro heating.
- Color accents in Special finish.

ACCESSORIES

- Handle.
- Neck pillow.
- Bath oils.



Freestanding tub

- Does not include whirlpool system
- Includes overflow/drain combination
- Includes frame

Unique: spacious,
deep, ergonomic
bathtubs

Solero 740

1850 x 900 x 600 mm



Shown here with Spa/Hydro system

Iseda 720

1910 x 890 x 600 mm



Shown here with Spa/Hydro system

Minerva 900

1700 x 750 x 570 mm



Shown here without a system

Bellona 930

1910 x 850 x 570 mm



Shown here without a system

Monola 700 L

1600 x 900/600 x 600 mm



Shown here: left model with Spa/Hydro system

Monola 700 R

1600 x 900/600 x 600 mm



Shown here is the right-hand model with Spa/Hydro system

LUXURY SOLO WHIRLPOOLS

Comfort whirlpools

Spa	8300 12 10
Hydro	8300 12 20
Spa/Hydro	8300 12 30

Relax Whirlpools

Spa	8300 14 10
Hydro	8300 14 20
Spa/Hydro	8300 14 30

Massage whirlpools

Spa	8300 12 40
Hydro	8300 12 50
Spa/Hydro	8300 12 60

Full Body (Solero & Minerva) 8300 15 20

Oxygene O² 8300 17 00

Visible parts come in chrome as standard. For special finishes, see page 70.



SPA SYSTEM

In this system, air is blown into the tub from the bottom—not straight up, but parallel to the tub floor—for an even greater massage effect. The result is a continuous stream of many thousands of sparkling air bubbles, both large and small, that massage the surface of the skin.



HYDRO SYSTEM

The attractive small jets in the tub wall are the hydro (water) jets, which deliver a stream of water that provides a powerful, massaging effect on your back, legs, and feet. Using the controls, you can adjust settings such as the pulsation and intensity (stronger or gentler).



COMBI SYSTEM (SPA / HYDRO)

The combi system cleverly combines the powerful water jets from the bath wall with the bubbling effect of thousands of large and small air bubbles rising from the bottom. But if you prefer, you can also turn off either one!



FULL-BODY MASSAGE

A unique system developed by Cleopatra for the discerning user seeking a full-body massage. The water jets are located not only in the side walls but also in the floor—creating a delightful massage with adjustable intensity.

LUXUS LINE DUO

Thanks to its size and shape, two people can lie in a Luxus Duo tub, both submerged up to their shoulders. The design was centered on the human body. Experience the unique comfort as if you were lying in a two-person recliner.

FEATURES

- Bathtub made of 5 mm thick acrylic reinforced with polyester.
- Visible parts and faucets come standard in chrome.
- Depth: 600 mm.
- See page 40 for dimensional drawings.

OPTIONAL (page 67)

- Axor bath rim set (faucets).
- LED color lighting (2 pieces).
- Overflow/drain/inlet combination.
- Hydro heating.
- Color accents in Special finish.

ACCESSORIES

- Handle.
- Neck pillow.
- Bath oils.



- Freestanding tub
 → Does not include whirlpool system
 → Includes overflow/drain combination
 → Includes frame

Double the fun: spacious, deep, and ergonomic tubs for two people!

Loungepool 840

1800 x 900 x 600 mm



Shown here with Spa/Hydro system

Imaza 750

1800 x 800 x 600 mm



Pictured here with Spa/Hydro system

Ladiva 760

1900 x 900 x 600 mm



Shown here with Spa/Hydro system

Pareva 770

1900 x 1000 x 600 mm



Shown here with Spa/Hydro system

Antonia 910

1800 x 800 x 570 mm



Shown here without a system

Antonia 920

1900 x 900 x 570 mm



Shown here without a system

LUXURY DUO WHIRLPOOLS

Comfort whirlpools

Spa	8300 12 10
Hydro	8300 12 20
Spa/Hydro	8300 12 30

Relax Whirlpools

Spa	8300 14 10
Hydro	8300 14 20
Spa/Hydro	8300 14 30

Massage whirlpools

Spa	8300 12 40
Hydro	8300 12 50
Spa/Hydro	8300 12 60

Full Body	8300 15 30
-----------	------------

Oxygene O²	8300 17 00
------------------------------	------------

Visible parts come in chrome as standard. For special finishes, see page 70.



SPA SYSTEM

In this system, air is blown into the tub from the bottom—not straight up, but parallel to the tub floor—for an even greater massage effect. The result is a continuous stream of many thousands of sparkling air bubbles, both large and small, that massage the surface of the skin.



HYDRO SYSTEM

The attractive small jets in the tub wall are the hydro (water) jets, which deliver a stream of water that provides a powerful, massaging effect on your back, legs, and feet. Using the controls, you can adjust settings such as the pulsation and intensity (stronger or gentler).



COMBI SYSTEM (SPA / HYDRO)

The combi system cleverly combines the powerful water jets from the bath wall with the bubbling effect of thousands of large and small air bubbles rising from the bottom. But if you prefer, you can also turn off either one!



FULL-BODY MASSAGE

A unique system developed by Cleopatra for the discerning user seeking a full-body massage. The water jets are located not only in the side walls but also in the floor—creating a delightful massage with adjustable intensity.

LUXUS LINE ROYAL

Large, spacious, and luxurious—would a corner-shaped bathtub be a better fit for your bathroom? If so, choose one of the Luxus Royal bathtubs and enjoy the same comfort as with the Duo and Solo models.

FEATURES

- Bathtub made of 5 mm thick acrylic reinforced with polyester.
- Visible parts and faucets come in chrome as standard.
- Depth: 600 mm.
- See page 40 for dimensional drawings.

OPTIONAL (page 67)

- Axor bath rim set (faucets).
- LED color lighting (2 pieces).
- Overflow/drain combination.
- Overflow/drain/inlet combination.
- Hydro heating.
- Color accents in a special finish.

ACCESSORIES

- Handle.
- Neck pillow.
- Bath oils.



- Freestanding tub
 → Does not include whirlpool system
 → Includes overflow/drain combination
 → Includes frame

Very unique: spacious,
 deep, and extremely
 comfortable

Almeda 780

1500 x 1500 x 600 mm



Shown here with Spa/Hydro system

Magadi 790

1720 x 1720 x 580 mm



Pictured here with Spa/Hydro system

Spenida 795

1950 x 1700 x 600 mm



Shown here with Spa/Hydro system

Vesta 940 L/R

1550 x 1350 x 570 mm



Shown here without system

Lounge Pool 850 L/R

1800 x 1400 / 600 x 590 mm



Shown here with the Spa system



For the exact number of jets, see page 35.

LUXURY ROYAL WHIRLPOOLS

Comfort whirlpools

Spa	8300 13 10
Hydro	8300 13 20
Spa/Hydro	8300 13 30

Relax Whirlpools

Spa	8300 13 70
Hydro	8300 13 80
Spa/Hydro	8300 13 90

Massage whirlpools

Spa	8300 13 40
Hydro	8300 13 50
Spa/Hydro	8300 13 60

Full Body	8300 15 40
-----------	------------

Oxygene O²	8300 17 10
------------------------------	------------

Visible parts come in chrome as standard. For special finishes, see page 70.



SPA SYSTEM

In this system, air is blown into the tub from the bottom—not straight up, but parallel to the tub floor—for an even greater massage effect. The result is a continuous stream of many thousands of sparkling air bubbles, both large and small, that massage the surface of the skin.



HYDRO SYSTEM

The attractive small jets in the tub wall are the hydro (water) jets, which deliver a stream of water that provides a powerful, massaging effect on your back, legs, and feet. Using the controls, you can adjust settings such as the pulsation and intensity (stronger or gentler).



COMBI SYSTEM (SPA / HYDRO)

The combi system cleverly combines the powerful water jets from the bath wall with the bubbling effect of thousands of large and small air bubbles rising from the bottom. But if you prefer, you can also turn off either one!



FULL-BODY MASSAGE

A unique system developed by Cleopatra for the discerning user seeking a full-body massage. The water jets are located not only in the side walls but also in the floor—creating a delightful massage with adjustable intensity.

LUXUS CARMENTA

The Luxus Carmenta is a top-of-the-line model: a beautifully sleek bathtub with a matching cushion. Thanks to its comfortable shape and depth, you'll be submerged in no time; combined with a whirlpool system, it makes for an unforgettable experience.

FEATURES

- Bathtub made of 5 mm thick acrylic reinforced with polyester.
- Visible parts and faucets come standard in chrome.
- Depth: 570 mm.
- See page 42 for dimensional drawings.

OPTIONAL (page 67)

- Axor bath rim set (faucets).
- LED color lighting (2 pieces).
- Overflow/drain/inlet combination.
- Hydro heating.
- Color accents in a special finish.

ACCESSORIES

- Handle.
- Neck pillow.
- Bath oils.



Freestanding tub

- Does not include whirlpool system
- Includes overflow/drain combination
- Includes frame

Sleek design: spacious,
deep, and luxurious.

Carmenta 950

1850 x 1850 x 570 mm



The luxury Carmenta is shown here with Relax Spa/Hydro. Special polished gold finish.

LUXURY CARMENTA WHIRLPOOLS

Comfort whirlpools

Spa	8300 14 10
Hydro	8300 14 20
Spa/Hydro	8300 14 30

Relax Whirlpools

Spa	8300 14 70
Hydro	8300 14 80
Spa/Hydro	8300 14 90

Massage whirlpools

Spa	8300 14 40
Hydro	8300 14 50
Spa/Hydro	8300 14 60

Full Body	8300 15 50
-----------	------------

Oxygene O²	8300 17 10
------------------------------	------------

Visible parts come in chrome as standard. For special finishes, see page 70.



SPA SYSTEM

In this system, air is blown into the tub from the bottom—not straight up, but parallel to the tub floor—for an even greater massage effect. The result is a continuous stream of many thousands of sparkling air bubbles, both large and small, that massage the surface of the skin.



HYDRO SYSTEM

The attractive small jets in the tub wall are the hydro (water) jets, which deliver a water stream that provides a powerful, massaging effect on your back, legs, and feet. Using the controls, you can adjust settings such as the pulsation and intensity (stronger or gentler).



COMBI SYSTEM (SPA / HYDRO)

The combi system cleverly combines the powerful water jets from the tub wall with the bubbling effect of thousands of large and small air bubbles rising from the bottom. But if you prefer, you can also turn off either one!



FULL-BODY MASSAGE

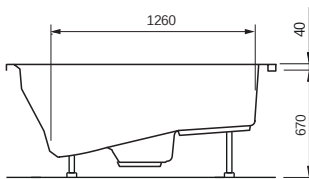
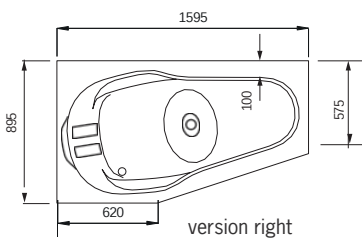
A unique system developed by Cleopatra for the discerning user seeking a full-body massage. The water jets are located not only in the side walls but also in the floor—creating a delightful massage with adjustable intensity.

DIMENSIONS

Monola

700 L/R

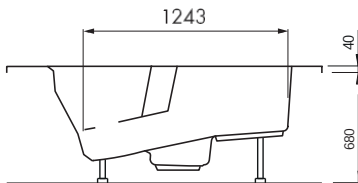
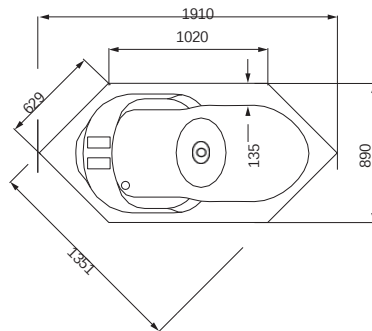
1600 x 900/600 mm
Capacity: 232 L (includes 1 person)



Iseda

720

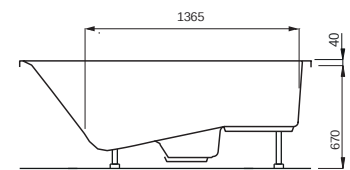
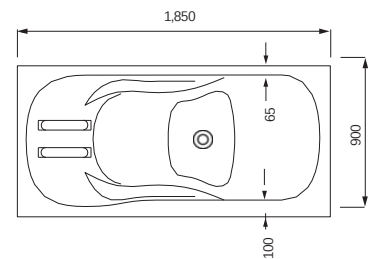
1910 x 890 mm Capacity:
246 L (includes 1 person)



Solero

740

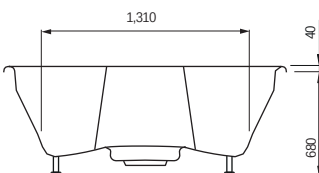
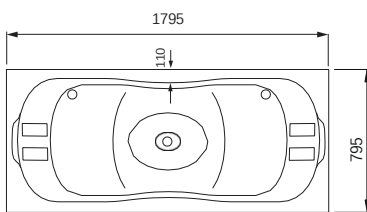
1850 x 900 mm Capacity:
320 L (includes 1 person)



Imaza

750

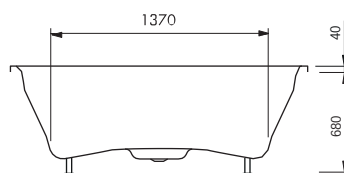
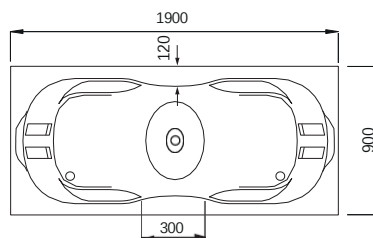
1800 x 800 mm Capacity:
320 L (includes 1 person)



Ladiva

760

1900 x 900 mm Capacity:
362 L (includes 1 person)

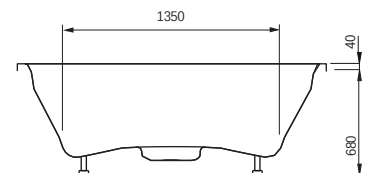
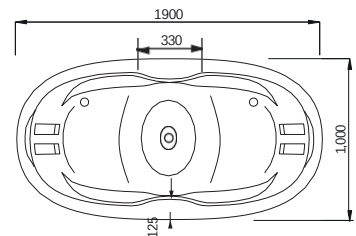


Pareva

770

1900 x 1000 mm
Capacity: 390 L (includes 1 person)

Cleopatra Pareva 770



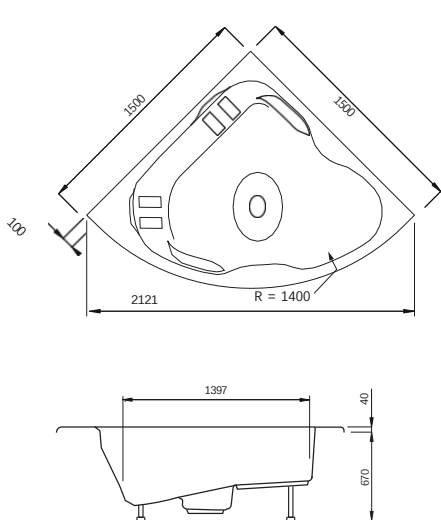
Depth +/- 600 mm

All Luxus bathtubs and whirlpools come with a frame, adjustable legs, and a drain.

Almeda

780

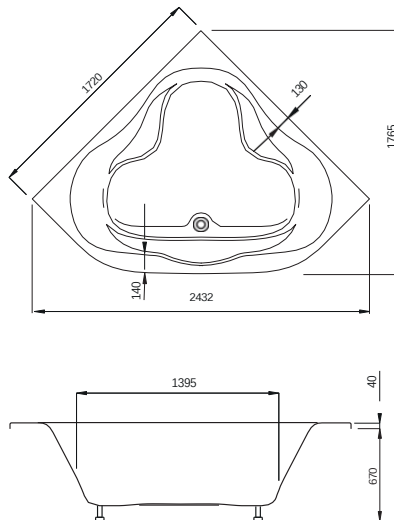
1500 x 1500 mm
Capacity: 375 L (includes 1 person)



Magadi

790

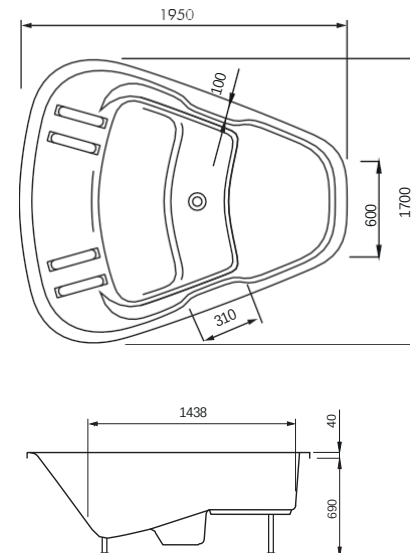
1720 x 1720 mm
Capacity: 479 L (includes 1 person)



Spenida

795

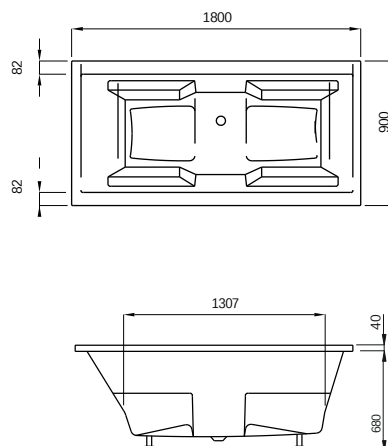
1950 x 1700 mm
Capacity: 445 L (includes 1 person)



LoungePool

840

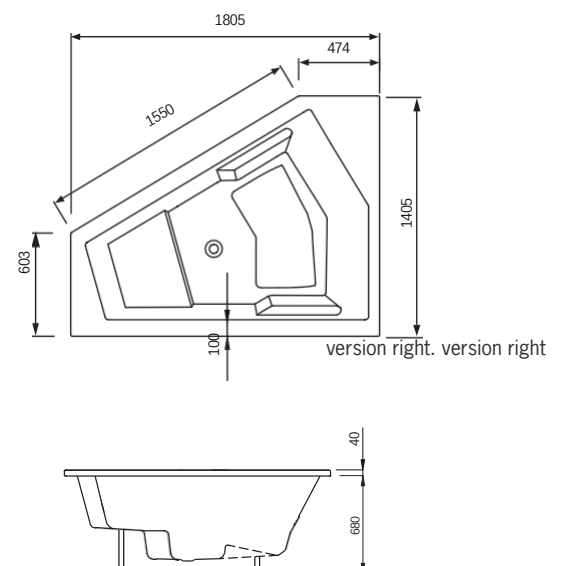
1800 x 900 mm Capacity:
340 L (includes 1 person)



LoungePool

850 L/R

1800 x 1400/600 mm
Capacity: 375 L (includes 1 person)

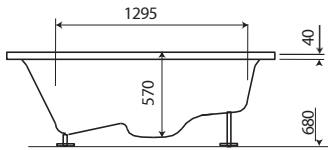
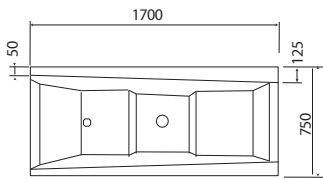


Please note! When using a bathtub surround, we recommend leaving a 5 cm wide strip of tile between the bathtub and the wall.

Depth: +/- 600 mm
All Luxus bathtubs and whirlpools come with a frame, adjustable legs, and a drain.

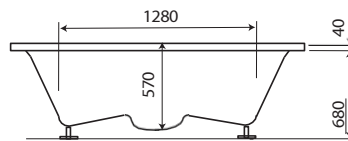
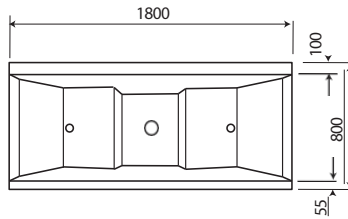
Minerva

900
1700 x 750 mm Capacity:
235 L (includes 1 person)



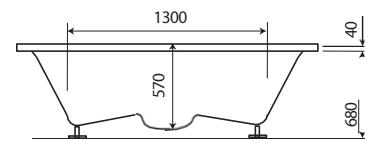
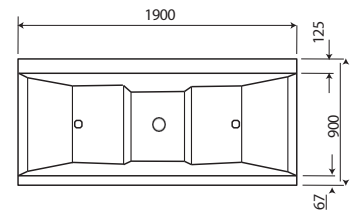
Antonia

910
1800 x 800 mm Capacity:
320 L (includes 1 person)



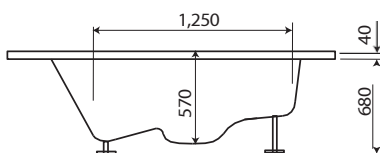
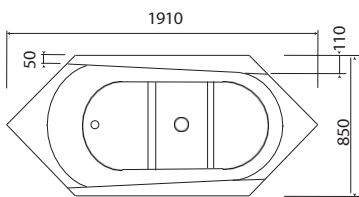
Antonia

920
1900 x 900 mm Capacity:
360 L (includes 1 person)



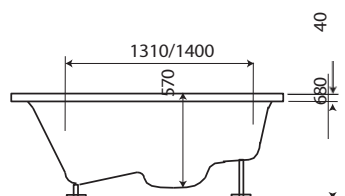
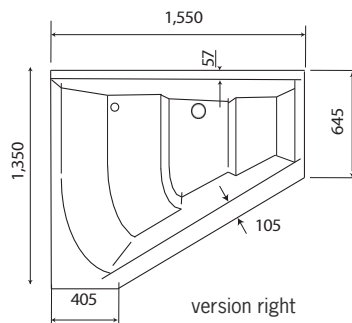
Bellona

930
1910 x 850 mm Capacity:
240 L (includes 1 person)



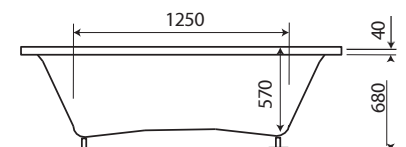
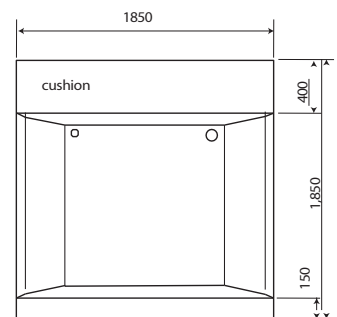
Vesta

940
1550 x 1350 mm Capacity:
375 L (includes 1 person)



Carmenta

950
1850 x 1850 mm Capacity:
440 L (includes 1 person)





THE VITAL BENEFITS OF A CLEOPATRA WHIRLPOOL

You've probably heard the stories about Cleopatra bathing daily in donkey's milk because it was said to keep her eternally young and healthy. Bathing has been practiced for centuries and is a common practice across various cultures, with relaxation, well-being, and health at its core.

The effects of taking a bath:

- Research into the psychological effects of bathing has shown that your body produces serotonin, the "happiness hormone," while in the bath. In addition, the warm water was found to relieve stress and thus lead to greater relaxation.
- Research from Radboud UMC attributes the feeling of relaxation to the effect of warm water on your body. This is because it causes the blood vessels in your skin to dilate. As a result, your heart rate and energy levels increase without you having to exert yourself. You burn more calories while taking a bath than you would, for example, while lying on the couch.

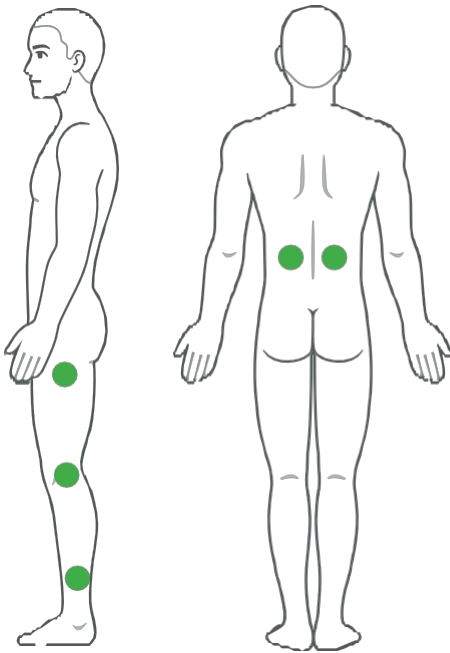
Benefits of a warm bath and/or whirlpool:

- **Burning calories** in a warm bath. As your core body temperature rises, so does your metabolism.
- **Relieving muscle soreness:** A warm bath soothes muscle soreness, and a whirlpool massages the muscles for faster recovery after exercise.
- **A good night's sleep:** Body temperature rises while taking a bath. This means that after a bath, the body must cool down again. This cooling-down process also occurs before going to sleep. In short, cooling down triggers the brain to relax.
- **Improved blood circulation:** In warm temperatures, your blood vessels dilate. This not only promotes sleep but also improves blood circulation throughout the body. The warm temperature also makes you sweat more quickly, which has a cleansing effect. Be sure to replenish the lost fluids: drink plenty of water.
- **Reducing stress and tension:** a soothing massage, possibly with the addition of essential oils, stimulates the senses.
-

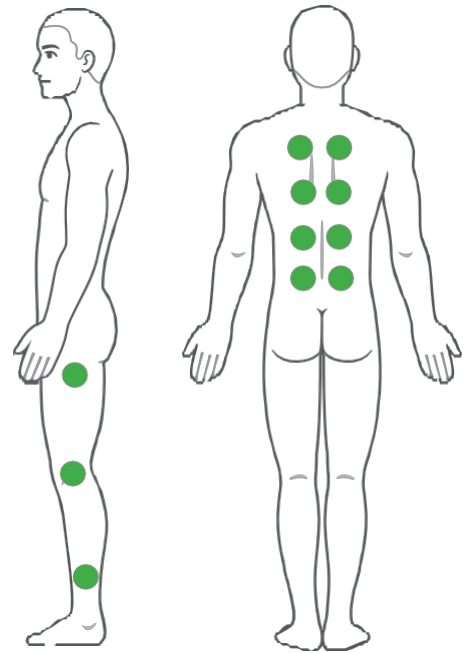
If you have any health concerns, always consult your doctor first before taking a bath.

Every whirlpool system in our lineup provides relaxation and massage. The effects of this massage, of course, depend heavily on the system used: air jets from the floor for a gentle, tingling massage, and hydro jets from the bath walls and floor for a powerful, effective targeted massage.

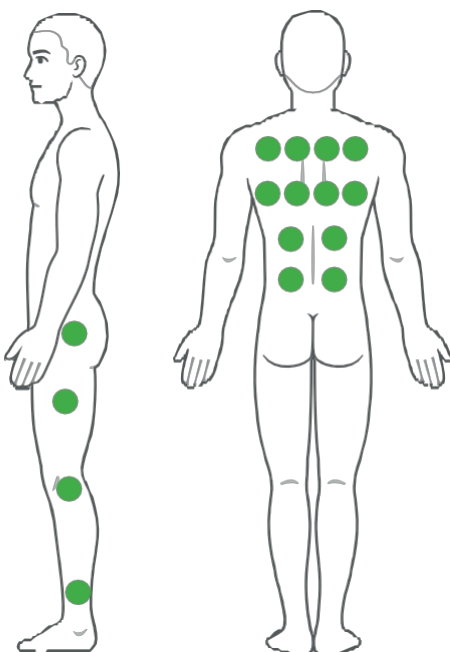
MASSAGE POINTS BY WHIRLPOOL SYSTEM



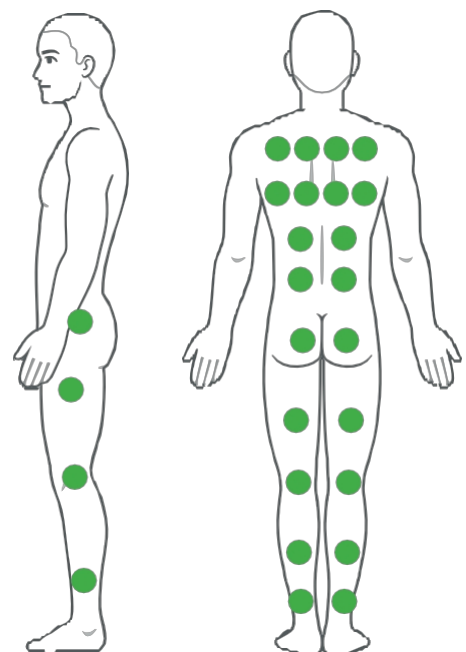
COMFORT WHIRLPOOL



RELAX WHIRLPOOL



MASSAGE WHIRLPOOL



FULL-BODY MASSAGE WHIRLPOOL

COMFORT WHIRLPOOLS

The Comfort Line whirlpools are high-quality massage tubs built without compromising on quality. Using the Poolmaster One control panel, you can easily turn the system on and off and adjust the intensity of the water or air jets in an instant.

The systems come standard with a number of basic functions and can be further expanded with options and accessories (depending on the system and tub type). The systems are also available in special finishes.



SPA SYSTEM

In this system, air is blown into the tub from the bottom—not straight up, but parallel to the tub floor—for an even greater massage effect. The result is a continuous stream of many thousands of sparkling air bubbles, both large and small, that massage the body.



HYDRO SYSTEM

The attractive small jets in the side wall are the hydro (water) jets, which produce a water stream that provides a powerful, massaging effect on your back, legs, and feet. The intensity can be adjusted (stronger or gentler) using the controls.



COMBI SYSTEM (SPA / HYDRO)

The combi system cleverly combines the powerful water jets from the sides with the bubbling effect of thousands of large and small air bubbles rising from the bottom. But if you prefer, you can also turn off either one!

COMFORT SPA



CONTROLS

Poolmaster One

INCLUDED

- Overflow/drain combination
- +/- for more or fewer bubbles
- Spa air injection

OPTIONAL

- Axor bath rim combination
- Walk-in combination
- 2x LED color lighting
- Control panel in black or gray; standard version is white
- Special finishes

ACCESSORIES

- Handles
- Neck cushions
- Bath oils

NUMBER OF JETS

The number and position of the jets are for reference only; please consult the table for the specific tub.

COMFORT HYDRO



CONTROLS

Poolmaster One

INCLUDED

- Overflow/drain combination
- +/- for stronger or weaker water jets

OPTIONAL

- Axor bath rim combination
- Walk-in combination
- 2x LED color lighting
- Bathtub heater
- Special finishes

ACCESSORIES

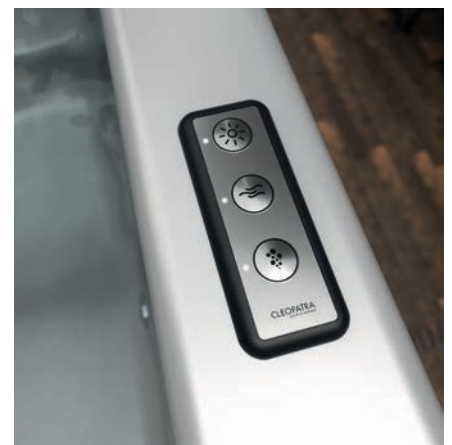
- Handles
- Neck pillow
- Bath oils

NUMBER OF JETS

The number and position of the jets are for reference only; please consult the table for the specific spa.



COMFORT SPA & HYDRO



CONTROLS

Poolmaster One

INCLUDED

- Overflow/drain combination
- +/- for more or fewer bubbles
- +/- for stronger or weaker water jets
- Spa air injection

OPTIONAL

- Axor bath edge combination
- Walk-in combination
- 2x LED color lighting
- Bathtub heater
- Special finishes

ACCESSORIES

- Handles
- Neck pillow
- Bath oils

NUMBER OF JETS

The number and position of the jets are for reference only; please consult the table for the specific tub.

RELAX WHIRLPOOLS

The Relax whirlpools are exclusive systems featuring elegant design elements, including a sleek glass touch control panel and small yet effective back and foot jets. The systems come standard with a number of basic functions and can be further enhanced with options and accessories (depending on the system and bath type). It is also possible to customize the colored components with special finishes.



SPA SYSTEM

In this system, air is blown into the tub from the bottom—not straight up, but parallel to the tub floor—for an even greater massage effect. The result is a continuous stream of many thousands of sparkling air bubbles, both large and small, that massage the skin's surface. Pulsating the air system is also a standard feature.



HYDRO SYSTEM

The attractive small jets in the tub wall are the hydro (water) jets, which deliver a stream of water that provides a powerful, massaging effect on your back, legs, and feet. Using the controls, you can adjust settings such as the pulsation and intensity (stronger or gentler).



COMBI SYSTEM (SPA / HYDRO)

The combi system cleverly combines the powerful water jets from the side of the tub with the bubbling effect of thousands of large and small air bubbles rising from the bottom. But if you prefer, you can also turn off either one!

RELAX SPA



CONTROLS

Poolmaster Touch

INCLUDED

- Overflow/drain combination
- +/- for more or fewer bubbles
- Spa air injection
- Spa pulsation

OPTIONAL

- Axor bath edge combination
- Walk-in combination
- 2x LED color lighting
- Control panel in black or gray; standard version is white
- Special finishes

ACCESSORIES

- Handles
- Neck cushions
- Bath oils

NUMBER OF JETS

The number and position of the jets are for reference only; please consult the table for the specific tub.

RELAX HYDRO



CONTROLS

Poolmaster Touch

INCLUDED

- Overflow/drain combination
- +/- for stronger or weaker water jets
- Hydro pulsation

OPTIONAL

- Axor bath rim combination
- Walk-in combination
- 2x LED color lighting
- Bathtub heater
- Special finishes

ACCESSORIES

- Handles
- Neck pillow
- Bath oils

NUMBER OF JETS

The number and position of the jets are for reference only; please consult the table for the specific spa.



RELAX SPA & HYDRO



CONTROLS

Poolmaster Touch

INCLUDED

- Overflow/drain combination
- +/- for more or fewer bubbles
- +/- for stronger or weaker water jets
- Spa air injection
- Spa and hydro pulsation

OPTIONAL

- Axor bath edge combination
- Walk-in combination
- 2x LED color lighting
- Bathtub heater
- Special finishes

ACCESSORIES

- Handles
- Neck pillow
- Bath oils

NUMBER OF JETS

The number and position of the jets are for reference only; please consult the table for the specific tub.

MASSAGE WHIRLPOOLS

The Massage whirlpool systems are unmatched in terms of performance and functionality. The systems are easily controlled via the digital display, and each system allows you to continuously adjust the intensity or set it to pulse.

The hydro and spa/hydro systems also come standard with the ^{Superwhirl®} function and a jet-cleaning feature (Cleo Clean) for optimal hygiene. If you'd like to further customize the tub with Bluetooth music, colored lighting, and heating, that's possible. It's also possible to finish the colored accents with special finishes.



SPA SYSTEM

In this system, air is blown into the tub from the bottom—not straight up, but parallel to the tub floor—for an even greater massage effect. The result is a continuous stream of many thousands of sparkling air bubbles, both large and small, that massage the surface of the skin.



HYDRO SYSTEM

The attractive small jets in the tub wall are the hydro (water) jets, which deliver a stream of water that provides a powerful, massaging effect on your back, legs, and feet. Using the controls, you can adjust settings such as the pulsation and intensity (stronger or gentler).



COMBI SYSTEM (SPA / HYDRO)

The combi system cleverly combines the powerful water jets from the bath wall with the bubbling effect of thousands of large and small air bubbles rising from the bottom. But if you prefer, you can also turn off either one!



SUPERWHIRL®

The Superwhirl® function was developed for the discerning user. When activated via the display, the hydro pump and the air blower turn on simultaneously, with all the air from the blower being blown directly into the venturi of the water jets. This creates a very powerful water jet that provides a firm, invigorating massage.

If desired, you can use the display to adjust the Superwhirl® function to be stronger or gentler, or to set it to pulse.

MASSAGE SPA



OPERATION

Poolmaster Deluxe

INCLUDES

- Overflow/drain combination
- +/- for more or fewer bubbles
- Spa air injection
- Spa pulsation

OPTIONAL

- Axor bath edge combination
- Walk-in combination
- 2x LED color lighting
- Special finishes
- Bluetooth audio module

ACCESSORIES

- Handles
- Neck cushions
- Bath oils

NUMBER OF JETS

The number and position of the jets are for reference only; please consult the table for the specific tub.

HYDRO MASSAGE



CONTROLS

Poolmaster Deluxe

INCLUDED

- Overflow/drain combination
- +/- for stronger or weaker water jets
- Hydro pulsation
- Superwhirl
- Cleo Clean

OPTIONAL

- Axor bath rim combination
- Walk-in combination
- 2x LED color lighting
- Bathtub heater
- Special finishes
- Bluetooth audio module

ACCESSORIES

- Handles
- Neck pillow
- Bath oils

NUMBER OF JETS

The number and position of the jets are for reference only; please consult the table for the specific spa.



MASSAGE SPA & HYDRO



CONTROLS

Poolmaster Deluxe

INCLUDED

- Overflow/drain combination
- +/- for more or fewer bubbles
- +/- for stronger or weaker water jets
- Spa and hydro pulsation
- Cleo Clean
- Superwhirl

OPTIONAL

- Axor bath rim combination
- Walk-in combination
- 2x LED color lighting
- Bathtub heater
- Special finishes
- Bluetooth audio module

ACCESSORIES

- Handles
- Neck pillow
- Bath oils

NUMBER OF JETS

The number and position of the jets are for reference only; please consult the table for the specific tub.

FULL-BODY MASSAGE WHIRLPOOL

Combi jets (air + water jets) in the bath floor direct stimulating bubbles and/or massaging water jets toward the entire body. The back, feet, legs, and hips are massaged from the back, feet, and sides with active water jets. You can adjust the rhythm and intensity of the hydro jets (water jets) and the spa jets (bubbles). You can also adjust the intensity of the massages the back, so you can, for example, receive a gentle massage on your back while your legs and feet are given a vigorous treatment. With this system, you have a very wide range of treatments at your disposal—from gentle, relaxing massages to highly active full-body treatments. This system comes standard with Superwhirl, CleoClean, and 2 hydro pumps.



SPA SYSTEM

In this system, air is blown into the tub from the bottom—not straight up, but parallel to the tub floor—for an even greater massage effect. The result is a continuous stream of many thousands of sparkling air bubbles, both large and small, that massage the surface of the skin.



HYDRO SYSTEM

The attractive small jets in the tub wall are the hydro (water) jets, which deliver a stream of water that provides a powerful, massaging effect on your back, legs, and feet. Using the controls, you can adjust settings such as the pulsation and intensity (stronger or gentler).



COMBI SYSTEM (SPA / HYDRO)

The combi system cleverly combines the powerful water jets from the bath wall with the bubbling effect of thousands of large and small air bubbles rising from the bottom. But if you prefer, you can also turn off either one!



FULL-BODY MASSAGE

A unique system developed by Cleopatra for the discerning user seeking a full-body massage. The water jets are located not only in the side walls but also in the floor—creating a delightful massage with adjustable intensity.

FULL BODY MASSAGE



CONTROLS

Poolmaster Deluxe

INCLUDES

- Overflow/drain combination
- +/- for more or fewer bubbles
- +/- for stronger or weaker water jets
- Spa + Hydro pulsation
- Cleo Clean
- Superwhirl
- 2 Hydro pumps

OPTIONAL

- Axor Bathtub Edge Combination
- Walk-in combination
- 2x LED color lighting
- Bathtub heater
- Special finishes
- Bluetooth audio module

ACCESSORIES

- Handles
- Neck pillow
- Bath oils

NUMBER OF JETS

The number and position of the jets are for reference only; please consult the table for the specific tub.

SUPERWHIRL®

The Superwhirl® function was developed for the discerning user. When activated via the display, the hydro pump and the air blower are turned on simultaneously, with all the air from the blower being blown directly into the venturi of the water jets. This creates a very powerful water jet that provides a firm, intense massage. If desired, you can use the display to adjust the Superwhirl® function to be stronger or gentler, or to set it to pulse.

Superwhirl® is standard on the Massage systems (hydro, spa/hydro) and Full Body Massage.



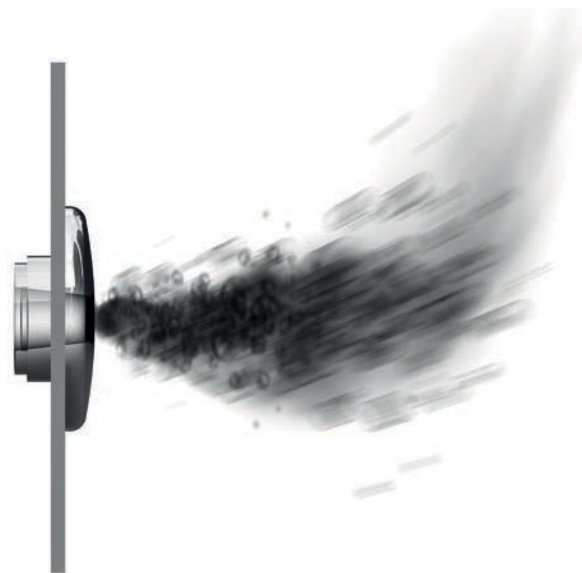
CLEOCLEAN

A clean whirlpool system is a great start to your next soak. Regularly rinsing the system with a Cleopatra cleaner is a great way to ensure years of bathing pleasure. To ensure that the pipes are blown out after use, we're introducing Cleo Clean. After each bath, both the air lines of the spa system and the lines of the hydro system are blown out. This ensures that any residual water is also blown out of the water jets. In short, it's the ideal way to maintain your system.

CleoClean comes standard with the Massage systems (hydro, spa/hydro) and Full Body Massage.



SPA EFFECT



HYDRO EFFECT



SUPERWHIRL®EFFECT

OXYNATION O² - OXYGEN BATH

A large number of very fine air bubbles are released into the tub from two points. The bathwater turns milky white due to the millions of tiny air bubbles. Your skin is pampered with a generous dose of oxygen. The result is intensive cleansing and regeneration of the skin, as well as a renewed sense of energy. A treat for both body and mind.

So why does oxygen work to make our skin softer and softer? The theory behind oxygen-rich beauty is that we all need oxygen to survive. Oxygen is what revitalizes and replenishes the cells in our bodies. However, due to pollutants in our environment, our oxygen levels have been significantly reduced. It's also a fact that as we age, oxygen doesn't reach our skin cells as efficiently, leading to the aging process.

If you want beautiful, radiant, clear skin, you need an O²experience. A 20-minute soak in our oxygen-enriched bath is all it takes for a wellness treatment like no other.





OXYNATION O²

Standalone system built into a bathtub or combinable with massage whirlpool systems.

OPERATION:

Poolmaster Deluxe

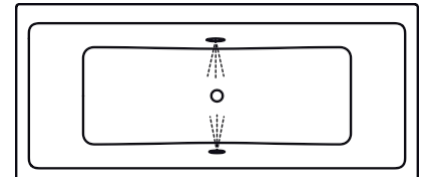
- On/Off
- 2 injection jets
- Pump
- Intake grille

OPTIONAL:

- Axor bath rim combination
- Overflow/drain/inlet
- RGB color lighting (2 spotlights)
- Bluetooth sound module

ACCESSORIES

- Handles
- Neck pillow



BUILT-IN WHIRLPOOL SYSTEM

Have you purchased a bathtub other than a Cleopatra model, but still want to enjoy a Cleopatra whirlpool system? If certain conditions are met, you can have the bathtub delivered to our installation center. You can customize the bathtub to your liking by choosing from a variety of options. Additional jets for foot or back massage, underwater lighting, and pulsation are just a few examples of available options.

Our guiding principle is always: we build the whirlpool exactly as you want it. We exclusively install whirlpool systems in acrylic bathtubs. Please inquire about the possibilities in advance.



PROFESSIONAL USER

Cleopatra offers a complete line of elegant bathtubs and whirlpools designed to meet the high standards and specific needs of professional users. As a professional user, you value the comfort, luxury, and aesthetic appeal of bathtubs and whirlpools. You also have high expectations regarding hygiene, ease of use, durability, and efficiency.

You'll find Cleopatra products in various hotels, fitness centers, public saunas, and vacation parks. We design a custom system for each client to ensure that all requirements and preferences are met.

Find out more about the possibilities.





OPTIONS & ACCESSORIES

Extra Spa Jets

For whirlpools from the Comfort or Deluxe line, spa system.

Additional jets are installed in sets of two.



Extra Hydro Jets

Would you like two additional jets for your feet or back? The possible positions for additional hydro jets are indicated in the drawing for each tub.

Please note the maximum number of jets specified for each tub.

Additional jets are installed in sets of two.



LED color lighting 2 pieces

A highlight while you relax in the tub. This atmospheric feature surrounds your body with an exciting interplay of twinkling and changing lights:

You can enjoy the colors purple, yellow, blue, red, and green either continuously or in sequence.



Bath Oils

These skin-nourishing bath oils are specially formulated for use in whirlpools; they are gentle on your skin and do not damage the whirlpool system.

Available in the following scents:

Mediterranean
Cleopatra's Perfume
Dried Wood
Eucalyptus
Bergamot



Hydro Bath Heater

With Hydro bath heating, you can keep the bath water at a constant temperature. The heating operates smoothly in tandem with the hydro controls.

The standard power rating is 1.5 kW.

Exception: 2 kW for the Luxus Almeda, Spenida, Magadi, and LoungePool 850 models.

Bathtub heating not available:
→ Freestanding tub
→ Spa system

Handle

The elegantly shaped handrails make it easier to get in and out of the tub.



Neck pillow

Rest your head on this soft, comfortable pillow, and the material will mold to the shape of your head. The pillow is made of waterproof foam. (Usage depends on the bathtub model)



Whirlpool Cleaner

Specially formulated for cleaning whirlpool systems.



OPTIONS & ACCESSORIES



Poolmaster One



The Poolmaster One is a flat control panel that mounts on the edge of the tub. This control panel comes standard with the Comfort systems and is easy to use. You can adjust the intensity of the air or water by holding down the symbol for a longer time. Depending on the selected system and options, the following functions are available: air, water, plus/minus, and lighting.

Poolmaster Touch



The Smart Relax whirlpools feature the Poolmaster Touch: a luxurious, extremely practical glass control panel. The control panel is designed for optimal ease of use and hygiene. The symbols on the control panel light up when lightly touched. Depending on the selected system and options, the following functions are available: air, water, plus/minus, pulsation, O²microbubbles, and lighting.

Poolmaster Deluxe



The Massage whirlpools feature the Poolmaster Deluxe: a luxurious, highly practical digital glass control panel. The control panel is designed for optimal ease of use and hygiene. The symbols on the control panel light up when lightly touched. Depending on the selected system and options, the following functions are available: air, water, plus/minus, pulsation, O²micro-bubbles, and lighting.

LED Lighting Control



With the LED lighting option—for a tub without a system—a round chrome control knob is located on the entry side of the tub. This knob, such as on/off, color switching, and locking the colors red, green, blue, purple, and yellow.

Faucets & bathtub rim combination



The faucets (fixtures) on Cleopatra bathtubs are by Axor, the flagship brand of Hansgrohe, the leading manufacturer of faucets.

This pre-assembled bath-edge thermostat with hand shower is available in the most common Axor models and comes complete with:

- A thermostat
- Recessed hand shower
- Stop and diverter valve

See page 74 for more information on the various color finishes.

Cleoplus



Luxury overflow & drain combination

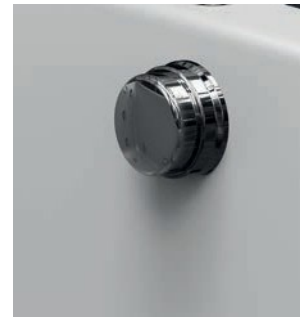
This overflow/drain combination comes standard with:

- All Cleopatra tubs with a whirlpool system
- All Luxus Line and LoungePool bathtubs without a system

The Cleoplus is also available as **an option** for bathtubs without a system:

- Premium Line
- WellPool

Cleofill



Luxury overflow, drain, and walk-in combination

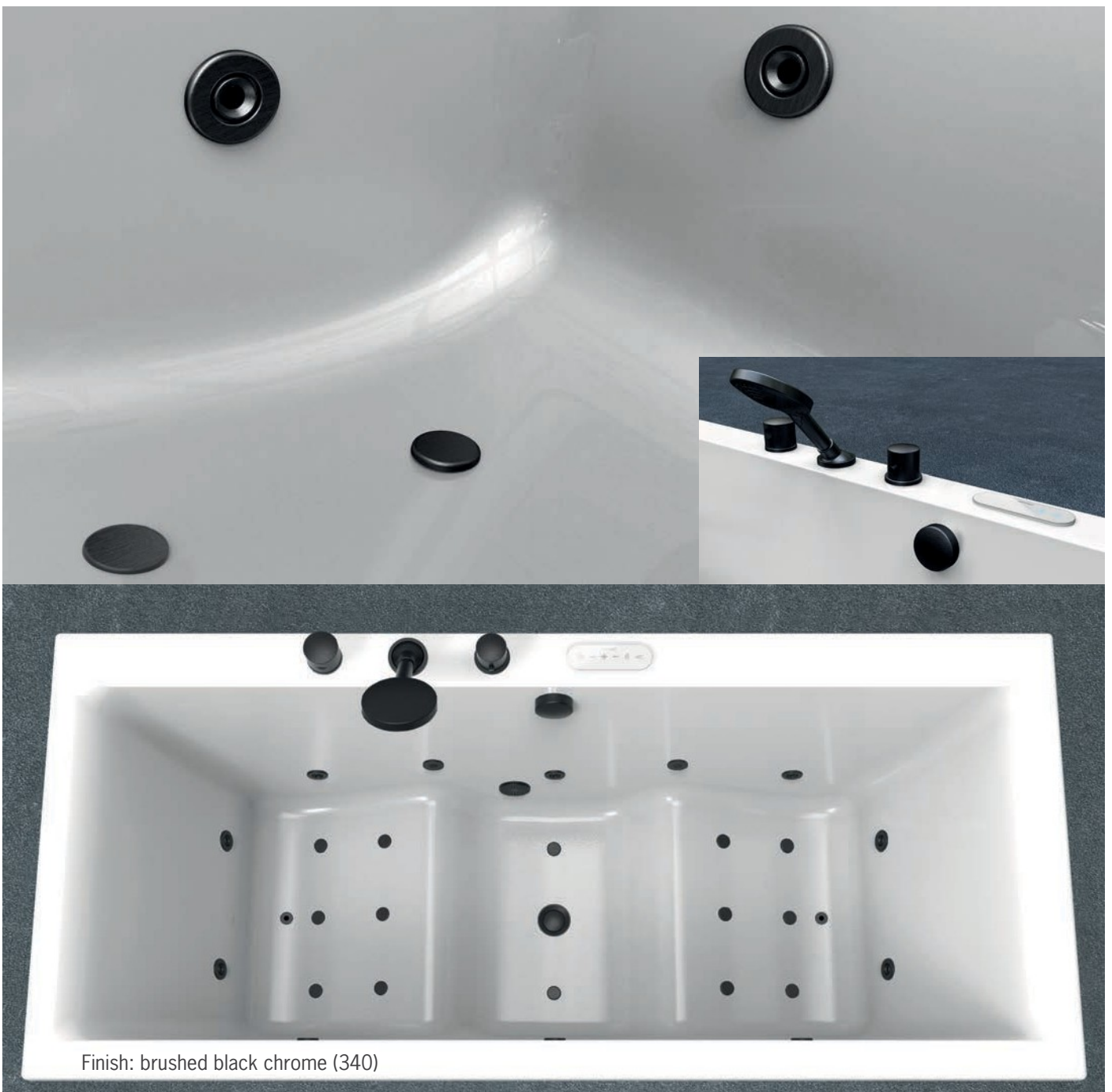
This overflow, drain, and inlet combination comes standard with:

- All tub rim combinations (faucets)

Instead of a faucet spout on the bathtub rim, you can choose this bathtub filling combination. With this setup, the tub is filled through the overflow, which also functions as a fill combination and serves as a drain combination.

SPECIAL FINISHES






Sometimes products and collections need a small change to help you design your bathroom even more to your own taste. With Cleopatra special finishes, we customize our products with an eye for detail according to the customer's personal wishes. These can include acrylic surfaces, as well as specially colored built-in components for the bathtub or whirlpool. Special finishes are available for every bathtub and whirlpool (with the exception of freestanding bathtubs).

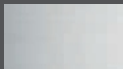

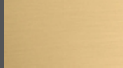

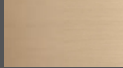
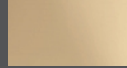
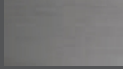
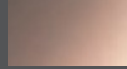


COLORED PARTS	ITEM NUMBER
Bathtub without whirlpool system with overflow/drain combination	83001810
Bathtub without whirlpool system with overflow/drain/walk-in combination	83001815
Bathtub with spa system	83001820
Bathtub with hydro system	83001830
Bathtub with spa/hydro system	83001840
Bathtub with Full-Body Massage System	83001850
Bathtub edge combination (includes overflow/drain/inlet combination)	83001860

The high-quality finish colors are produced using PVD technology: a modern and environmentally friendly process for creating unique surfaces. Compared to electroplated chrome surfaces, this coating is more resistant to scratches and cleaning agents and less susceptible to corrosion.

Customize your bathtub with the various colors available in our configurator: www.cleopatra.nl.

stainless steel optic - 800			polished chrome - 020
brushed gold optic - 250			polished gold optic - 990
brushed bronze - 140			polished bronze - 130
brushed black chrome - 340			polished red gold - 300

Go for sleek and
Minimalist design!



Easyfill

The Easyfill bath rim combination features a sleek design and is easy to use. It comes standard with the Raindance Select E or S hand shower.

The colored LED on one of the two control buttons indicates the water temperature; the other button controls the flow rate and switches to the hand shower. And with a single press, the faucet stops the water flow.



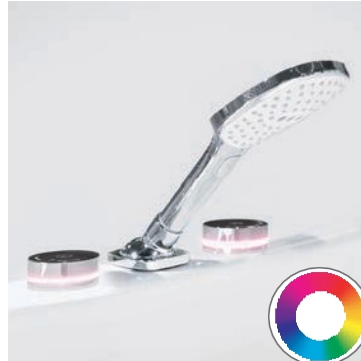
BATH EDGE SETS

Organic



Bath rim thermostat in a top-of-the-line design by renowned designer Starck. Includes Raindance Select E/S hand shower

Easyfill



Luxury bath rim combination; modern and minimalist. Includes Raindance Select E/S hand shower

Citterio E



Designer bath rim thermostat by the renowned Italian designer Citterio.

Uno²



Bath rim thermostat, sleek and suitable for any bathroom design.

Starck



Bath rim thermostat featuring a tier design by renowned designer Starck.

Metropol



Modern bath mixer with diverter and handheld showerhead.

Hand Showers



Raindance Select S 120 3-jet hand shower.

Available in chrome as standard



Raindance Select E 120 3-jet hand shower.

Available in chrome as standard



Axor Starck hand shower 2-jet.

Available in chrome as standard

Other colors and/or finishes available upon request.



Eucalyptus
ESSENTIAL OIL

BATH OILS & WHIRLPOOL CLEANER

High-quality bath oils that are gentle on your skin and whirlpool system. The bottles are available in 250 ml packages. Always read the label for the correct dosage before use. Available in the following scents: Mediterranean, Cleopatra’s Perfume, Dried Wood, Bergamot, Eucalyptus.

The Whirlpool Cleaner effectively cleans your whirlpool system. Depending on usage, it is recommended to regularly flush your system with the Cleaner after each bath. Repeat this cycle if the system is heavily soiled. The use of foam, shampoo, and oily bath oils increases the need for regular cleaning.

Acryl Polish is designed to remove minor scratches and imperfections from acrylic surfaces. Deep scratches and damage should be repaired by a specialist; please contact us for assistance.

BATH OIL & CLEANERS	ITEM NUMBER
Mediterranean 250 ml	22165110
Cleopatra’s Perfume 250 ml	22165120
Dried Wood 250 ml	22165130
Bergamot 250 ml	22165140
Eucalyptus 250 ml	22165145
Set of 5 different scents (5 x 250 ml)	22165150
Whirlpool cleaner 1 liter	22165340
Acrylic Polish 500 ml	22165360

TECHNICAL INFORMATION

REQUIRED TECHNICAL SPECIFICATIONS

Always read the manual before installation; the latest version can be found on the website: www.cleopatra.nl.

When installing a Cleopatra whirlpool, it is important that air from a heated room can flow under the tub. For any service work, a service hatch (min. 500 x 500 mm) must be present at the level of the spa blower/pump. In addition, the 230V electrical connection and water supply must comply with regulations.

Spa blower	800 W
Hydro pump	1150 W
Hydro heater	1,500 W/2,000
W* Oxynation O ²	1,350 W

For a combined system, you must add the power ratings together. Using combined systems may require an additional service hatch; please inquire about this.

*The higher power ratings apply to tubs with a capacity of more than 400 liters.

WARRANTY

All Cleopatra bathtubs, whirlpools, and faucets come standard with a 2-year manufacturer's warranty.

CLEOPATRA AND COLOR

All bathtubs and whirlpools are available in the standard bathroom color: white. The fixtures and visible parts come in chrome as standard, with special finishes available as an option.

HYGIENE

Cleopatra whirlpools have two key features that ensure maximum hygiene without the need for chemicals. The water hoses connected to the hydro jets drain completely, ensuring that all water is removed from the hoses.

In addition, all water is automatically blown out of the air system after taking a bath (post-rinse function).

We recommend that you take a shower before using a whirlpool system. This helps minimize the amount of hair and dirt that enters the system.

USE OF BATH OILS & CLEANER

Cleopatra bath oils are specially formulated for use in the bath and in combination with a whirlpool system.

You can clean the whirlpool system with the designated whirlpool cleaner. After a bath, you can add the cleaner to the tub and turn the system back on.



FREESTANDING BATHTUBS

Cleopatra's freestanding bathtubs are a beautiful addition to any bathroom. Exclusive freestanding bathtubs made of seamless acrylic, including an overflow/drain combination. Quality, design, and durability in 10 different bathtub shapes. Choose the model that best suits you and your bathroom.

The freestanding bathtubs are easy to install, lightweight, and low-maintenance.





Bathtubs inLuxury

FREESTANDING BATHTUBS OVERVIEW



Ameland 200
1600 x 800 x 450 mm



Fiji 210
1670 x 790 x 450 mm



Martinique 220
1770 x 900 x 420 mm



Tahiti 230
1700 x 750 x 440 mm



Texel 240
1600 x 800 x 460 mm



Corsica 250
1800 x 785 x 400 mm



La Palma 260
1700 x 800 x 450 mm



Pelican 270
1800 x 800 x 430 mm



Madeira 280
1600 x 750 x 450 mm



Reunion 290
1800 x 800 x 425 mm

AMELAND 200



(exterior) 1600 x 800 x 450 mm
(bottom) 1050 mm

2300 18 00



FIJI 210



(exterior) 1670 x 790 x 450 mm
(bottom) 1110 mm

2300 17 00



MARTINIQUE 220



(exterior) 1770 x 900 x 420 mm
(bottom) 1280 mm

2300 15 00



TAHITI 230



(exterior) 1700 x 750 x 440 mm
(bottom) 1360 mm

2300 14 00



Dimensions and dimension drawing on page 108.

TEXEL 240



(exterior) 1600 x 800 x 460 mm
(bottom) 1270 mm

2300 16 00



CORSICA 250



(exterior) 1800 x 785 x 400 mm
(bottom) 1480 mm

2300 11 00



LA PALMA 260



(exterior) 1700 x 800 x 450 mm
(bottom) 1180 mm

2300 12 00



PELICAN 270



(exterior) 1800 x 800 x 430 mm
(floor) 1060 mm

2300 13 00

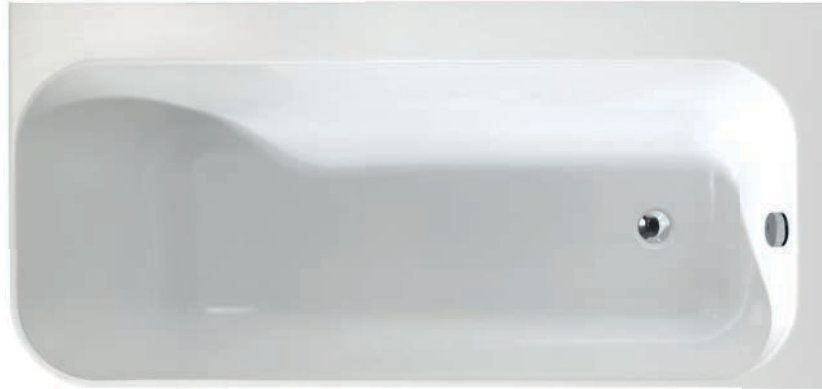


MADEIRA 280



- 2300 18 35 Rounded corners on the left and right
- 2300 18 20 Rounded corners on the left for corner installation
- 2300 18 30 Right-side trim for corner installation

(exterior) 1600 x 750 x 450 mm
 (bottom) 1245 mm



REUNION 290



(exterior) 1800 x 800 x 425 mm
(bottom) 1290 mm

2300 18 40



WHIRLPOOL IN A FREESTANDING BATHTUB

If you choose a freestanding tub, a whirlpool system is available in the following models:

- Ameland
- La Palma
- Tahiti
- Pelican
- Reunion
- Madeira

Given the limited space beneath the tubs, it is possible to install a spa system. This system blows air into the tub from the bottom. The result is a continuous stream of many thousands of sparkling air bubbles—both large and small—that massage the body. The system is quiet and easy to operate with an on/off switch.



SPA MINI



OPERATION

On / Off

INCLUDED

- Overflow/drain combination
- Spa air injection

ACCESSORIES

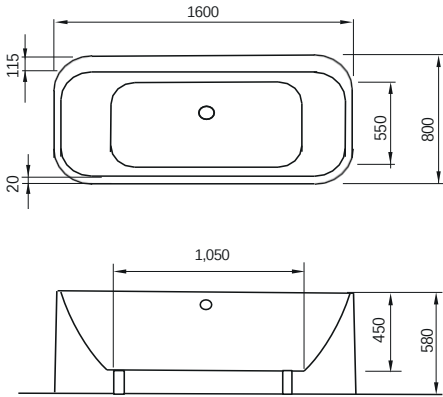
- Bath oils

NUMBER OF JETS

16 mini air jets

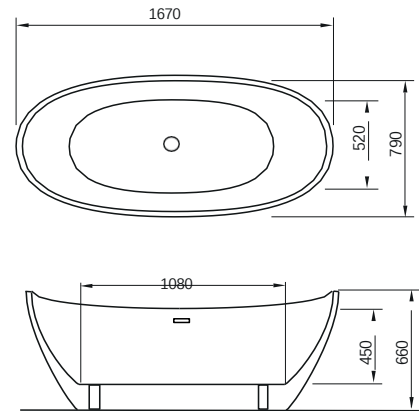
Ameland 200

1600 x 800 x 450 mm
282 liters · 63 kg



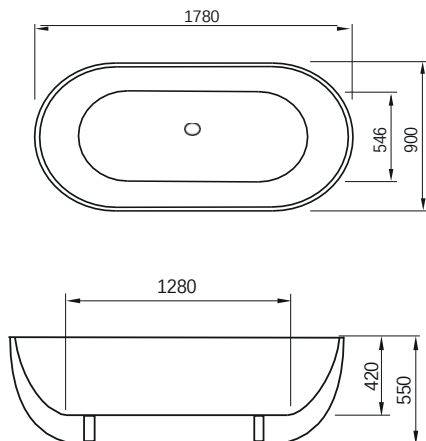
Fiji 210

1670 x 790 x 450 mm
256 liters · 67 kg



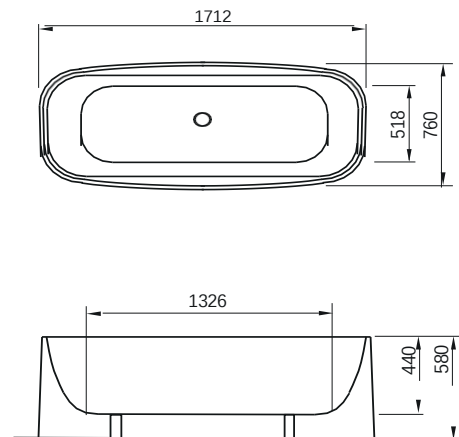
Martinique 220

1770 x 900 x 420 mm
256 liters · 67 kg



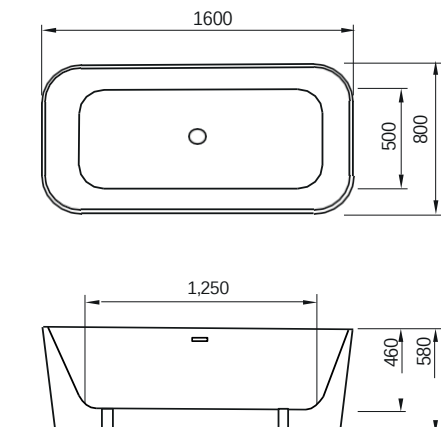
Tahiti 230

1700 x 750 x 440 mm
325 liters · 55 kg



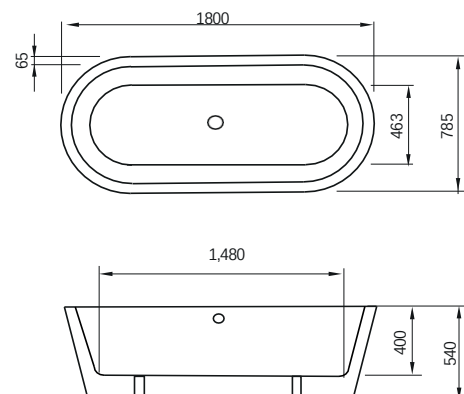
Texel 240

1600 x 800 x 460 mm
317 liters · 55 kg



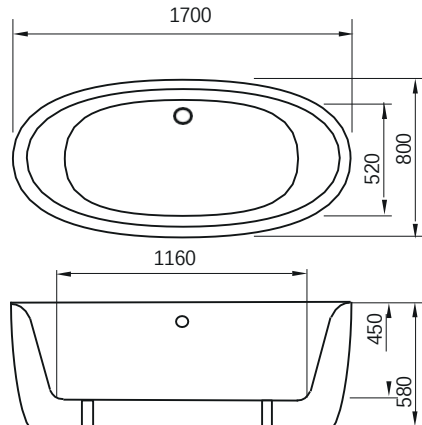
Corsica 250

1800 x 785 x 400 mm
235 liters · 65 kg



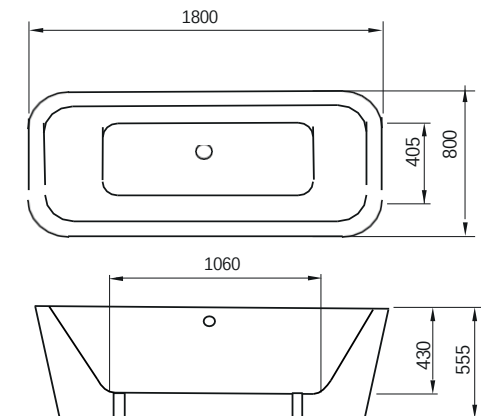
▲ **La Palma 260**

1700 x 800 x 450 mm
222 liters · 51 kg



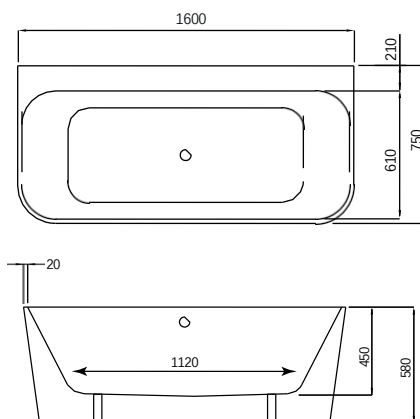
▲ **Pelican 270**

1800 x 800 x 430 mm
218 liters · 46 kg



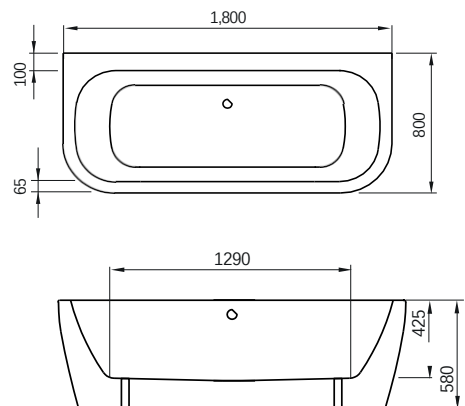
▲ **Madeira 280**

1600 x 750 x 450 mm
251 liters · 50 kg



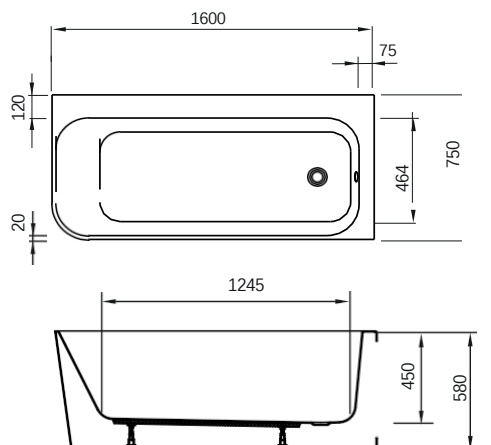
▲ **Reunion 290**

1800 x 800 x 425 mm
242 liters · 60 kg



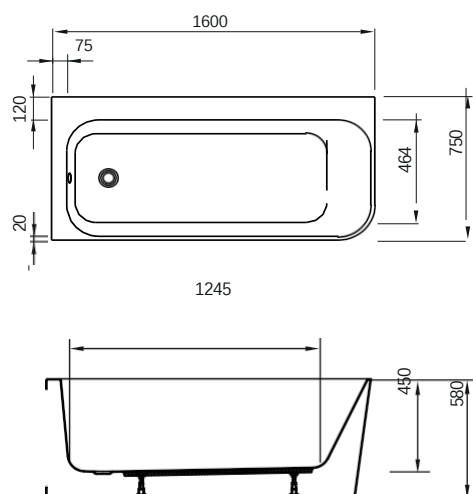
▲ **Madeira 280 (right-hand)**

1600 x 750 x 450 mm
251 liters · 50 kg



▲ **Madeira 280 left**

1600 x 750 x 450 mm
251 liters · 50 kg



TECHNICAL INFORMATION

REQUIRED TECHNICAL INSTALLATIONS

When installing a Cleopatra freestanding bathtub, it is important that there is a drain located beneath the tub. This drain can be connected to the tub's overflow/drain using a flexible hose. For any service work, you can carefully lay the tub on its side.

WARRANTY

All Cleopatra bathtubs, whirlpools, and faucets come standard with a 2-year manufacturer's warranty.

CLEOPATRA AND COLOR

All bathtubs and whirlpools are available in the standard bathroom color: white. The fixtures and visible parts come in chrome as standard, unless otherwise specified.

HYGIENE

Cleopatra whirlpools have two key features that ensure maximum hygiene without the need for chemicals. The water hoses connected to the hydro jets drain completely, ensuring that all water is removed from the hoses. Additionally, all water is automatically purged from the air and water system after taking a bath (Cleo Clean).

We recommend that you take a shower before using a whirlpool system. This helps minimize the amount of hair and dirt entering the system.

USE OF BATH OILS & CLEANER

Cleopatra bath oils are specially formulated for use in the bath and in combination with a whirlpool system.

You can clean the whirlpool system with the designated whirlpool **cleaner**. After a bath, you can add the cleaner to the tub and turn the system back on.





Cleopatra offers the perfect wellness experience for private spaces. Smart solutions for a range of unforgettable moments of personal well-being and relaxation.

For more information about Cleopatra, visit our website at www.cleopatra.nl or contact the Cleopatra branch or partner in your country.

Cleopatra B.V. · Oostzijde 295 · 1508 EN Zaandam · The Netherlands
Tel. +31 (0)75 6478200 · info@cleopatra.nl · www.cleopatra.nl

Cleopatra

Since 1966, Cleopatra has been the Dutch manufacturer of luxury, high-quality wellness products. Our product range includes steam/shower cabins, custom steam solutions, bathtubs, whirlpools, saunas, infrared cabins, and spas. We serve both consumers and the professional market. Cleopatra's primary source of inspiration is water, with the consumer's need for relaxation as our top priority. To ensure quality, all our products are manufactured in-house by skilled craftsmen. In addition, we subject all manufactured products to a comprehensive and thorough quality test. With our passion for the product and our many years of experience, we guarantee the highest quality and durability of all Cleopatra products.

Showroom

To get a good impression of our products, we highly recommend visiting our showroom and Wellness Experience Center in Zaandam. The vast majority of our product range is clearly displayed here for you. Our experienced staff will be happy to welcome you and offer advice.

Wellness Experience Center

Try out wellness products for the bathroom for yourself. Shower, steam, sauna, infrared, or bath—it doesn't matter. Experience the sensation of bubbling water, the beauty of the flowing design, the invigorating scents of the steam cabin, and the massaging power of the latest whirlpool system.

Personalized Advice

To ensure you receive the best advice, we also offer the option of having a Cleopatra wellness consultant visit your home to explore the possibilities for the ideal design of your wellness space. Please contact our office staff to schedule a consultation.

For more information, call 075-6478200 or visit www.cleopatra.nl