

# CLEOPATRA

world of wellness



Relax in luxury

ICE FOUNTAIN

[www.cleopatra-wow.com](http://www.cleopatra-wow.com)



# TABLE OF CONTENTS

Ice in a Wellness Environment	4
Applications of Ice	6
Ceiling Installation	8
Wall installation	10
Technical Information	13
Drawings	14

# ICE IN A WELLNESS ENVIRONMENT

In a professional wellness environment, ice is an essential part of the thermal experience. After a sauna, steam bath, or infrared session, using ice helps the body cool down in a controlled manner. This stimulates blood circulation, provides an intense feeling of freshness, and contributes to faster physical recovery.

Ice can be dispensed via an ice fountain, a crushed-ice machine, or an ice wall, allowing guests to apply the desired amount of ice to their bodies themselves.

This combination of heat and cold provides a complete wellness experience and enhances relaxation and vitality.

Muscles relax, the skin feels firmer, and pores close, resulting in a fresh and well-groomed appearance.

In addition, the cold stimulus clears the mind: it increases alertness and provides a pleasant boost to your energy and well-being.

In short: an ice treatment after the sauna is a refreshing ritual that promotes recovery, stimulation, and ultimate relaxation.

## The ice machines come in various models:

- Ice production ranging from 150 kg to 375 kg per day
- Choice of ice size
- Various dispensing options
- 230V - 1N - 50 Hz

## Applications:

- Direct application as an ice scrub on the skin
- Generating steam on a sauna heater. The ice is shaped into an ice ball with essential oil, which is placed on the sauna heater.
- Place an ice bucket under the steam inlet for intense steam generation.

## Ideal ice crystals:

- Temperature of -0.5 Celsius for gentle cooling
- Micro ice
- Granular ice without sharp edges

Whether you're looking for a complete steam cabin, a hammam, or just the steam technology—you'll find it all at Cleopatra. Wellness specialist since 1966.



# USES OF ICE

- Cooling down the body after a sauna or steam bath session.
- Stimulating blood circulation through the alternation of heat and cold
- Refreshing the skin and closing the pores.
- Promoting muscle recovery after sports or physical exertion.
- Reducing muscle soreness and swelling.
- Supporting the immune system through cold therapy.
- Lowering body temperature in hot weather or after intense exercise.
- Relieving mild inflammation and pain.
- Used in wellness centers as part of a hot-cold wellness circuit.





# CEILING MODEL

In the ceiling-mounted version, the ice machine is stylishly and space-efficiently integrated directly beneath the ceiling. The connections for water, drain, and electricity are routed invisibly through the floor and the column to the machine, resulting in a sleek and polished finish.

Adequate ventilation and easy access are essential for optimal performance and a long service life. That is why we always recommend including a service hatch, so that maintenance and any service work can be carried out quickly and easily.

The standard package includes the ice machine, a stainless steel discharge pipe, and a sensor. For a complete and high-quality finish, various options are also available, including a stylish machine enclosure, a designer column, integrated LED lighting, and a drip tray.

The drip tray is available in elegant white Solid Surface, transparent blue, or a tileable version, ensuring it perfectly complements the design and aesthetic of any wellness space.





# WALL MODEL

In the wall-mounted version, the ice machine is discreetly installed behind a wall, creating a sleek and stylish look. The connections for water, drain, and electricity are neatly routed through the floor and the column to the machine, keeping all technical components completely out of sight.

This version offers a significant advantage over the ceiling-mounted version: the ice machine can be installed at a lower height. This makes it the ideal solution for wellness areas where ceiling height is limited.

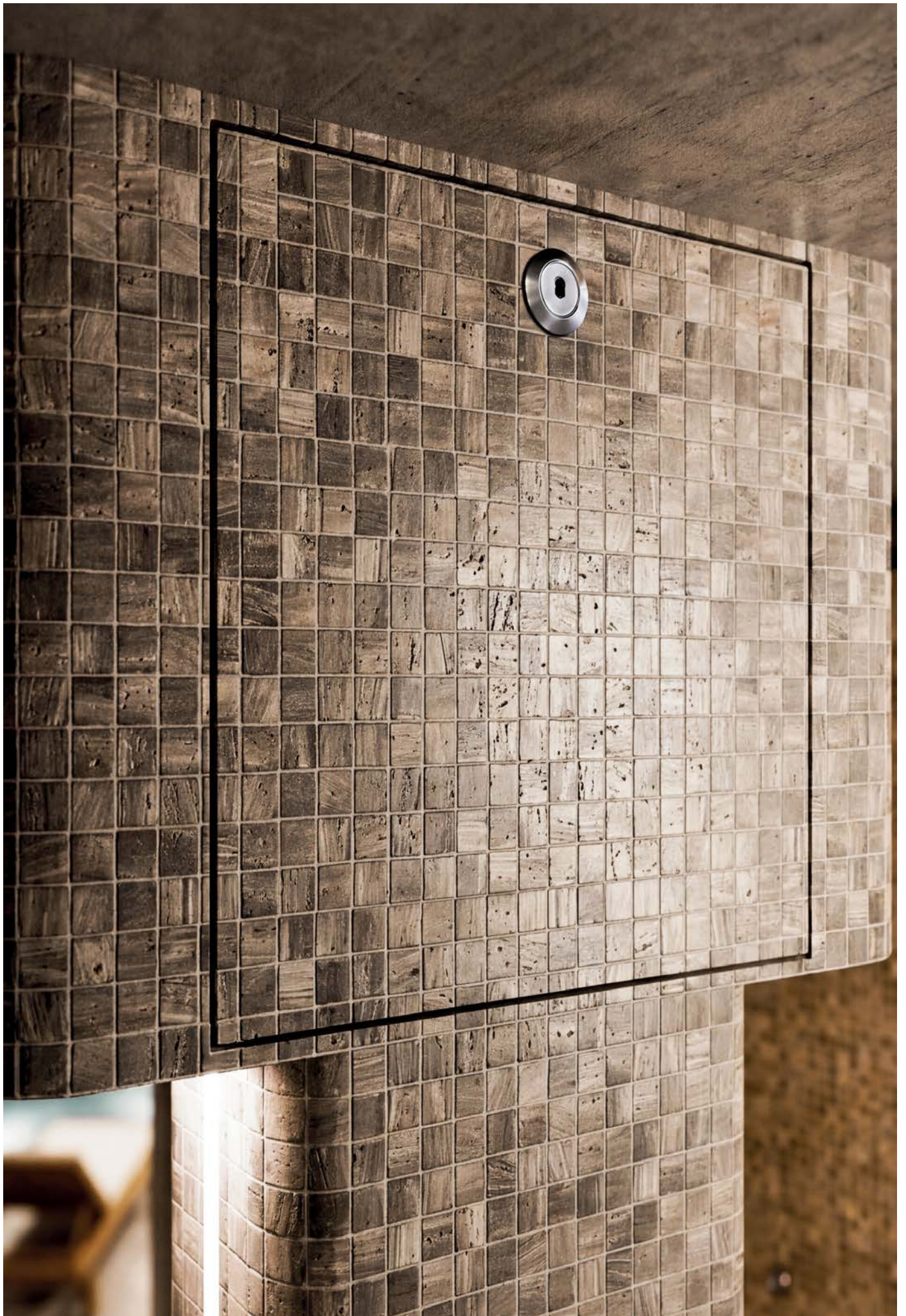
To ensure optimal performance, proper ventilation, and a long service life, it is important that the machine remains easily accessible. That is why we always recommend including a service hatch, so that maintenance and any service work can be performed easily.

The standard package includes the ice machine, a stainless steel discharge pipe, and a sensor. For a complete and luxurious finish, various accessories are available, including a machine enclosure, a design column, integrated LED lighting, and a stylish drip tray.

The drip tray is available in elegant white Solid Surface, transparent blue, or a tileable version, ensuring it blends seamlessly with the design and aesthetic of any wellness space.







# TECHNICAL INFORMATION

Our industrial crushed ice machines are manufactured in Germany and have been renowned for their reliability and high quality since 1966. The specified production capacity is guaranteed under realistic conditions (+20°C ambient temperature and +15°C water temperature), although in practice even higher yields are often achieved.

A suitable installation environment is essential for optimal performance. The machines are air-cooled as standard and designed for efficient operation within the specified temperature ranges. At higher temperatures, production may decrease and service life may be affected. In such cases, water-cooled or split-system models are available, tailored to your specific situation.

## Installation Options

There is a choice of various models and configurations, including flexible solutions where components can be installed separately. It is important to determine where the ice machine can be placed. The ice can be discharged in various ways.

## Choice of Ice Type

Depending on the application, you can choose between standard ice or micro-ice. Micro-ice has a larger contact surface, works faster, and feels softer, making it particularly suitable for wellness and sauna applications. Standard ice melts more slowly and is drier to use.

## Application and Usage

For ice scrubs, an average of 0.5 kg of ice is used for the arms and legs and approximately 1 kg for a full-body treatment.

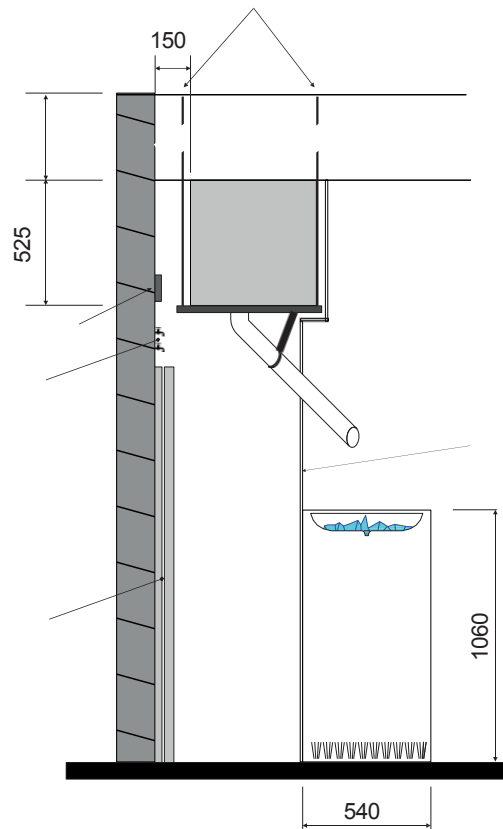
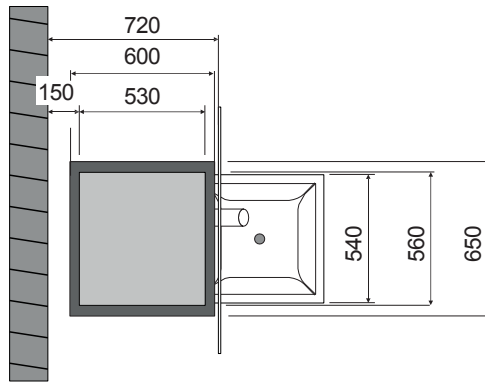
## Hygiene and Water Quality

To ensure optimal performance and hygiene, the machines come equipped with an advanced water filtration system. This prevents contamination, bacterial growth, and limescale buildup, and helps extend the system's lifespan.

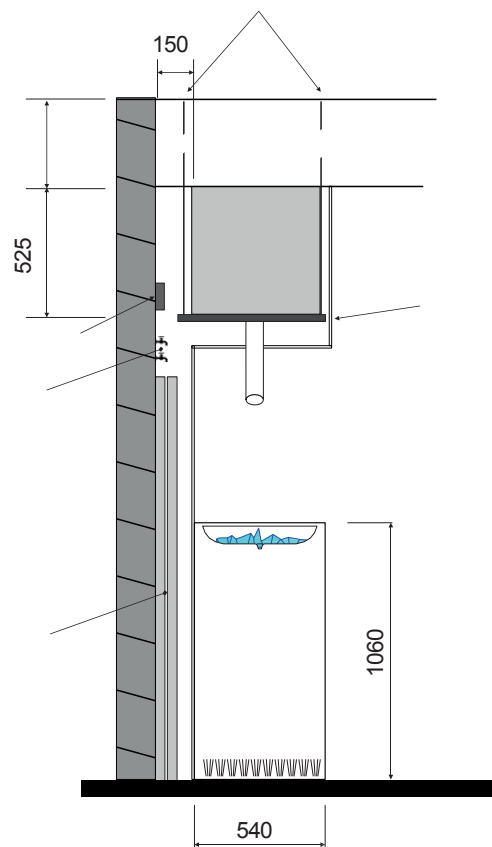
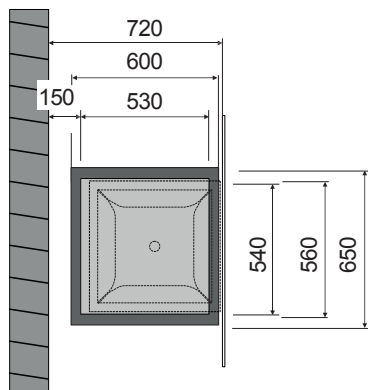
## Sustainable Refrigerant

The machines come standard with an environmentally friendly, natural refrigerant that has a very low environmental impact.

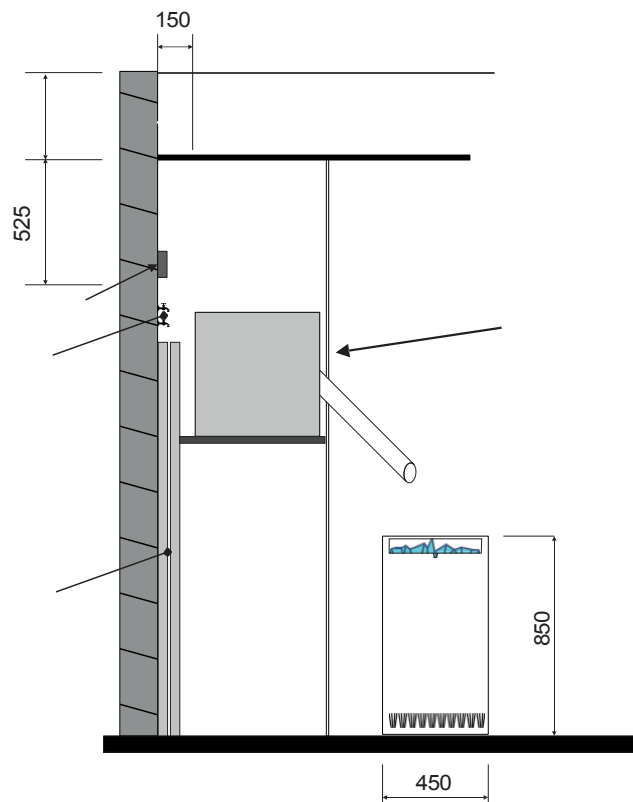
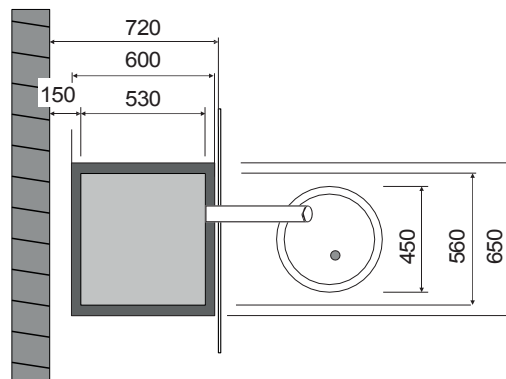
# CEILING MOUNT - SIDE OUTLET



# CEILING MOUNT - UNDER OUTLET



# WALL-MOUNTED SIDE OUTLET





**CLEO PATRA**  
world of wellness